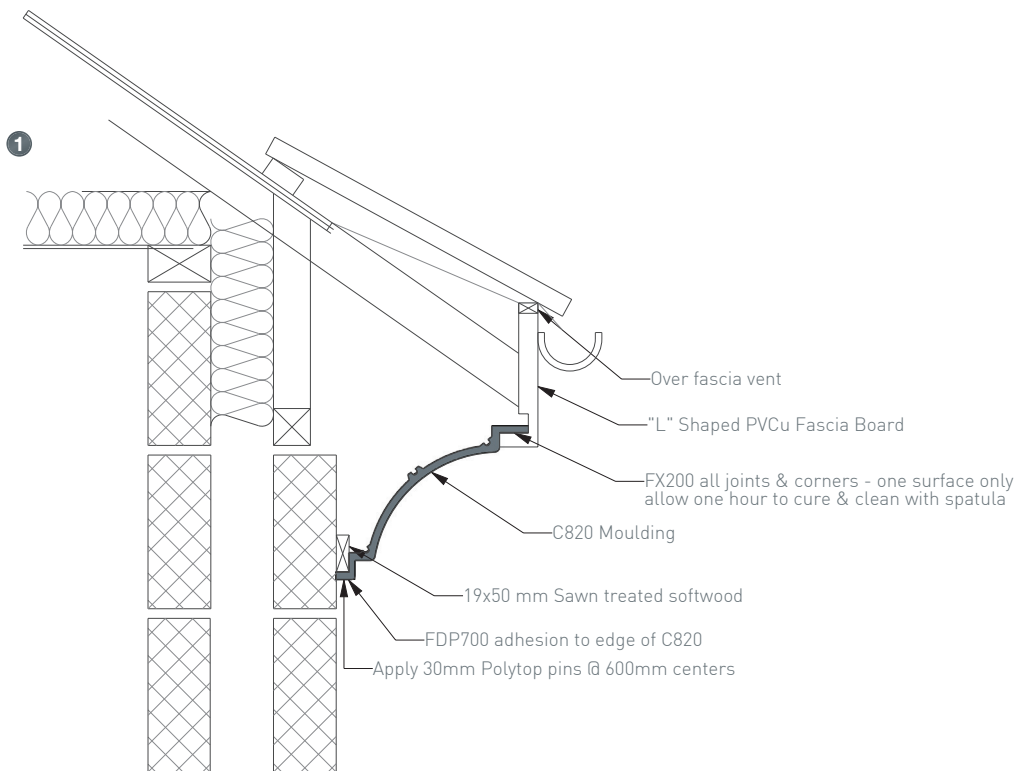
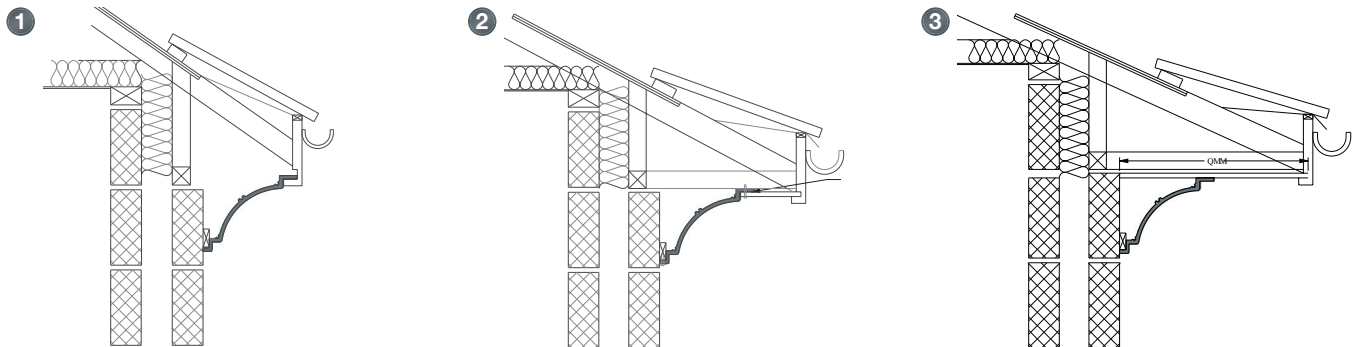




## C820 FIXING DETAILS

3 DIFFERENT WAYS TO INSTALL THE C820 CORNICE MOULDING



XTERIO  
COLLECTION



Compatible products to C820:

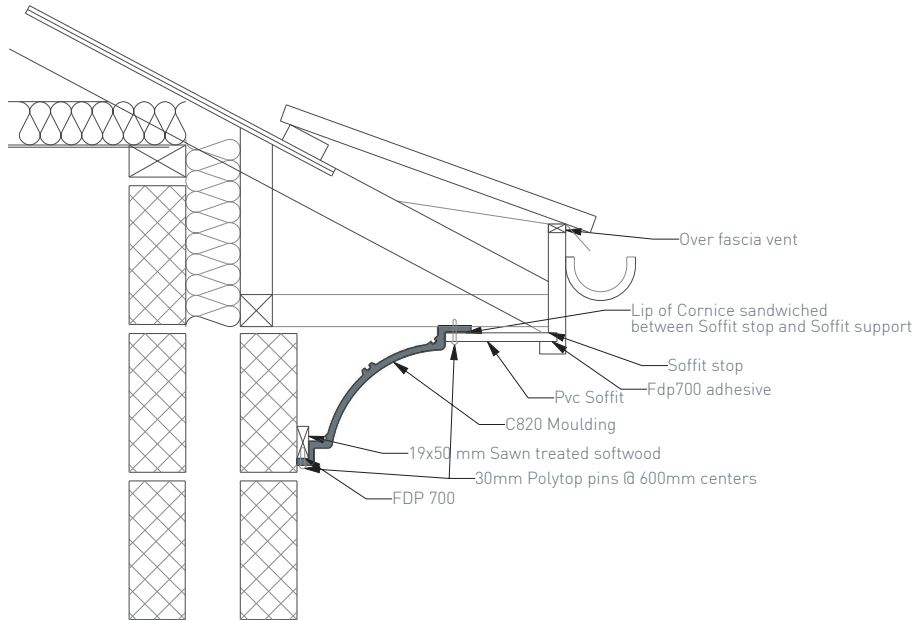
More information on  
[www.oracdecor.com](http://www.oracdecor.com)



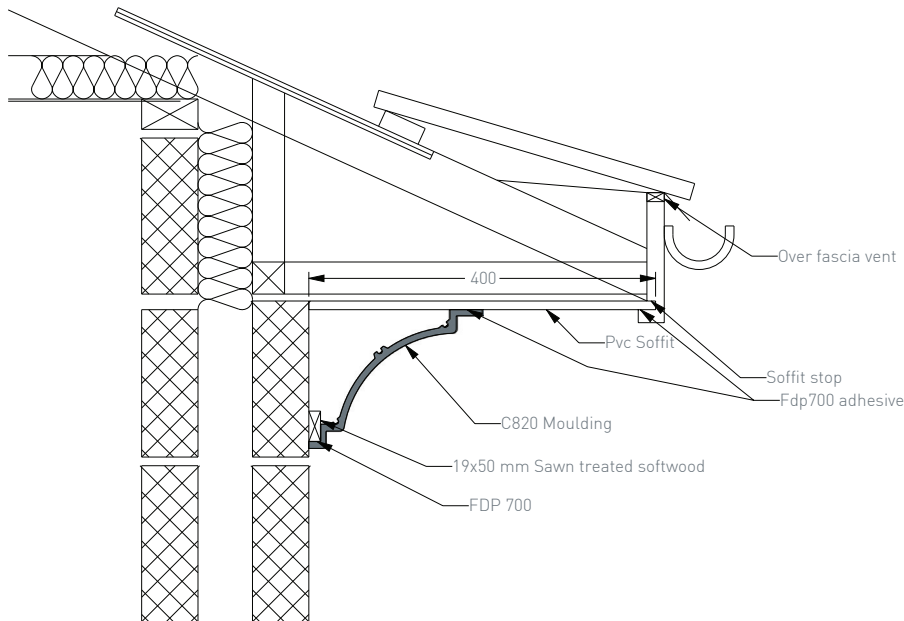


## C820 FIXING DETAILS

2



3



XTERIO  
COLLECTION

### Installation

For an optimal result only use "L"-shaped PVCu Fascia board.

Apply **FX200 DecoFix Extra** to all butt joints and C820A/C820B corner elements.  
Use **FDP700 DecoFix Hydro** for the overall application.

Allow one hour to cure and clean with small spatula.

