



**BEAUMONT
CAST IRON**

**Manufacturers
of Cast Iron
Radiators**



BEAUMONT RADIATORS





The *Rococo Royale*

**The stunning
Rococo Royale
cast iron radiator
blends with any
period setting and
offers a very high
heat output.**

Where a period setting is required the *Rococo Royale* cast iron radiator is the preferred choice for traditionally styled new build or refurbished properties. From humble radiator to a fabulous centrepiece the *Rococo Royale* will give out more economical heat than you can imagine.

The *Rococo Royale* is 960mm in height and available in various finishes.

The *Rococo Royale* cast iron radiator arrives completely assembled, primed, burnished or painted ready to fit your new or existing pipework.

The *Rococo Royale* can be supplied with thermostatic or manual wheelhead and lockshield valve sets to complete the authentic period finish.

All Beaumont cast iron radiators are carefully hand built to your own required BTUs and fully assembled ready for plumbing into your new or existing pipework.

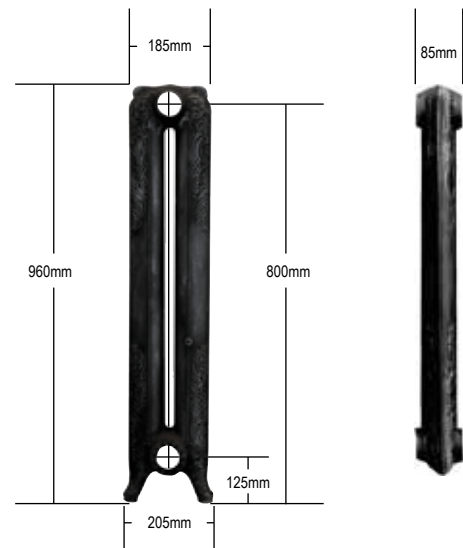
Burnishing is the optimum finish for the *Rococo Royale* to accentuate the detailed scrollwork. Burnishing paste is carefully applied by hand over a darker base coat. This is the same traditional method used by craftsmen throughout the ages.

The *Rococo Royale* can be finished in a variety of colours – metallic, Farrow & Ball range, the RAL chart or primed for onsite painting.

Because each radiator section is specially hand made there may often be a slight variation in the length of each radiator once built (end bush to end bush), please allow for this in your pipework.



RR 2960



SECTIONS	LENGTH
1	
2	
3	286mm
4	371mm
5	456mm
6	541mm
7	626mm
8	711mm
9	796mm
10	881mm
11	966mm
12	1051mm
13	1136mm
14	1221mm
15	1306mm

BTUs	WATTS @ Δ T60
790	232
1580	464
2370	696
3160	928
3950	1160
4740	1392
5530	1624
6320	1856
7110	2088
7900	2320
8690	2552
9480	2784
10270	3016
11060	3248
11850	3480



The *Rococo* *Classique*

**The stunning
Rococo Classique
cast iron radiator
blends with any
period setting and
offers a very high
economical heat
output.**

Based on an original French design, the *Rococo Classique* offers a touch of period elegance and an amazing feature in any room within your property.

The *Rococo Classique* is available in two heights 790mm and 490mm.

The *Rococo Classique* cast iron radiator arrives completely assembled, primed, burnished or painted ready to fit your new or existing pipework.

The *Rococo Classique* can be supplied with thermostatic or manual wheelhead and lockshield valve sets to complete the authentic period finish.

All Beaumont cast iron radiators are carefully hand built to your own required BTUs and fully assembled ready for plumbing into your new or existing pipework.

Burnishing is the optimum finish for the *Rococo Classique* to accentuate the detailed scrollwork. Burnishing paste is carefully applied by hand over a darker base coat. This is the same traditional method used by craftsmen throughout the ages.

The *Rococo Classique* can be finished in a variety of colours – metallic, Farrow & Ball range, the RAL chart or primed for onsite painting.

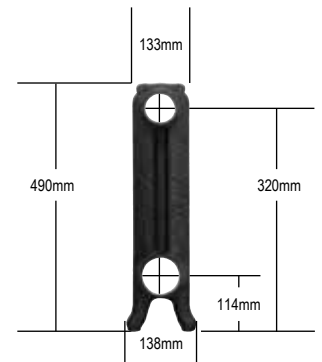
Because each radiator section is specially hand made there may often be a slight variation in the length of each radiator once built (end bush to end bush), please allow for this in your pipework.



RR 2790



RR 2490



SECTIONS ADDED	TOTAL LENGTH
1	
2	
3	260mm
4	330mm
5	400mm
6	470mm
7	540mm
8	610mm
9	680mm
10	750mm
11	830mm
12	900mm
13	970mm
14	1040mm
15	1110mm

BTUs	WATTS @ Δ T60
720	211
1440	422
2160	633
2880	844
3600	1055
4320	1266
5040	1477
5760	1688
6480	1899
7200	2110
7920	2312
8640	2532
9360	2743
10080	2954
10800	3165

BTUs	WATTS @ Δ T60
457	134
914	268
1371	402
1828	536
2285	670
2742	804
3199	938
3656	1072
4113	1205
4570	1339
5027	1473
5484	1607
5941	1741
6398	1875
6855	2009



The Gothic Collection

The *Gothic* cast iron radiator offers maximum heat output and combines efficiency with a beautiful period effect.

The *Gothic* column cast iron radiator is a design exclusive to Beaumont. Based on an original Pugin style, the Gothic rose and arch design brings a dramatic touch to any room.

The *Gothic* is 663mm in height and arrives completely assembled ready to fit to your new or existing pipework.

We have a wide range of valves and accessories available to complete the authentic period design of this unique and stylish radiator.

All Beaumont cast iron radiators are carefully hand built to your own required BTUs and fully assembled ready for plumbing into your new or existing pipework.

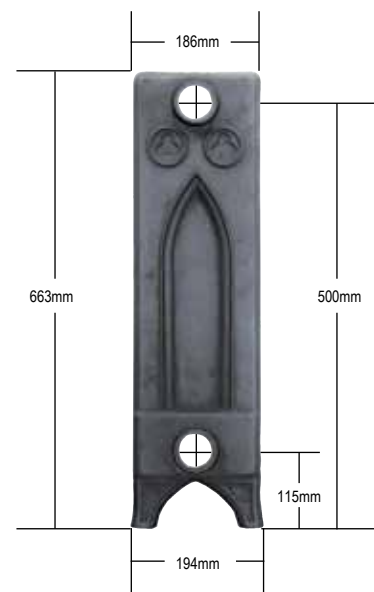
The *Gothic* can be finished in a variety of colours – metallic, Farrow & Ball range, the RAL chart or primed for onsite painting.

Each radiator section is hand cast so total length may vary slightly. The columns below give some idea of the approximate length but we strongly advise against finalising any pipework until radiators are on site.

The maximum number of sections for this radiator is 15.



G2663



SECTIONS ADDED	TOTAL LENGTH	BTUs	WATTS @ Δ T60
1		890	261
2		1780	522
3	271mm	2670	783
4	349mm	3560	1044
5	427mm	4450	1305
6	505mm	5340	1566
7	583mm	6230	1827
8	661mm	7120	2088
9	739mm	8010	2349
10	817mm	8900	2610
11	895mm	9790	2871
12	973mm	10680	3132
13	1051mm	11570	3393
14	1129mm	12460	3654
15	1207mm	13350	3915



The Edwardian 2 Collection

**The versatile
Edwardian 2
cast iron radiator
combines authentic
traditional styling
with economy and
reliability.**

The *Edwardian 2* cast iron radiator will add charm to any room giving greater economical heat due to the solid cast iron panels between the columns amplifying the heat through the entire radiator.

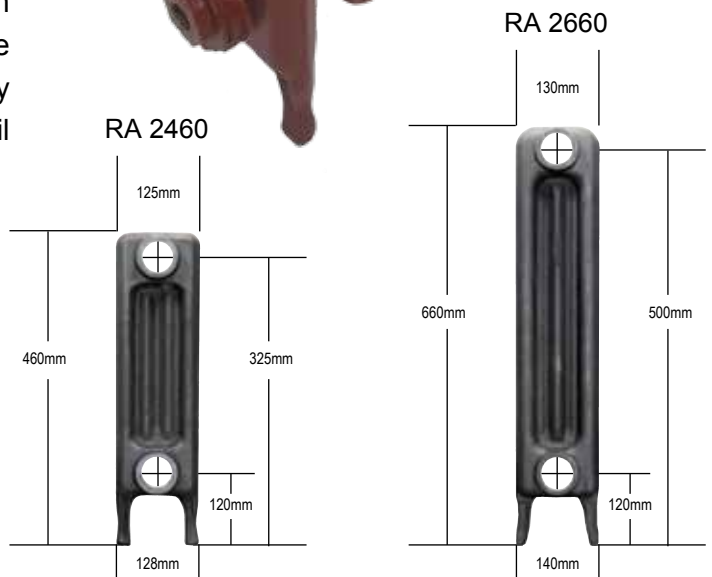
The *Edwardian 2* is available in two heights 660mm and 460mm and arrives to site ready to connect to your new or existing pipework.

The *Edwardian 2* can be supplied with thermostatic or manual wheelhead and lockshield valve sets to complete the authentic period style.

All Beaumont cast iron radiators are carefully hand built to your own required BTUs and fully assembled ready for plumbing into your new or existing pipework.

The *Edwardian 2* can be finished in a variety of colours – metallic, Farrow & Ball range, the RAL chart or primed for onsite painting.

Each radiator section is hand cast so total length may vary slightly. The columns below give some idea of the approximate length but we strongly advise against finalising any pipework until radiators are on site.



SECTIONS ADDED	TOTAL LENGTH	
	RA2460	RA2660
1		
2		
3		
4	337mm	356mm
5	410mm	437mm
6	483mm	518mm
7	556mm	599mm
8	629mm	680mm
9	702mm	761mm
10	775mm	842mm
11	848mm	923mm
12	921mm	1004mm
13	994mm	1085mm
14	1067mm	1166mm
15	1140mm	1247mm
16	1213mm	1328mm
17	1286mm	1409mm
18	1359mm	1490mm
19	1432mm	1571mm
20	1505mm	1652mm

BTUs	WATTS @ Δ T60
434	127
868	254
1302	382
1736	509
2170	636
2604	763
3038	890
3472	1018
3906	1145
4340	1272
4774	1399
5208	1526
5642	1654
6076	1781
6510	1908
6944	2035
7378	2162
7812	2290
8246	2417
8680	2544

BTUs	WATTS @ Δ T60
509	149
1018	298
1527	448
2036	597
2545	746
3054	895
3563	1044
4072	1193
4581	1342
5090	1492
5599	1641
6108	1790
6617	1939
7126	2089
7635	2238
8144	2387
8653	2536
9162	2685
9671	2834
10180	2984



The Victorian 3 Collection

**With classic simplicity
of the period, the
Victorian 3 cast iron
radiator combines
the elegance of a
bygone era with the
importance of highly
efficient heating.**

The *Victorian 3* column cast iron radiator will blend with either traditional or contemporary settings whilst providing outstanding heat outputs.

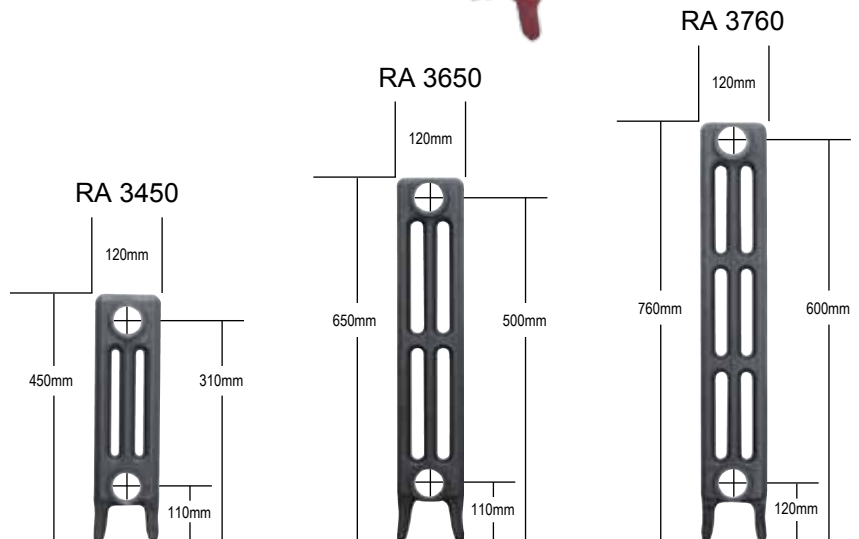
The *Victorian 3* is available in three heights 450mm, 650mm and 760mm and arrives to site ready to connect to your new or existing pipework.

The *Victorian 3* can be supplied with thermostatic or manual wheelhead and lockshield valve sets to complete the authentic period style.

All Beaumont cast iron radiators are carefully hand built to your own required BTUs and fully assembled ready for plumbing into your new or existing pipework.

The *Victorian 3* can be finished in a variety of colours – metallic, Farrow & Ball range, the RAL chart or primed for onsite painting.

Each radiator section is hand cast so total length may vary slightly. The columns below give some idea of the approximate length but we strongly advise against finalising any pipework until radiators are on site.

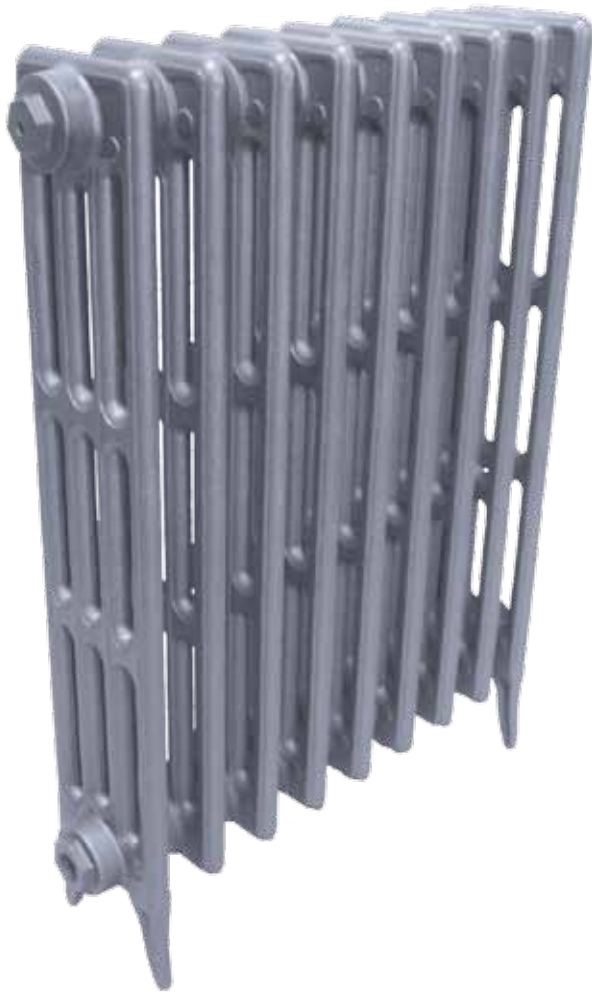


SECTIONS ADDED	TOTAL LENGTH
1	
2	
3	
4	285mm
5	345mm
6	405mm
7	470mm
8	530mm
9	590mm
10	650mm
11	715mm
12	775mm
13	840mm
14	900mm
15	965mm
16	1025mm
17	1090mm
18	1150mm
19	1215mm
20	1275mm

BTUs	WATTS @ Δ T60
315	92
630	184
945	276
1260	368
1575	460
1890	552
2205	644
2520	736
2835	828
3150	923
3465	1015
3780	1108
4095	1199
4410	1291
4725	1383
5040	1477
5355	1569
5670	1661
5985	1754
6300	1846

BTUs	WATTS @ Δ T60
454	133
908	266
1362	399
1816	532
2270	665
2724	798
3178	931
3632	1064
4086	1198
4540	1331
4994	1464
5448	1597
5902	1730
6356	1863
6810	1996
7264	2129
7718	2262
8172	2395
8626	2528
9080	2661

BTUs	WATTS @ Δ T60
512	150
1024	300
1536	450
2048	600
2560	750
3072	900
3584	1050
4096	1200
4608	1351
5120	1501
5632	1651
6144	1801
6656	1951
7168	2101
7680	2251
8192	2401
8704	2551
9216	2701
9728	2851
10240	3001



The Victorian 4 Collection

**The timeless
Victorian 4 cast
iron radiator looks
at home in any
traditional style
property adding a
period feature in
any room.**

The *Victorian 4* column cast iron radiator is a fine example of the style and elegance of the period and is the perfect choice to complement any room.

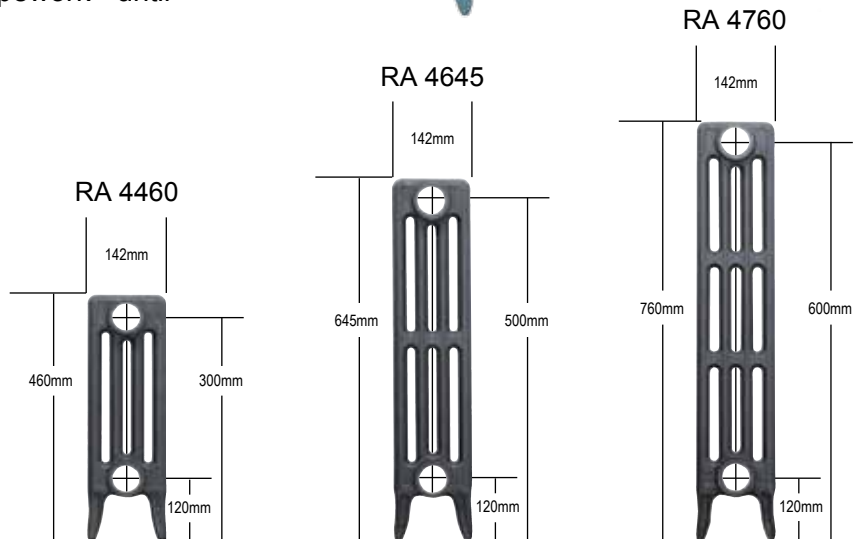
The *Victorian 4* is available in three heights - 460mm, 645mm and 760mm and arrives to site ready to connect to your new or existing pipework.

We have a wide range of valves and accessories available to complete the authentic period style.

All Beaumont cast iron radiators are carefully hand built to your own required BTUs and fully assembled ready for plumbing into your new or existing pipework.

The *Victorian 4* can be finished in a variety of colours – metallic, Farrow & Ball range, the RAL chart or primed for onsite painting.

Each radiator section is hand cast so total length may vary slightly. The columns below give some idea of the approximate length but we strongly advise against finalising any pipework until radiators are on site.



SECTIONS ADDED	TOTAL LENGTH
1	
2	
3	
4	276mm
5	337mm
6	398mm
7	459mm
8	520mm
9	581mm
10	642mm
11	703mm
12	764mm
13	825mm
14	886mm
15	947mm
16	1008mm
17	1069mm
18	1130mm
19	1191mm
20	1252mm

BTUs	WATTS @ Δ T60
415	121.6
830	243.3
1245	364.9
1660	486.5
2075	608.2
2490	729.8
2905	851.4
3320	973
3735	1094.7
4150	1216.3
4565	1337.9
4980	1459.6
5395	1581.1
5810	1702.8
6225	1824.4
6640	1946.1
7055	2067.7
7470	2189.3
7885	2310.9
8300	2432.6

BTUs	WATTS @ Δ T60
554	162.4
1108	324.8
1662	487.1
2216	649.4
2770	811.8
3324	974.2
3878	1136.5
4432	1298.9
4986	1461.3
5540	1623.6
6094	1786.0
6648	1948.4
7202	2110.7
7756	2273.1
8310	2435.5
8864	2597.8
9418	2760.2
9972	2922.6
10526	3084.9
11080	3247.3

BTUs	WATTS @ Δ T60
612	179.3
1224	358.7
1836	538.1
2448	717.5
3060	896.8
3672	1076.2
4284	1255.6
4896	1434.9
5508	1614.3
6120	1793.7
6732	1973
7344	2152.4
7956	2331.7
8568	2511.1
9180	2690.5
9792	2869.8
10404	3049.2
11016	3228.6
11628	3408
12240	3587.3

The *Victorian 9* Collection



The *Victorian 9* cast iron radiator is ideal for hard to heat areas. Compact and robust the *Victorian 9* has a high output of heat and comes complete in a variety of finishes.

The *Victorian 9* column is ideal for low drop windows where space is limited.

The *Victorian 9* provides great heat output and is ideally designed to sit under a windowsill. Use as a secondary heat source to underfloor heating in chillier rooms or where height is restricted.

The *Victorian 9* column radiator is one of the older designs and is very popular in period settings for true authenticity. The *Victorian 9* column is 360mm in height.

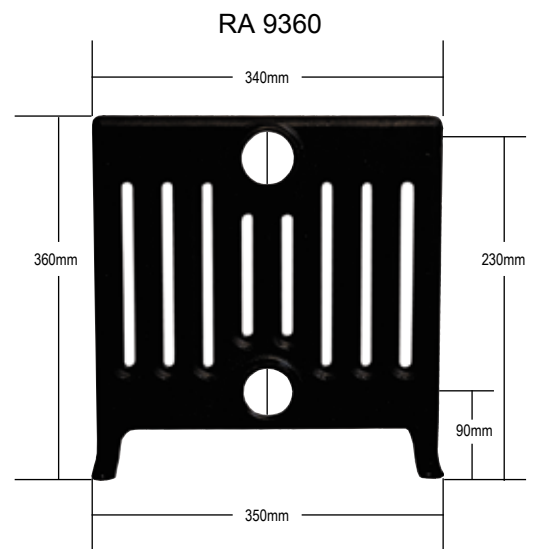
Distressed or polished brass wheelhead and lockshield valves (available as thermostatic or manual) complement this radiator perfectly to complete the traditional look.

All Beaumont cast iron radiators are carefully hand built to your own required BTUs and fully assembled ready for plumbing into your new or existing pipework.

The *Victorian 9* can be finished in a variety of colours – metallic, Farrow & Ball range, the RAL chart or primed for onsite painting.

Each radiator section is hand cast so total length may vary slightly. The columns below give some idea of the approximate length but we strongly advise against finalising any pipework until radiators are on site.

The maximum number of sections for this radiator is 15.



SECTIONS	LENGTH	BTUs	WATTS @ Δ T60
1		723	212
2		1446	424
3		2169	636
4	268mm	2892	848
5	326mm	3615	1059
6	386mm	4338	1271
7	441mm	5061	1483
8	499mm	5784	1695
9	556mm	6507	1907
10	614mm	7230	2119
11	672mm	7953	2331
12	729mm	8676	2543
13	787mm	9399	2755
14	845mm	10122	2967
15	903mm	10845	3178



**NATURAL
CAST**



**ANTIQUE
GOLD**



PEWTER



**OLD
PENNY**



ANTHRACITE



**DUCK
EGG BLUE**

RADIATOR FINISHES

All Beaumont radiators are supplied in a primer coating as standard.

A top coat is an additional charge, added per section.

We can finish your radiator in any colour of your choosing – from traditional metallic paints, the RAL spectrum or the latest Farrow & Ball range – to contrast or blend in with your decor.

We are happy to supply a colour sample upon request to help you decide.

The most popular finishes are:

- Natural Cast Iron
- Old Penny
- Anthracite
- Antique Gold
- Matt Black
- Cream
- White
- Pewter
- Sovereign Gold

All radiators are supplied with a pot of paint in your chosen finish for touching up after installation and hiding any blemishes occurring over time.

CAST IRON RADIATOR FINISHES

- Withstand temperatures up to 600°C
- Extremely durable & hard wearing
- Contains anti-discolour agents
- Guaranteed for 10 years



**BRITISH
RACING GREEN**



**PILLAR
BOX RED**



Burnishing is an alternative option to an all-over top coat paint finish for the Rococo design. First, the radiator is given a darker base coat, then a special burnishing paste is applied by hand to highlight the detailed scrollwork creating a stunning masterpiece.

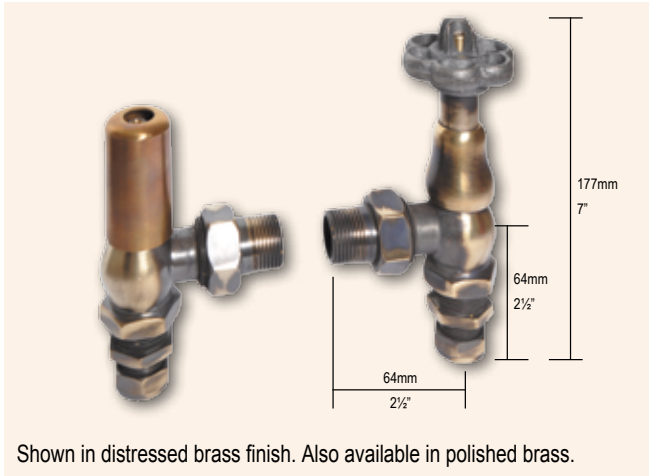
We employ highly experienced specialists and use traditional application techniques in this process to achieve outstanding results.

The burnished finish is available in iron (silver), antique gold or copper.



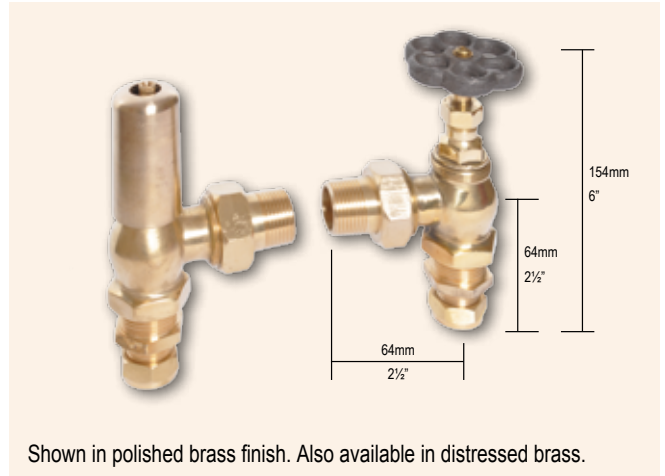
VALVES & ACCESSORIES

THERMOSTATIC WHEELHEAD & LOCKSHIELD VALVE SET



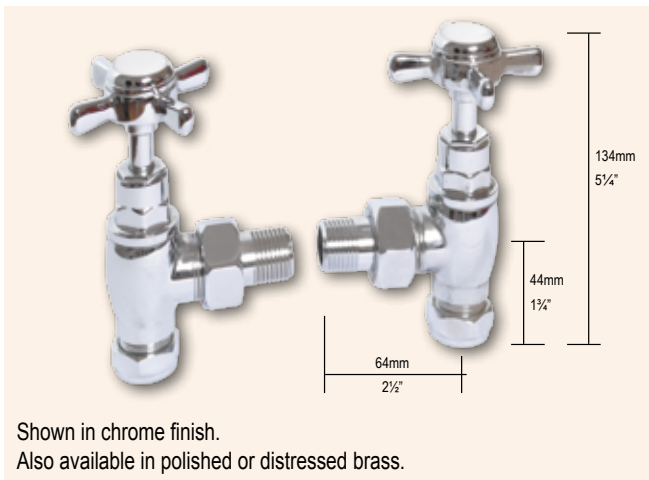
Shown in distressed brass finish. Also available in polished brass.

MANUAL WHEELHEAD & LOCKSHIELD VALVE SET



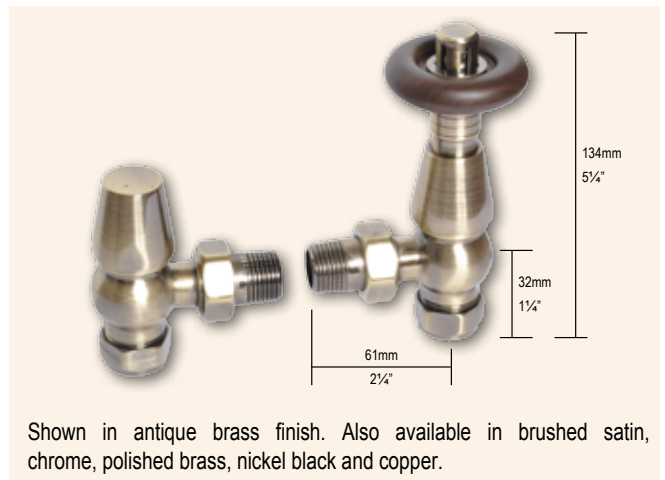
Shown in polished brass finish. Also available in distressed brass.

CROSSHEAD ANGLED VALVE SET



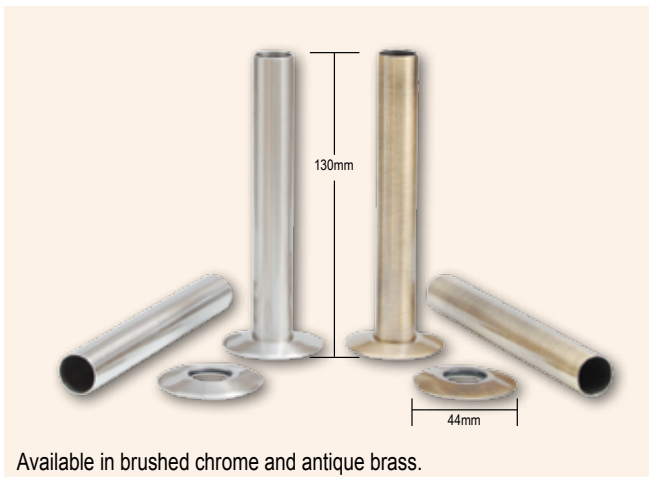
Shown in chrome finish.
Also available in polished or distressed brass.

BENTLEY THERMOSTATIC VALVE SET



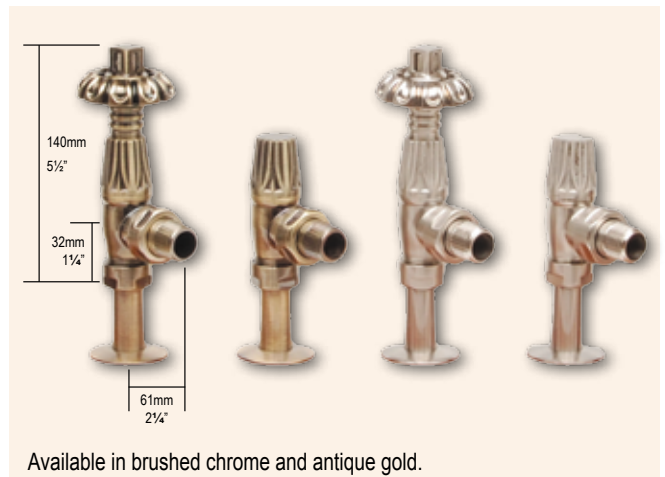
Shown in antique brass finish. Also available in brushed satin, chrome, polished brass, nickel black and copper.

PIPE COVER SETS



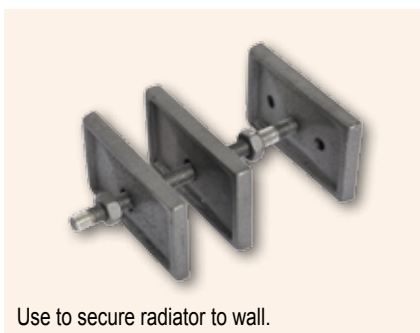
Available in brushed chrome and antique brass.

GOTHIC VALVES



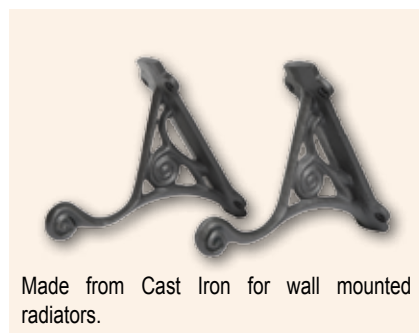
Available in brushed chrome and antique gold.

WALL STAY BRACKET



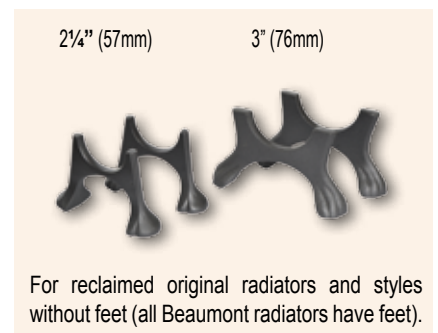
Use to secure radiator to wall.

WALL SUPPORT BRACKET



Made from Cast Iron for wall mounted radiators.

CAST IRON RADIATOR FEET



For reclaimed original radiators and styles without feet (all Beaumont radiators have feet).



Beaumont Cast Iron is a family run business with many years of knowledge and experience in foundry work. We produce quality castings using original methods and materials employed by the Victorians to keep everything as authentic as possible.

High grade raw components ensure greater heat outputs than our rivals can beat!

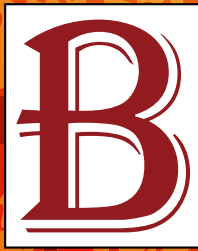
Our traditional valves and accessories complement all styles of cast iron radiators to complete the period look.

We will be happy to answer any query, however technical. All quotes are provided free and with no obligation.

If you need to check your heat requirements, visit 'BTU calculator' on our website: www.beaumontcastiron.com or call / email us with your details and we will be happy to calculate them for you.

All our radiators are hand built to your specifications and come with a 10 year guarantee.





**BEAUMONT
CAST IRON**

ENQUIRIES TO:
sales@beaumontcastiron.com

OR

01788 899100
www.beaumontcastiron.com

**Beaumont Products Ltd, Cleves Farm, Daventry Road, Barby,
Rugby, Warwickshire CV23 8TF**

Fax: 01788 891671