

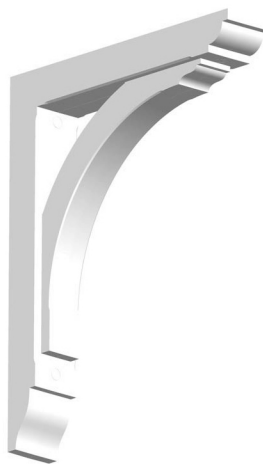
GALLOWS BRACKETS GB02 - GB03 - GB04



installation instructions - plaatsingsinstructies - instructions de pose
Gebrauchsanleitung - istruzioni di installazione - instrucciones de
instalación - instruções de instalação
Instrukcja montażu - Инструкция по эксплуатации
UM900 - 01/2009

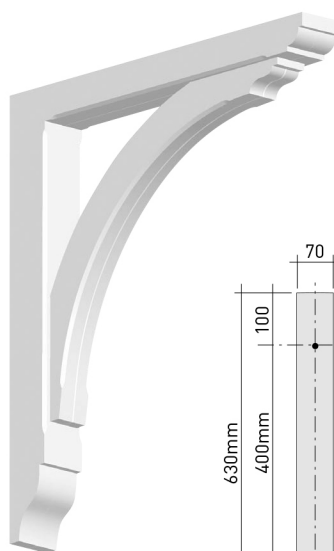
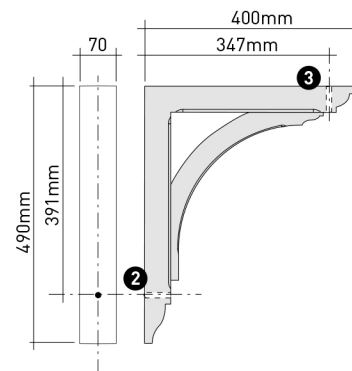
nv ORAC - Biekorfstraat 32, B-8400 Oostende
Tel: +32 (0)59-80 32 52 - Fax: +32 (0)59-80 28 10
info@oracdecor.com - www.oracdecor.com

Orac (UK) Ltd
City Business Centre
Brighton Road, Unit 8
Horsham RH13 5BB
United Kingdom
T +44 1403 240 102
F +44 1403 258 686
uk@oracdecor.com
www.oracdecor.com



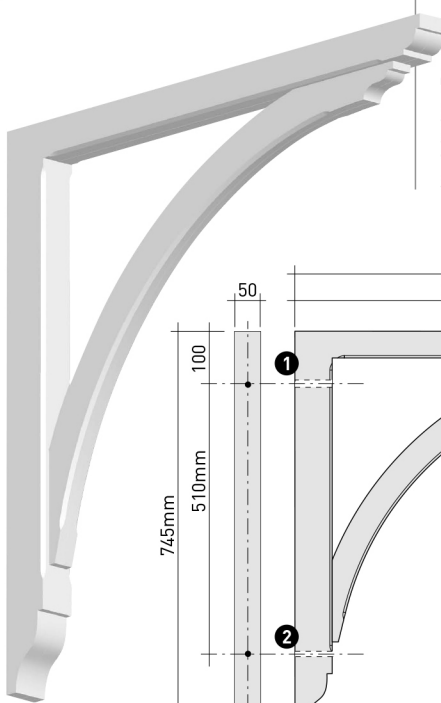
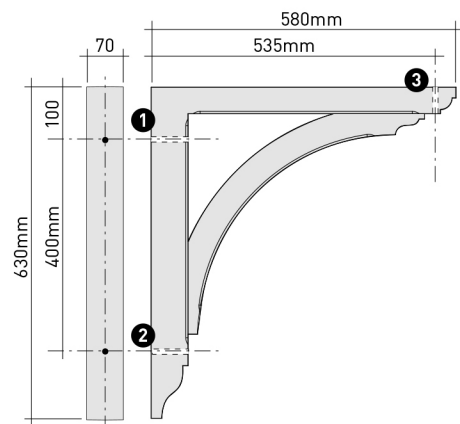
GB02

70 x 490 x 400 mm
2³/₄" x 19⁹/₃₂" x 15³/₄"
structural max. 35 kg*



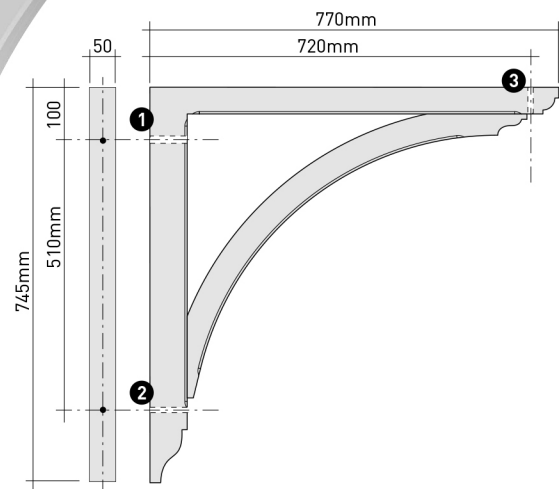
GB03

70 x 630 x 580 mm
2³/₄" x 24¹³/₁₆" x 22⁷/₈"
structural max. 75 kg*

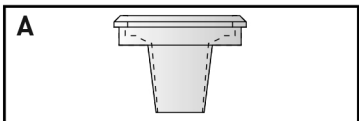
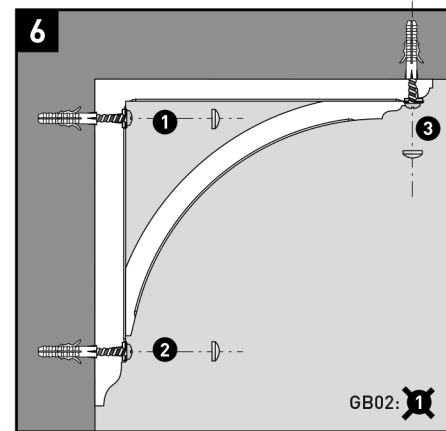
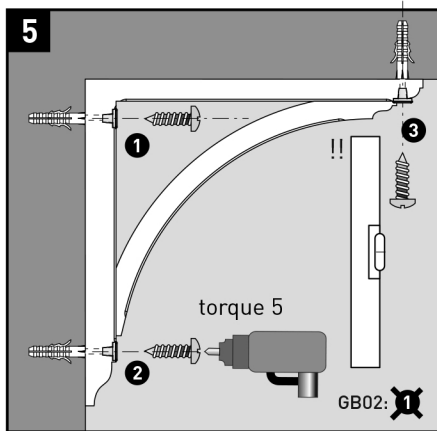
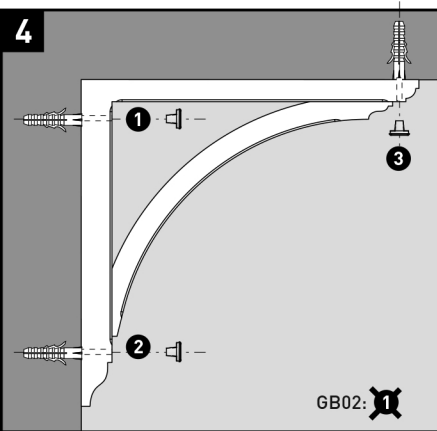
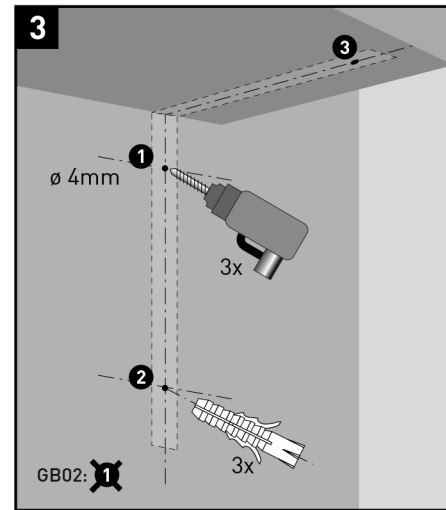
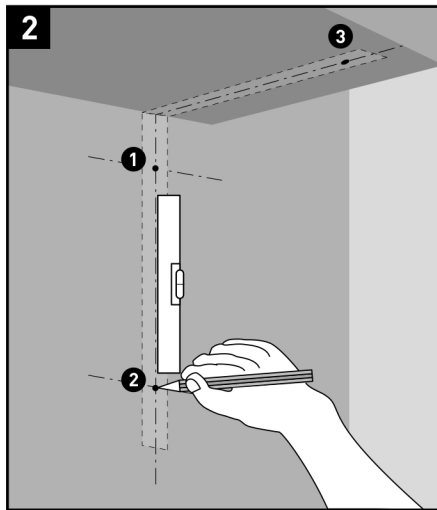
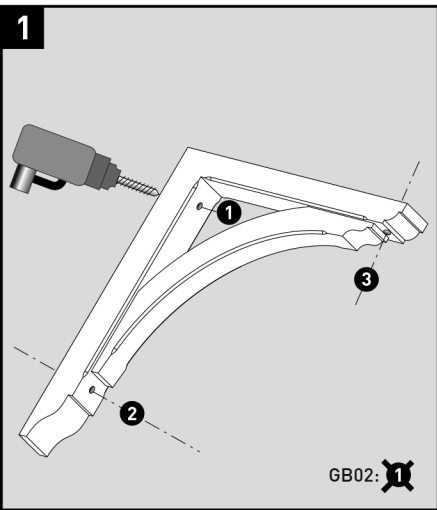


GB04

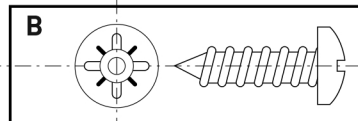
50 x 745 x 770 mm
2" x 29⁵/₁₆" x 30⁵/₁₆"
structural max. 75 kg*



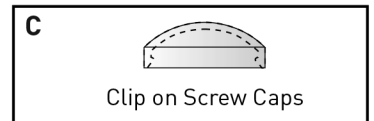
* Tested by University of Ostend, and applies where loading is evenly distributed across the brackets.



GB02: 2x
 GB03/04: 3x



GB02: 2x
 GB03/04: 3x



GB02: 2x
 GB03/04: 3x

