



Issue 10



For your nearest stockist: Freephone 0808 1292224 or visit [www.carron.uk.net](http://www.carron.uk.net)

SIMPLY SOME OF THE FINEST  
RADIATORS AVAILABLE

## Discover Cast Iron Perfection from Carron

A great deal of skill and work goes into producing our range of cast iron radiators, and we are enormously proud to declare that Carron have been awarded the ISO 9001:2015 accreditation for quality management. Our radiators also meet the rigorous standards set out in BS: EN 442-2 and carry the CE mark.

Our radiators are assembled and finished by hand in Carron's Lincolnshire workshop and are subject to regular inspections, carried out at each stage throughout the process.

Each section is sand cast using CNC moulds and 3D modelling techniques together with efficient cast production line. The result is a crisp, detailed decoration, which achieves a superior aesthetic quality.

Upon receipt of an order, sections are transferred to our specially built paint shop or to the polishing workshop to receive the first layer of paint or first round of polishing depending on the client's preference.

Once dry, they are put through a rigorous, high pressure testing process. We ensure the total time that every section is tested, at a pressure well beyond that of normal water pressure found in UK domiciles.

When each radiator has passed the testing phase, they can then be transferred back to the spray team to complete Carron's unique dual painted method: this is where a final round of painting or hand polishing is carried out to produce a high quality finish.

Now completed they are given a final inspection and a Quality Control stamp of approval when they can be prepared for dispatch.

### Application in all environments

Carron traditional radiators are perfectly positioned between the heritage and charm of historic design and the pragmatic efficiency required of 21st century heating.

There is common misconception that cast iron radiators are inefficient and expensive to run compared to modern day counterparts, a point we'd argue. The cast iron sections retain heat for longer and gradually releases the warmth creating a constant warm ambient temperature. Thus, Carron radiators more than match the performance of present heating solutions.

These heating characteristics make them ideally suited to work alongside alternative fuel sources, such as ground source pumps and solar powered heating supplies.

Cast iron is a robust material and its incredible longevity makes it an economical investment, sure to last several generations.

The added visual appeal and styling mean Carron radiators are at home in period homes and restoration projects but are by no means out of place in contemporary dwellings, industrial and cutting edge developments and decor.

Our radiators come with a lifetime guarantee, such is the trust we have in the quality of work we produce.



Our Hand Burnished/Satin Polished finish is achieved by using abrasives to polish the surface of the Cast Iron. We then apply light oil to the radiator prior to despatch. This will require maintaining by reapplying the oil as required.

Any contact with moisture should be avoided and therefore we do not recommend using this finish in bathrooms etc.

An option to lacquer coat these finishes is available which negates the need for this maintenance

Due to the limitation of the printing process/photography, please note that colours may vary from the actual painted finish.

We recommend you request a free colour swatch prior to purchase.

(Not available for Highlight Polish, Hand Burnished & Satin Polished Finishes.)

As each radiator is hand built and seal compression/machined faces vary slightly, measurements given are for guidance only and should not be used for the location of pipe work.

We reserve the right to amend designs without prior notification.

## Bespoke Finishes

Here at Carron we pride ourselves on the level of bespoke detailing and options we are able to provide. With our on-site paint and spray shop we can finish any radiator from a choice of over 10,000 colours and offer an expert colour matching service to attain even greater levels of customisation.

We can also finish the radiators in a selection of product specific paints which come in a range of finishes, such as semi-gloss, full gloss and satin.

### Selection of Painted Finishes



A wider range of branded paint colours are available, using the F&B Estate Eggshell finish or Little Greene Intelligent Eggshell

### Selection of Metallic Finishes



A wider range of Roberson liquid metal metallic finishes are available, see [www.robersonliquidmetal.co.uk](http://www.robersonliquidmetal.co.uk)

### Selection of Polished Finishes



Optional lacquer coating available

### Selection of Patina Finishes



### Selection of Hand Gilded Finishes





Left:  
Graphite Grey



Satin Polished  
Height 615mm

More paint finishes on page 3



Satin Polished  
Height 735mm

More paint finishes on page 3



Right:  
Roberson  
Autumn Gold

## The Victorian 2 & 3 Column

This ever popular traditional design has stood the test of time and has been manufactured for over a century.

The narrow profile of the 2 - 3 column radiators make them ideally suited to areas within the home where space is limited.



Satin Black  
Height 615mm  
2 Columns

Buttermilk  
Height 615mm  
2 Columns

Foundry Grey  
Height 615mm  
2 Columns

Antiqued French Grey  
Height 615mm  
2 Columns



Ancient Breeze  
Height 735mm  
3 Columns

Hammered Gold  
Height 735mm  
3 Columns

F&B Mouse's Back  
Height 735mm  
3 Columns

Roberson Bronze  
Height 735mm  
3 Columns

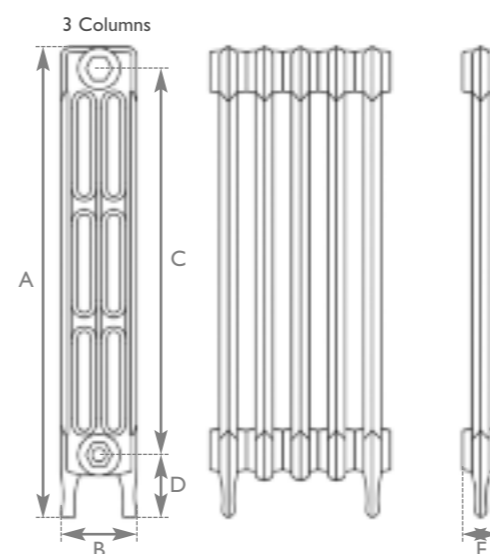
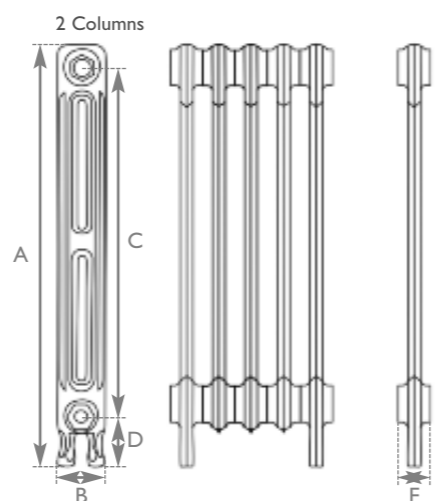
Right:  
Roberson  
Victorian  
Gold



The Victorian



Left:  
Vintage Copper



Right:  
Satin Polished



Code	Section Height A (mm)	Section Width B (mm)	Section Height C (mm)	Section Height D (mm)	Section Width E (mm)	Delta 50		Delta 60		Weight (Kg)		Wall Stays (Suitable Fitting)					Electric Heating Elements				
						BTU's	Watts	BTU's	Watts	Empty	Filled	HAN103	HAN104	HAN205	HAN206	LD055	LD056	HEF035	Min sections	Min sections	Min sections
LD183/184	615	70	500	80	53	153	45	194	57	2.5	2.8	✓	✓	✓	✓	✓	✓	X	10 (27‡)	11 (33‡)	12 (44‡)

(Electric Heating Elements) ‡Denotes the minimum number of sections required to achieve maximum heat output for the heating element. For the full range/finishes of electric heating elements, see page 75

Code	Section Height A (mm)	Section Width B (mm)	Section Height C (mm)	Section Height D (mm)	Section Width E (mm)	Delta 50		Delta 60		Weight (Kg)		Wall Stays (Suitable Fitting)					Electric Heating Elements				
						BTU's	Watts	BTU's	Watts	Empty	Filled	HAN103	HAN104	HAN205	HAN206	LD055	LD056	HEF035	Min sections	Min sections	Min sections
TCR022/023	735	120	600	102	61	283	83	359	105	5.25	6.09	✓	✓	✓	✓	✓	✓	✓	9 (14‡)	10 (18‡)	11 (24‡)

(Electric Heating Elements) ‡Denotes the minimum number of sections required to achieve maximum heat output for the heating element. For the full range/finishes of electric heating elements, see page 75



Left:  
Parchment White  
Height 325mm



Highlight Polish  
Height 760mm

More paint finishes on page 3

## The Victorian 4 Column

With 5 heights available, 325mm, 460mm, 660mm, 760mm and 810mm this gives great flexibility when specifying your cast iron radiators to meet your heating requirements. These old school style radiators add a fantastic period feel to your property and offer superb value for money.

With the 810mm model offer 355 BTU's per section these floor standing or wall mounted radiators can be bespoke built to heat any space. Use our BTU calculator to work out how many sections are needed to heat your space effectively.



F&B French Gray  
Height 810mm  
4 Columns

Roberson Baroque  
Height 760mm  
4 Columns

F&B Great White  
Height 660mm  
4 Columns

Foundry Grey  
Height 460mm  
4 Columns

F&B Matchstick  
Height 325mm  
4 Columns

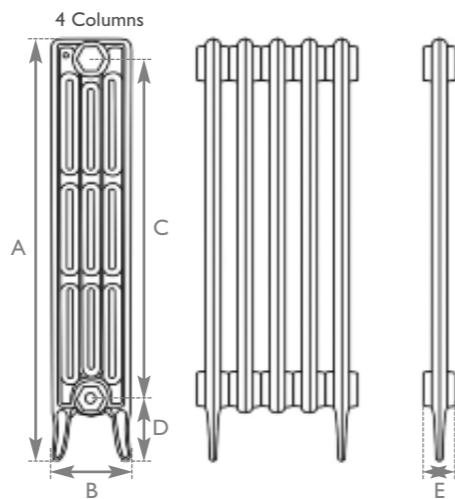


Hand  
Burnished  
Height  
760mm

The Victorian

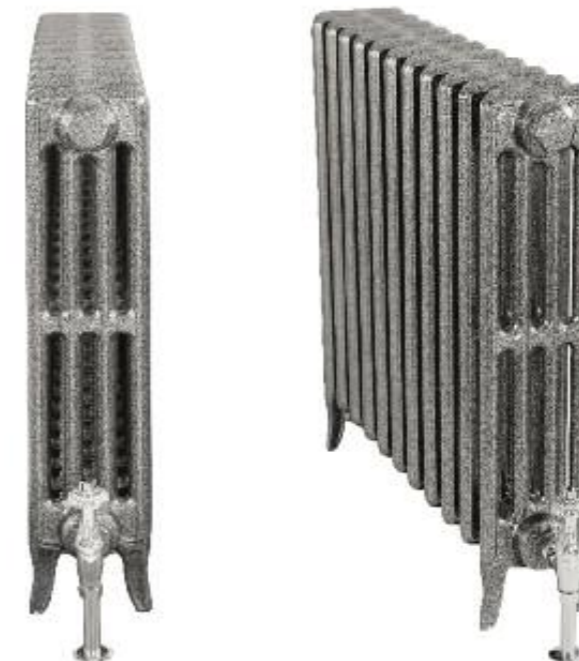


Left:  
Antiqued  
French Grey



Electric Heating Elements

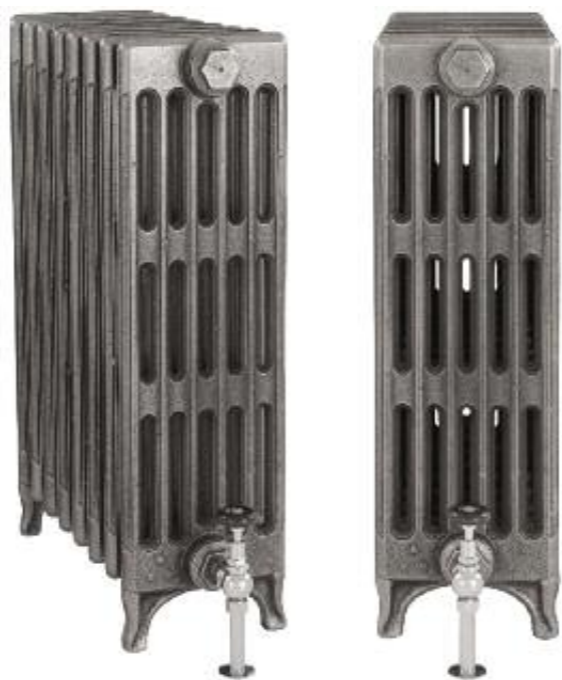
Code	Section Height A (mm)	Section Width B (mm)	Section Height C (mm)	Section Height D (mm)	Section Width E (mm)	Delta 50		Delta 60		Weight (Kg)		Wall Stays (Suitable Fitting)						1200W Output	1500W Output	2000W Output	
						BTU's	Watts	BTU's	Watts	Empty	Filled	HAN103	HAN104	HAN205	HAN206	LD055	LD056	HEF035	Min sections	Min sections	Min sections
JJC057/058	325	145	205	80	50	139	41	175	51	3.2	3.7	✓	✓	✓	✓	✓	✓	✓	11 (29‡)	12 (37‡)	13 (49‡)
LD060/061	460	140	300	105	61	185	54	232	68	3.8	4.4	✓	✓	✓	✓	✓	✓	✓	9 (22‡)	10 (28‡)	11 (37‡)
LD015/016	660	140	500	115	61	261	77	330	97	5.6	6.5	✓	✓	✓	✓	✓	✓	✓	9 (16‡)	10 (19‡)	11 (26‡)
LD011/012	760	140	600	115	61	306	90	386	113	6.5	7.5	✓	✓	✓	✓	✓	✓	✓	9 (13‡)	10 (17‡)	11 (22‡)
LD013/014	810	160	640	120	61	355	104	451	132	8.0	9.2	✓	✓	✓	✓	✓	✓	✓	9 (12‡)	10 (14‡)	11 (19‡)



Powder Coated - Antiqued Silver  
Height 660mm



Left:  
Antiqued French Grey  
Height 625mm



Hand Burnished  
Height 740mm



F&B Off-Black  
Height 330mm

Right:  
Graphite Grey  
Height 330mm



# The Victorian 6 & 9 Column

A traditional Victorian radiator which was first produced in America in the 1880s.

Due to its low height the traditional 9 Column Victorian radiator is particularly suited to being sited in bay windows.

The 6 Column's high heat output per section, make it a great choice when heating larger spaces.

More paint finishes on page 3

More paint finishes on page 3



Ancient Breeze  
Height 920mm  
6 Columns

Satin Black  
Height 740mm  
6 Columns

Roberson Silver Blush  
Height 625mm  
6 Columns

F&B Skylight  
Height 365mm  
6 Columns



French Grey  
Height 330mm  
9 Columns

Hammered Bronze  
Height 330mm  
9 Columns

F&B Oval Room Blue  
Height 330mm  
9 Columns

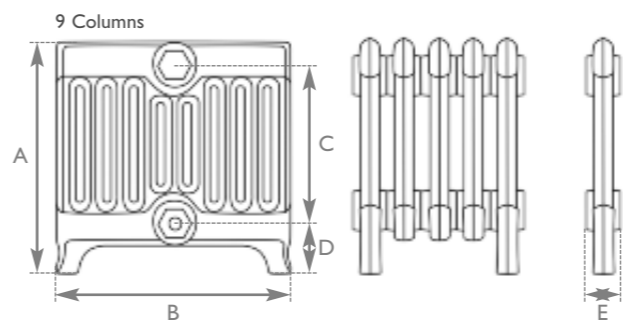
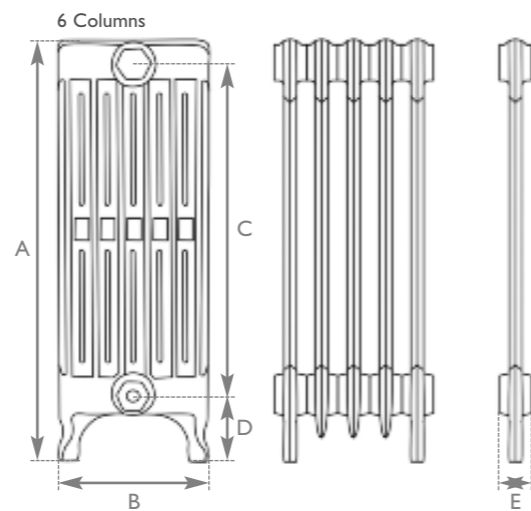
Right:  
Vintage Silver



The Victorian



Left:  
Hand Burnished



Right:  
Hand Burnished



Code	Section Height A (mm)	Section Width B (mm)	Section Height C (mm)	Section Height D (mm)	Section Width E (mm)	Delta 50		Delta 60		Weight (Kg)		Wall Stays (Suitable Fitting)						Electric Heating Elements				
						BTU's	Watts	BTU's	Watts	Empty	Filled	HAN103	HAN104	HAN205	HAN206	LD055	LD056	HEF035	1200W Output	1500W Output	2000W Output	
						Min sections	Min sections	Min sections	Min sections	Min sections	Min sections	Min sections	Min sections	Min sections	Min sections	Min sections	Min sections	Min sections	Min sections			
LD213/214	365	220	220	110	60	217	64	257	75	4.3	5.0	✓	✓	✓	✓	✓	✓	✓	✓	9 (19‡)	10 (23‡)	11 (31‡)
TBK112/113	625	220	480	105	52	360	105	460	135	10.1	11.2	✓	✓	✓	✓	✓	✓	✓	✓	11 (11‡)	11 (14‡)	12 (19‡)
LD208/209	740	220	600	105	60	440	129	561	165	9.3	10.5	✓	✓	✓	✓	✓	✓	✓	✓	9 (9‡)	10 (12‡)	11 (16‡)
LD078/079	920	215	790	95	58	559	164	644	189	11.0	12.4	✓	✓	✓	✓	✓	✓	✓	✓	10 (7‡)	10 (9‡)	11 (12‡)

Code	Section Height A (mm)	Section Width B (mm)	Section Height C (mm)	Section Height D (mm)	Section Width E (mm)	Delta 50		Delta 60		Weight (Kg)		Wall Stays (Suitable Fitting)						Electric Heating Elements									
						BTU's	Watts	BTU's	Watts	Empty	Filled	HAN103	HAN104	HAN205	HAN206	LD055	LD056	HEF035	1200W Output	1500W Output	2000W Output						
						Min sections	Min sections	Min sections	Min sections	Min sections	Min sections	Min sections	Min sections	Min sections	Min sections	Min sections	Min sections	Min sections	Min sections								
TBK100/101	330	330	217	75	56	332	97	418	123	7.8	8.9	X	X	X	X	X	X	X	X	X	X	X	X	X	10 (12‡)	11 (15‡)	12 (21‡)

(Electric Heating Elements) ‡Denotes the minimum number of sections required to achieve maximum heat output for the heating element. For the full range/finishes of electric heating elements, see page 75



Left:  
Hand Burnished  
Height 665mm



Roberson Baroque  
Height 460mm

Roberson Renaissance Gold  
Height 665mm



Roberson Platinum  
Height 460mm

Roberson Silver Verde  
Height 340mm

Right:  
Roberson  
Steel Grey  
Height  
460mm



## The Rathmell 4, 6 & 9 Column

This stylish cast iron radiator design features a curved top and crisp lines.

The Rathmell cast iron radiators feet are seamlessly incorporated and delicately shaped with an inner arch. These combine to give the Rathmell cast iron radiator a more contemporary feel than the traditional Victorian model.



Hammered Bronze  
Height 665mm  
4 Columns

Buttermilk  
Height 665mm  
4 Columns

Antiqued French Grey  
Height 460mm  
4 Columns

Satin Polished  
Height 460mm  
4 Columns

More paint finishes on page 3



Roberson Regency Gold  
Height 460mm  
6 Columns

Roberson Bronze  
Height 460mm  
6 Columns

Roberson Graphite  
Height 340mm  
9 Columns

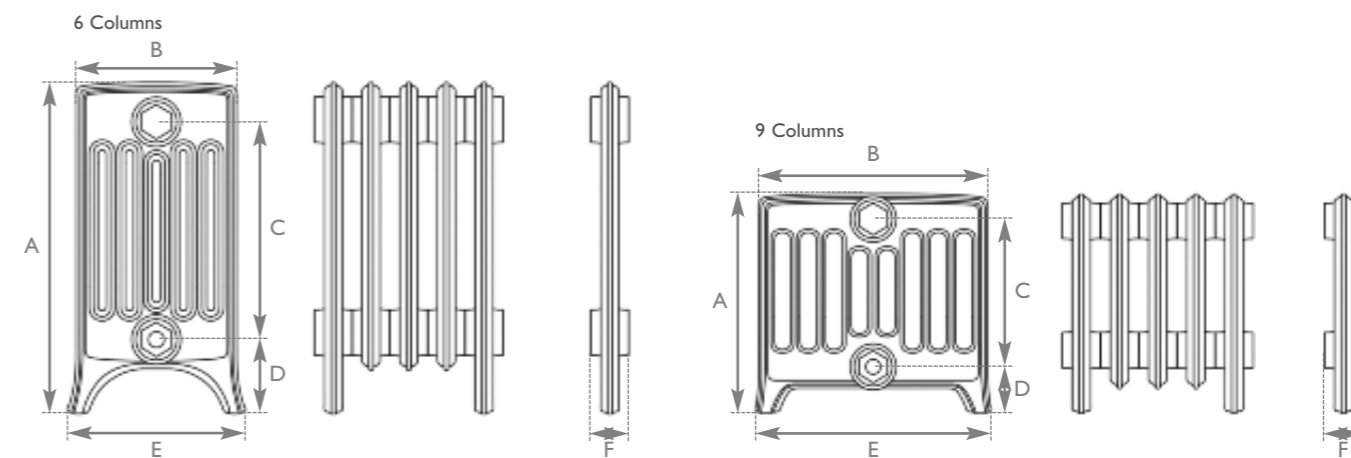
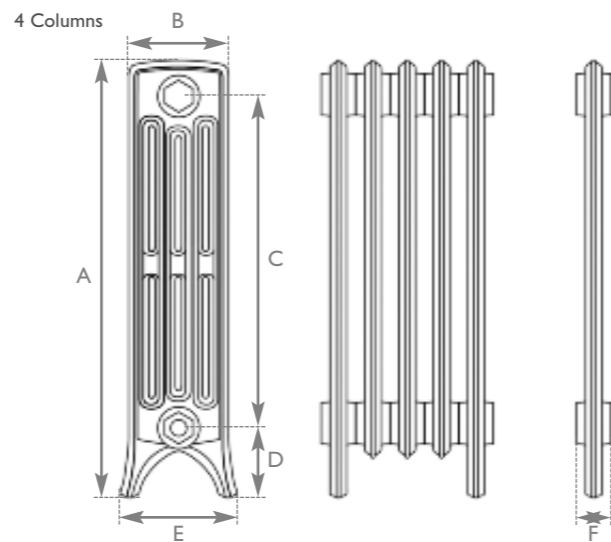
More paint finishes on page 3



The Rathmell



Left:  
Renaissance  
Baroque



Above:  
Roberson  
Old Silver  
Height  
340mm

Code	Section Height A (mm)	Section Width B (mm)	Section Height C (mm)	Section Height D (mm)	Section Width E (mm)	Section Depth F (mm)	Electric Heating Elements															
							Delta 50		Delta 60		Weight (Kg)		Wall Stays (Suitable Fitting)							1200W Output	1500W Output	2000W Output
							BTU's	Watts	BTU's	Watts	Empty	Filled	HANI03	HANI04	HAN205	HAN206	LD055	LD056	HEF035	Min sections	Min sections	Min sections
TBK072/073	460	160	300	110	180	63	201	59	252	74	4.2	4.9	X	X	X	X	✓	✓	✓	9 (20‡)	10 (25‡)	11 (34‡)
TBK067/068	665	150	498	112	170	63	289	85	366	107	5.7	6.6	X	X	X	X	✓	✓	✓	9 (14‡)	10 (18‡)	11 (24‡)

(Electric Heating Elements) ‡Denotes the minimum number of sections required to achieve maximum heat output for the heating element. For the full range/finishes of electric heating elements, see page 75

Code	Section Height A (mm)	Section Width B (mm)	Section Height C (mm)	Section Height D (mm)	Section Width E (mm)	Section Depth F (mm)	Electric Heating Elements															
							Delta 50		Delta 60		Weight (Kg)		Wall Stays (Suitable Fitting)							1200W Output	1500W Output	2000W Output
							BTU's	Watts	BTU's	Watts	Empty	Filled	HANI03	HANI04	HAN205	HAN206	LD055	LD056	HEF035	Min sections	Min sections	Min sections
TBK076/077	460	220	300	105	240	63	280	82	351	103	5.8	6.7	X	X	X	X	✓	✓	✓	9 (15‡)	10 (18‡)	11 (24‡)
TBK070/071	340	340	215	77	350	62	348	102	440	129	6.5	7.6	X	X	X	X	X	X	X	9 (12‡)	10 (15‡)	11 (20‡)

(Electric Heating Elements) ‡Denotes the minimum number of sections required to achieve maximum heat output for the heating element. For the full range/finishes of electric heating elements, see page 75



Left:  
Foundry Grey

Pewter Lustre  
Height 785mm

Bare Metal  
Height 590mm

More paint finishes on page 3



Roberson  
Blackened Bronze  
Height 785mm



Chrome Effect on  
White Base  
Height 785mm



Graphite Grey  
Height 590mm



Willow Green  
Height 590mm

## The Duchess 2 Column

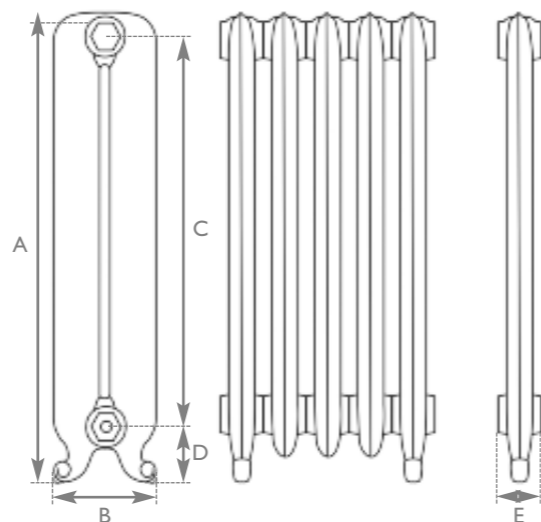
The Duchess cast iron radiator comes in two heights, 590mm and 785mm and is one of our most popular models.

The options of both floor standing and wall hung makes the Duchess 2 column a versatile cast iron radiator.

With its simple fresh appearance, it suits both traditional and contemporary properties and suits a wide range of painted finishes/hand burnished finishes which makes this a great choice for any room, any colour and any style of décor.



Left:  
Parchment  
White



Code	Section Height A (mm)	Section Width B (mm)	Section Height C (mm)	Section Height D (mm)	Section Width E (mm)	Delta 50		Delta 60		Weight (Kg)		Wall Stays (Suitable Fitting)						Electric Heating Elements		
						BTU's	Watts	BTU's	Watts	Empty	Filled	HAN103	HAN104	HAN205	HAN206	LD055	LD056	HEF035	Min sections	Min sections
TBK023/024	590	175	450	100	71	298	87	375	110	8.8	10.4	✓	✓	✓	✓	✓	✓	8 (14‡)	9 (17‡)	10 (23‡)
TBK021/022	785	175	640	100	71	382	112	481	141	11.6	13.6	✓	✓	✓	✓	✓	✓	8 (11‡)	9 (13‡)	10 (18‡)

(Electric Heating Elements) ‡Denotes the minimum number of sections required to achieve maximum heat output for the heating element. For the full range/finishes of electric heating elements, see page 75



The Duchess

Hand  
Burnished  
Height  
785mm



Left:  
Foundry Grey

Satin Polished  
Height 330mm

More paint finishes on page 3

## The Duchess 4 Column

Having low profile making it ideal for conservatories or under low window sills, the Duchess 4 column is a floor standing only cast iron radiator available in 1 height of 330mm. With its plain curved profile it suits a wide variety of applications, including traditional and contemporary properties.

The Duchess 4 column, looks fantastic in both metallic paint and polished options. This models design epitomises the 'traditional' cast iron radiator.



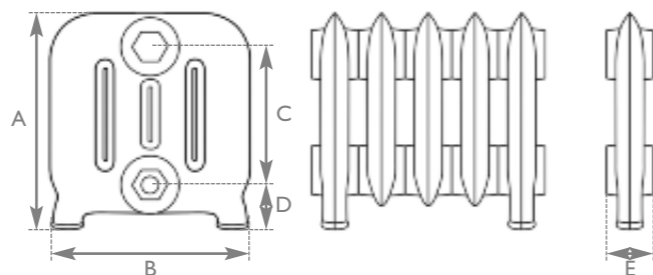
F&B Skylight  
Height 330mm

Antiqued French Grey  
Height 330mm

Hammered Bronze  
Height 330mm



Left:  
Vellum



The Duchess 4 Column

F&B House White  
Height 330mm



Code	Section Height A (mm)	Section Width B (mm)	Section Height C (mm)	Section Height D (mm)	Section Width E (mm)	Delta 50		Delta 60		Weight (Kg)		Wall Stays (Suitable Fitting)					Electric Heating Elements				
						BTU's	Watts	BTU's	Watts	Empty	Filled	HAN103	HAN104	HAN205	HAN206	LD055	LD056	HEF035	1200W Output	1500W Output	2000W Output
JJC055/056	330	310	205	70	75	286	84	357	105	8.3	10.1	X	X	X	X	X	X	X	Min sections	Min sections	Min sections
																			8 (14‡)	8 (18‡)	9 (24‡)

(Electric Heating Elements) ‡Denotes the minimum number of sections required to achieve maximum heat output for the heating element. For the full range/finishes of electric heating elements, see page 75





Left: F&B Vardo  
 Ancient Breeze Height 480mm  
 Buttermilk Height 620mm  
 Graphite Grey Height 770mm

More paint finishes on page 3



Powder Coated - Antiqued Silver Height 620mm

## The Eton

The Eton cast iron radiator characterises those which diligently served our public buildings, old schools and hospitals for many years.

Its plain design can be accentuated with the addition of a bespoke finish or looks stunning in the hand burnished finish.

Available in 3 heights - 480mm, 620mm or 770mm the Eton cast iron radiator can be floor standing or wall mounted.

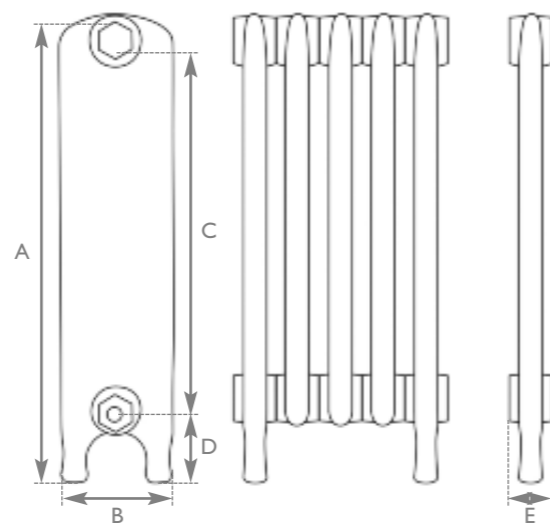


Aburstig Gold Leaf Height 770mm  
 Roberson Silver Blush Height 620mm  
 F&B Pitch Black Height 480mm

The Eton



Left: Powder Coated - Antiqued Silver



Electric Heating Elements

Code	Section Height A (mm)	Section Width B (mm)	Section Height C (mm)	Section Height D (mm)	Section Width E (mm)	Delta 50		Delta 60		Weight (Kg)		Wall Stays (Suitable Fitting)							Electric Heating Elements		
						BTU's	Watts	BTU's	Watts	Empty	Filled	HAN103	HAN104	HAN205	HAN206	LD055	LD056	HEF035	Min sections	Min sections	Min sections
JJC082/083	480	150	340	100	66	182	53	231	68	6.7	7.7	✓	✓	✓	✓	✓	X	✓	9 (23‡)	9 (28‡)	10 (38‡)
JJC080/081	620	150	480	100	66	226	66	283	83	7.7	9.0	✓	✓	✓	✓	✓	X	✓	9 (18‡)	9 (23‡)	10 (30‡)
JJC084/085	770	150	630	100	66	272	80	343	100	9.0	10.7	✓	✓	✓	✓	✓	X	✓	9 (15‡)	9 (19‡)	10 (25‡)



Hand Burnished Height 480mm



Left:  
F&B Mole's Breath



Satin Polished  
Height 765mm

More paint finishes on page 3



F&B  
Bone  
Height 765mm

Ancient  
Breeze  
Height 765mm

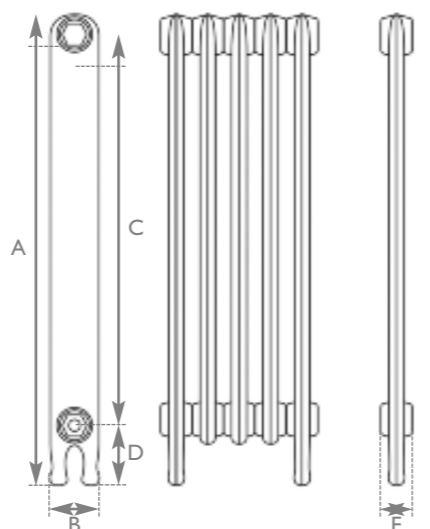
Antiqued  
French Grey  
Height 765mm

Hammered  
Bronze  
Height 765mm

Roberson  
Royal Gold  
Height 765mm

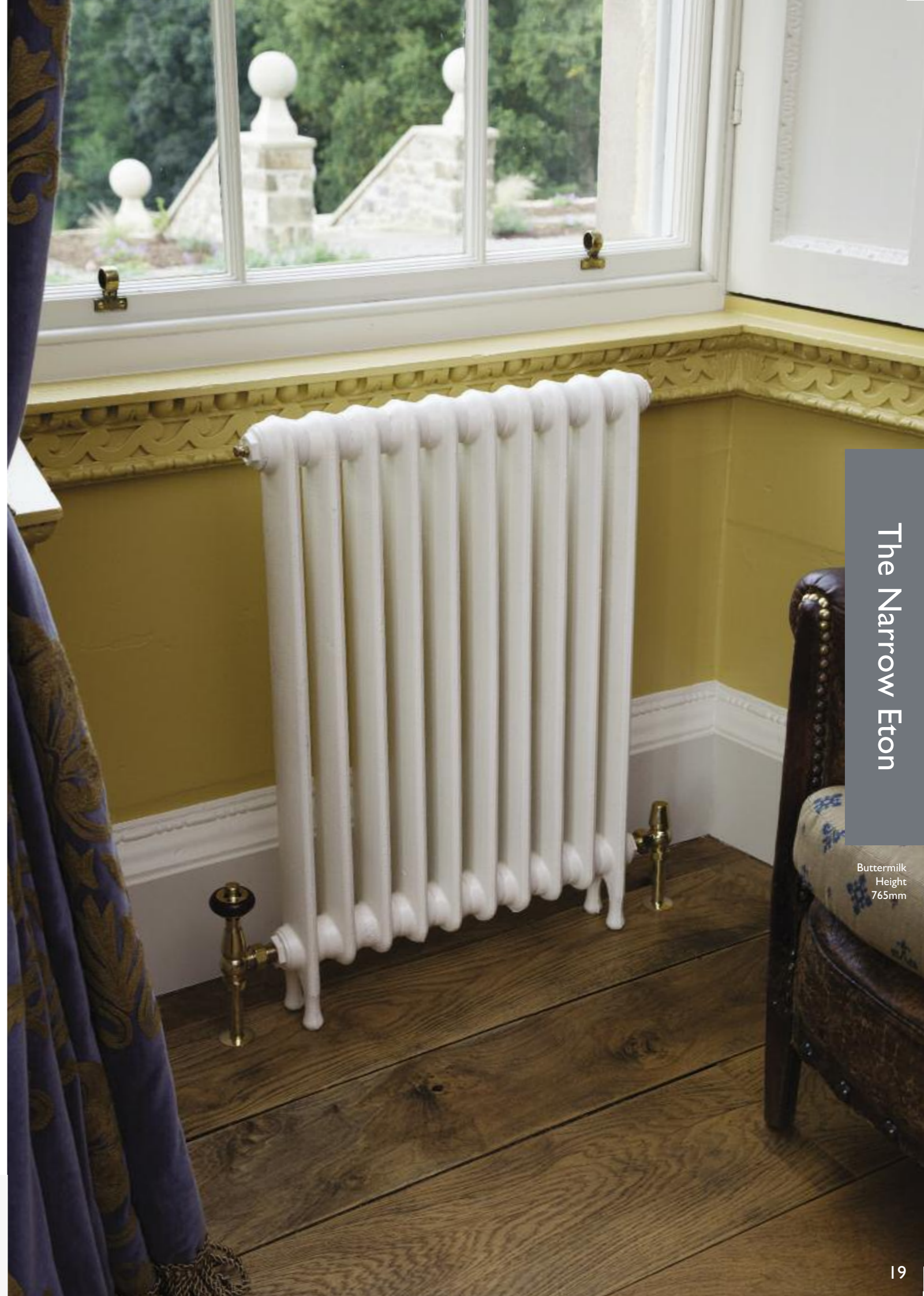


Left:  
Satin Polished



Code	Section Height A (mm)	Section Width B (mm)	Section Height C (mm)	Section Height D (mm)	Section Width E (mm)	Delta 50		Delta 60		Weight (Kg)		Wall Stays (Suitable Fitting)					Electric Heating Elements				
						BTU's	Watts	BTU's	Watts	Empty	Filled	HAN103	HAN104	HAN205	HAN206	LD055	LD056	HEF035	1200W Output	1500W Output	2000W Output
JJC053/054	765	80	603	100	50	173	51	218	64	4.7	5.3	✓	✓	✓	✓	✓	✓	X	Min sections	Min sections	Min sections
																			11 (24‡)	12 (29‡)	13 (39‡)

(Electric Heating Elements) ‡Denotes the minimum number of sections required to achieve maximum heat output for the heating element. For the full range/finishes of electric heating elements, see page 75



The Narrow Eton

Buttermilk  
Height 765mm



Left: Antiqued Buttermilk  
 Ancient Breeze Height 795mm  
 Parchment White Height 610mm

More paint finishes on page 3

## The Princess

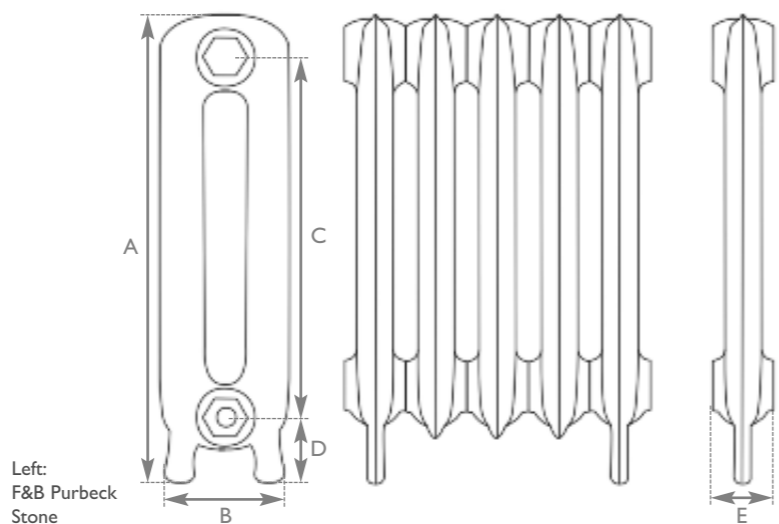
The shallow depth of 125mm make the Princess cast iron radiator ideal for hallways or similar narrow thoroughfares which spacing is critical.

With a variety of heights to choose from, 795mm, 610mm and 460mm, makes it easier to achieve the correct BTU's for the room being heated.

This popular model of radiator, works well in a wide section of colours and finishes such as hand burnished, painted or in one of our specialised metallic paints. This radiator can also be wall or floor mounted.



F&B Lulworth Blue Height 795mm  
 F&B Arsenic Height 795mm  
 Parchment White Height 610mm  
 French Grey Height 610mm  
 Hand Burnished Height 460mm  
 Foundry Grey Height 460mm



Left: F&B Purbeck Stone



The Princess

Hand Burnished Height 460mm

Code	Section Height A (mm)	Section Width B (mm)	Section Height C (mm)	Section Height D (mm)	Section Width E (mm)	Delta 50		Delta 60		Weight (Kg)		Electric Heating Elements								
						BTU's	Watts	BTU's	Watts	Empty	Filled	HAN103	HAN104	HAN205	HAN206	LD055	LD056	HEF035	1200W Output	1500W Output
TBK102/103	460	125	300	105	76	171	50	213	62	5.3	6.2	✓	✓	✓	✓	✓	✓	8 (24‡)	8 (30‡)	9 (40‡)
TBK104/105	610	125	450	105	75	226	66	281	83	7.8	8.8	✓	✓	✓	✓	✓	✓	8 (18‡)	8 (23‡)	9 (30‡)
TBK106/107	795	125	640	105	76	315	92	397	116	9.3	11.9	✓	✓	✓	✓	✓	✓	8 (13‡)	8 (16‡)	9 (22‡)

20 (Electric Heating Elements) ‡Denotes the minimum number of sections required to achieve maximum heat output for the heating element. For the full range/finishes of electric heating elements, see page 75



Left:  
Parchment White



F&B Calke Green  
Height 750mm

More paint finishes on page 3

## The Peerless 2 Column

The Peerless cast iron radiator in hand burnished was recently used in the Concord House project. This was a contemporary development of 15 loft style apartments and 4 luxury penthouses with extensive roof top terraces demonstrating the versatility of this vintage cast iron radiator design.

Also available as a 2 column model.



Hammered Gold  
Height 750mm

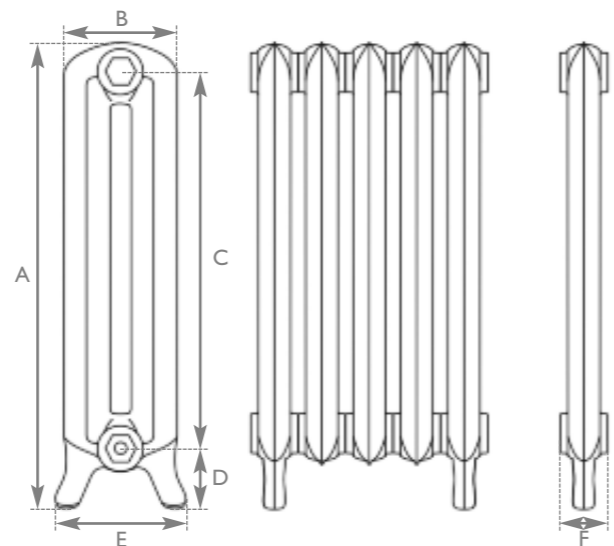
Antiqued  
French Grey  
Height 750mm

Pewter Lustre  
Height 550mm

F&B Pale Hound  
Height 550mm



Left:  
Satin Polished



Left:  
Satin Polished



## The Peerless

Ancient  
Breeze  
Height  
750mm

Code	Section Height A (mm)	Section Width B (mm)	Section Height C (mm)	Section Height D (mm)	Section Width E (mm)	Section Depth F (mm)	Delta 50		Delta 60		Weight (Kg)		Wall Stays (Suitable Fitting)							Electric Heating Elements		
							BTU's	Watts	BTU's	Watts	Empty	Filled	HANI03	HANI04	HAN205	HAN206	LD055	LD056	HEF03S	Min sections	Min sections	Min sections
TBK108/109	550	190	400	100	215	77	284	83	355	104	9.1	10.8	✓	✓	✓	✓	✓	✓	✓	8 (14‡)	8 (18‡)	9 (24‡)
TBK110/111	750	190	600	100	215	77	398	117	503	148	11.9	14.3	✓	✓	✓	✓	✓	✓	✓	8 (10‡)	8 (13‡)	9 (17‡)

(Electric Heating Elements) ‡Denotes the minimum number of sections required to achieve maximum heat output for the heating element. For the full range/finishes of electric heating elements, see page 75



Left:  
Highlight Polished

Parchment White  
Height 645mm

More paint finishes on page 3



Ancient Breeze  
Height 645mm



Antiqued  
French Grey  
Height 645mm



Roberson Bronze  
Height 645mm



Hammered Bronze  
Height 645mm

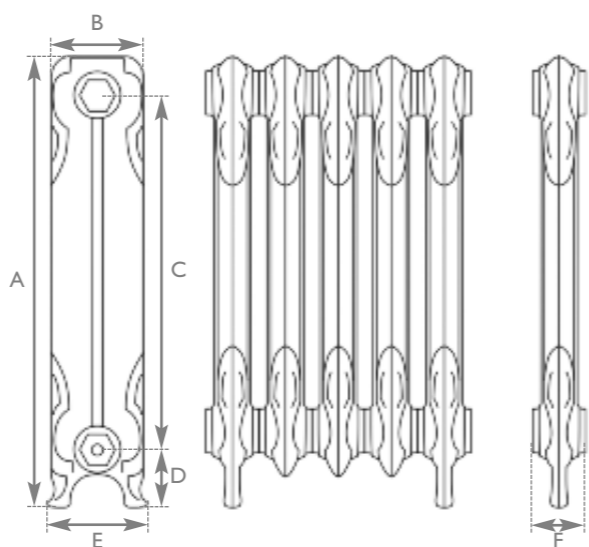
## The Liberty I Column

Inspired by the Art Nouveau movement, the Liberty cast iron radiator makes a superb statement piece within any décor but without a dominating floral pattern. Embracing the essence of this style with the flowing lines and detailed foot, the Liberty cast iron radiator is a versatile choice looking good in both painted and polished finishes.

Also available as a 2 column model.



Left:  
Antiqued Silver



The Liberty I Column

Satin  
Polished  
Height  
645mm



Code	Section Height A (mm)	Section Width B (mm)	Section Height C (mm)	Section Height D (mm)	Section Width E (mm)	Section Depth F (mm)	Delta 50		Delta 60		Weight (Kg)		Electric Heating Elements									
							BTU's	Watts	BTU's	Watts	Empty	Filled	HANI03	HANI04	HAN205	HAN206	LD055	LD056	HEF035	1200W Output	1500W Output	2000W Output
TBK044/045	645	135	500	95	145	81	300	88	374	110	7.2	9.3	✓	✓	✓	✓	✓	✓	✓	7 (14‡)	8 (17‡)	9 (23‡)

(Electric Heating Elements) ‡Denotes the minimum number of sections required to achieve maximum heat output for the heating element. For the full range/finishes of electric heating elements, see page 75



Left:  
Gold Leaf Aged Purple



Gold Leaf Italian Aged Red  
Height 865mm

More paint finishes on page 3



Highlight Polish  
Height 865mm

Willow Green  
Height 865mm

Foundry Grey  
Height 865mm

Gold Leaf Aged Black  
Height 865mm

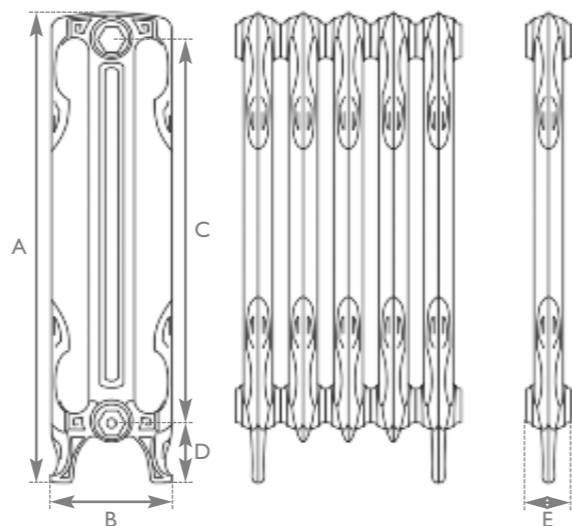
## The Liberty 2 Column

Inspired by the Art Nouveau movement, the Liberty cast iron radiator makes a superb statement piece within any décor but without a dominating floral pattern. Embracing the essence of this style with the flowing lines and detailed foot, the Liberty cast iron radiator is a versatile choice looking good in both painted and polished finishes.

Also available as a 1 column model.



Left:  
Satin Polished



## The Liberty 2 Column

Satin Polished  
Height 865mm



Code	Section Height A (mm)	Section Width B (mm)	Section Height C (mm)	Section Height D (mm)	Section Width E (mm)	Delta 50		Delta 60		Weight (Kg)		Electric Heating Elements								
						BTU's	Watts	BTU's	Watts	Empty	Filled	HAN103	HAN104	HAN205	HAN206	LD055	LD056	HEF035	1200W Output Min sections	1500W Output Min sections
TBK042/043	865	220	700	120	81	537	157	685	201	14.3	18.0	✓	✓	✓	✓	✓	✓	7 (8‡)	8 (10‡)	9 (13‡)

(Electric Heating Elements) ‡Denotes the minimum number of sections required to achieve maximum heat output for the heating element. For the full range/finishes of electric heating elements, see page 75



Left:  
Satin Polished

Vintage Copper  
Height 790mm

More paint finishes on page 3



Highlight Polish  
Height 790mm

Satin Polished  
Height 790mm

Roberson Royal Gold  
Height 790mm

Hammered Bronze  
Height 790mm

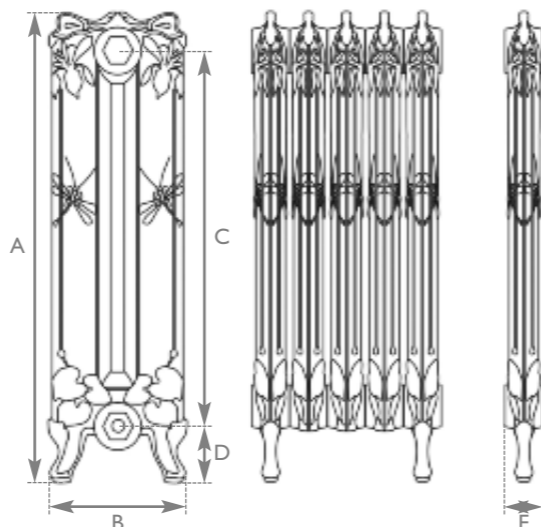
## The Dragonfly

The Dragonfly Cast iron radiator epitomises organic Art Nouveau design. Featuring lily pads, bull rushes, and as the radiator name suggests, dragonflies, this cast iron radiator boasts a unique ornate feet detail. An impressive output of 462 BTU's per section make this 790mm cast iron radiator great performer as well as aesthetically pleasing.

The extensive detail on this cast iron radiator is further enhanced by selecting our specialist patina finish, antique French grey.



Left:  
F&B Yellow Ground



## The Dragonfly

Antiqued  
French Grey  
Height  
790mm



Code	Section Height A (mm)	Section Width B (mm)	Section Height C (mm)	Section Height D (mm)	Section Width E (mm)	Delta 50		Delta 60		Weight (Kg)		Wall Stays (Suitable Fitting)					Electric Heating Elements				
						BTU's	Watts	BTU's	Watts	Empty	Filled	HAN103	HAN104	HAN205	HAN206	LD055	LD056	HEF035	1200W Output	1500W Output	2000W Output
TBK046/047	790	225	620	105	85	462	136	578	169	12.2	15.1	✓	✓	✓	✓	✓	✓	✓	7 (9‡)	8 (11‡)	8 (15‡)

(Electric Heating Elements) ‡Denotes the minimum number of sections required to achieve maximum heat output for the heating element. For the full range/finishes of electric heating elements, see page 75



Left:  
Highlight Polished



Roberson Pewter  
Height 585mm & 795mm

More paint finishes on page 3



Antiqued  
French Grey  
Height 795mm



Vellum  
Height 795mm



Roberson  
Old Silver  
Height 585mm



F&B  
Borrowed Light  
Height 585mm

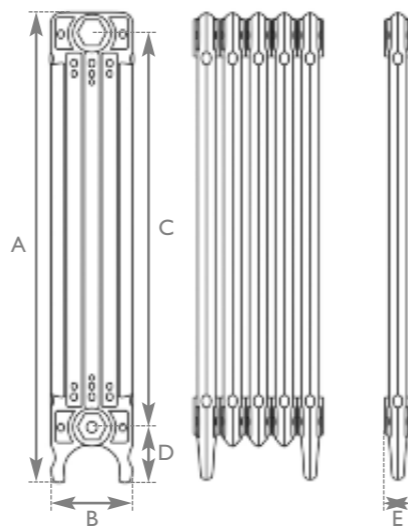
## The Deco

With its strong geometric forms, bring a touch of 1930s glamour to your home with the Deco cast iron radiator. The subtle Art Deco detailing transforms this radiator into an elegant option to some of our more highly decorative models and can suit a more minimalist setting.

Available in two heights of 585mm and 795mm, this model is suitable for both floor and wall mounting.



Left:  
Satin Polished



## The Deco

Parchment  
White  
Height  
795mm



Code	Section Height A (mm)	Section Width B (mm)	Section Height C (mm)	Section Height D (mm)	Section Width E (mm)	Delta 50				Delta 60				Electric Heating Elements							
						BTU's	Watts	BTU's	Watts	Empty	Filled	HAN103	HAN104	HAN205	HAN206	LD055	LD056	HEF035	1200W Output	1500W Output	2000W Output
TBK050/051	585	140	450	100	52	202	59	253	74	5.2	6.3	✓	✓	✓	✓	X	X	✓	11 (20‡)	11 (25‡)	12 (34‡)
TBK048/049	795	140	660	100	52	267	78	337	99	7.1	8.4	✓	✓	✓	✓	X	X	✓	11 (15‡)	11 (19‡)	12 (26‡)

(Electric Heating Elements) ‡Denotes the minimum number of sections required to achieve maximum heat output for the heating element. For the full range/finishes of electric heating elements, see page 75





Left: Hand Burnished  
Height 780mm



Vintage Copper  
Height 780mm

More paint finishes on page 3

## The Daisy

With the daisy design organically growing from scroll detailed feet, combined with the arched top adorned with further daisy and ribbon detail, it's of no surprise the Daisy cast iron radiator is our most popular decorative design.

French in origin and dating from the 1890s the Daisy cast iron radiator is available in two heights, 595mm and 780mm making it a versatile radiator for use throughout the home.



Highlight Polish  
Height 780mm

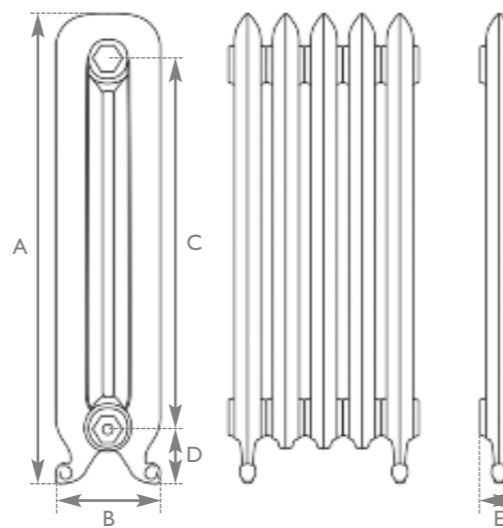
F&B Stone Blue  
Height 780mm

Pewter Lustre  
Height 595mm

Buttermilk  
Height 595mm

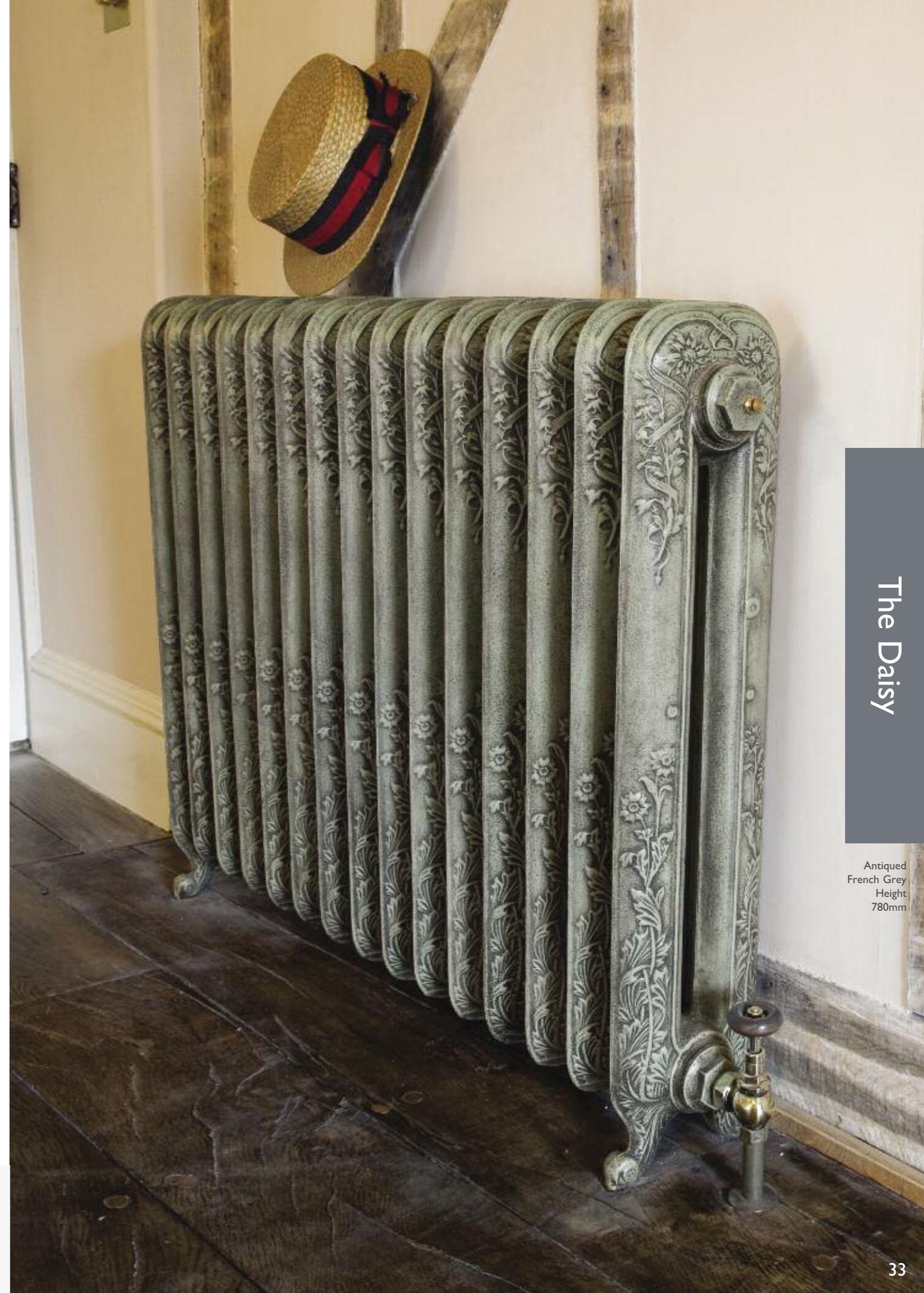


Left:  
Hand Burnished



## The Daisy

Antiqued  
French Grey  
Height  
780mm



Code	Section Height A (mm)	Section Width B (mm)	Section Height C (mm)	Section Height D (mm)	Section Width E (mm)	Delta 50		Delta 60		Weight (Kg)		Wall Stays (Suitable Fitting)						Electric Heating Elements			
						BTU's	Watts	BTU's	Watts	Empty	Filled	HAN103	HAN104	HAN205	HAN206	LD055	LD056	HEF035	1200W Output	1500W Output	2000W Output
TBK086/087	595	175	400	110	66	270	79	338	99	8.6	10.1	✓	✓	✓	✓	✓	✓	✓	9 (15‡)	9 (19‡)	10 (25‡)
TBK084/085	780	175	600	95	66	362	106	456	134	11.3	13.3	✓	✓	✓	✓	✓	✓	✓	9 (11‡)	9 (14‡)	10 (19‡)

(Electric Heating Elements) ‡Denotes the minimum number of sections required to achieve maximum heat output for the heating element. For the full range/finishes of electric heating elements, see page 75



Left:  
Satin Polished



Copper Leaf & Verdigris  
Height 800mm

More paint finishes on page 3

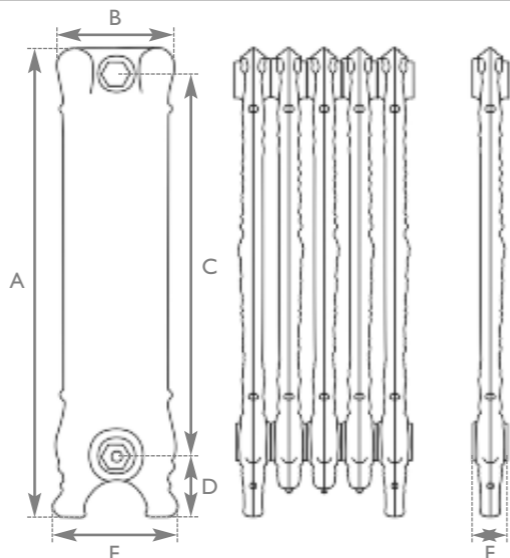


Roberson Old Silver  
Height 800mm

Highlight Polish  
Height 800mm

Gold Leaf Aged Black  
Height 800mm

F&B Hay  
Height 800mm



Left:  
Antiqued  
Hammered Gold

## The Verona

The versatile Verona cast iron radiator was originally manufactured in Massachusetts – USA by the revered American Radiator Company. The sections are heavily detailed with cherubs, dragons and lions and are entwined with vine leaves.

Using bespoke finishes such as antiqued French grey or selecting one of the burnished options further highlight this cast iron radiators superb detail.

The Verona

Hand  
Burnished  
Height  
800mm



Code	Section Height A (mm)	Section Width B (mm)	Section Height C (mm)	Section Height D (mm)	Section Width E (mm)	Section Depth F (mm)	Delta 50		Delta 60		Weight (Kg)		Wall Stays (Suitable Fitting)					Electric Heating Elements				
							BTU's	Watts	BTU's	Watts	Empty	Filled	HANI03	HANI04	HAN205	HAN206	LD055	LD056	HEF035	1200W Output	1500W Output	2000W Output
LD005/006	800	200	640	110	215	62	384	112	488	143	14.3	16.5	✓	✓	✓	✓	X	X	✓	Min sections	Min sections	Min sections
																			9 (11‡)	10 (13‡)	11 (18‡)	

(Electric Heating Elements) ‡Denotes the minimum number of sections required to achieve maximum heat output for the heating element. For the full range/finishes of electric heating elements, see page 75



Left:  
Hand Burnished  
Height 795mm



Roberson Autumn Gold Highlight  
Height 500mm



Hammered Gold  
Height 810mm

Right:  
Antiqued  
Hammered Gold  
Height 810mm



## The Ribbon 2 & 4 Column

The 2 column Ribbon is available in 3 heights and features a Celtic band pattern gracefully flowing down the radiator.

Originally manufactured by the American Radiator Company, circa 1880, originals of this model can be typically found in churches throughout the world.

If a higher heat output is required we also offer the Ribbon 4 column radiator.

More paint finishes on page 3

More paint finishes on page 3



Ancient Breeze  
Height 795mm  
2 Columns

F&B Pigeon  
Height 650mm  
2 Columns

Vellum  
Height 500mm  
2 Columns



Highlight Polish  
Height 810mm  
4 Columns

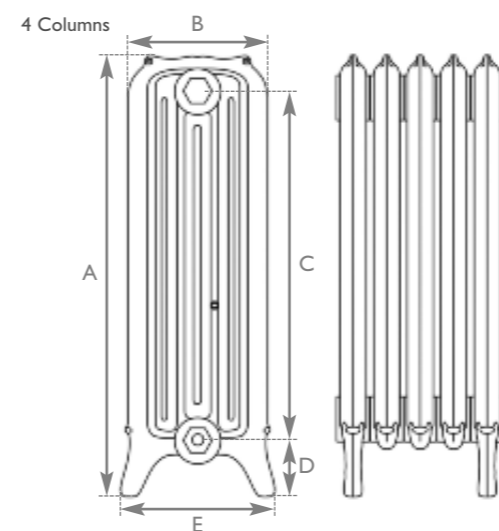
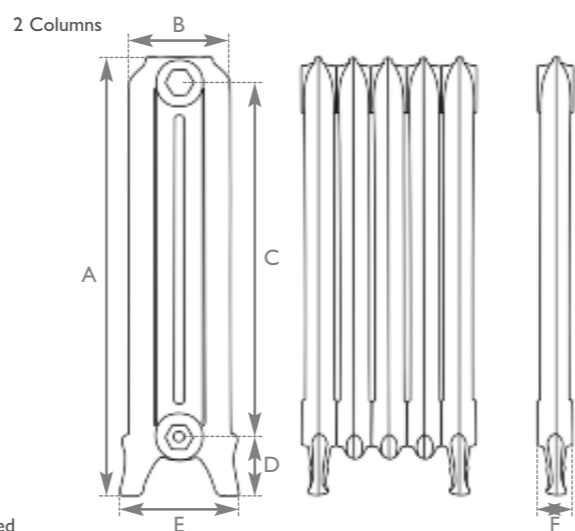
Roberson Baroque  
Height 810mm  
4 Columns

F&B Dix Blue  
Height 810mm  
4 Columns

Right:  
F&B  
Stiffkey  
Blue



Left:  
Hand Burnished



Right:  
Satin Polished



The Ribbon

Code	Section Height A (mm)	Section Width B (mm)	Section Height C (mm)	Section Height D (mm)	Section Width E (mm)	Section Depth F (mm)	Electric Heating Elements															
							Delta 50		Delta 60		Weight (Kg)		Wall Stays (Suitable Fitting)						1200W Output	1500W Output	2000W Output	
							BTU's	Watts	BTU's	Watts	Empty	Filled	HAN103	HAN104	HAN205	HAN206	LD055	LD056	HEF035	Min sections	Min sections	Min sections
JJC014/015	500	185	340	110	215	67	227	67	282	83	8.3	10.0	✓	✓	✓	✓	✓	X	9 (18‡)	9 (22‡)	10 (30‡)	
JJC001/002	650	185	485	110	215	67	298	87	371	109	10.9	12.9	✓	✓	✓	✓	✓	X	9 (14‡)	9 (17‡)	10 (23‡)	
JJC010/011	795	185	630	110	215	67	388	114	490	144	11.8	14.6	✓	✓	✓	✓	✓	X	9 (11‡)	9 (13‡)	10 (18‡)	

Code	Section Height A (mm)	Section Width B (mm)	Section Height C (mm)	Section Height D (mm)	Section Width E (mm)	Section Depth F (mm)	Electric Heating Elements															
							Delta 50		Delta 60		Weight (Kg)		Wall Stays (Suitable Fitting)						1200W Output	1500W Output	2000W Output	
							BTU's	Watts	BTU's	Watts	Empty	Filled	HAN103	HAN104	HAN205	HAN206	LD055	LD056	HEF035	Min sections	Min sections	Min sections
JJC064/065	810	265	630	112	290	71	579	170	740	217	19.2	22.0	✓	✓	✓	✓	✓	✓	X	8 (7‡)	9 (9‡)	10 (12‡)

(Electric Heating Elements) ‡Denotes the minimum number of sections required to achieve maximum heat output for the heating element. For the full range/finishes of electric heating elements, see page 75



Left:  
F&B New White

Highlight Polish  
Height 985mm

More paint finishes on page 3



Graphite Grey  
Height: 985mm

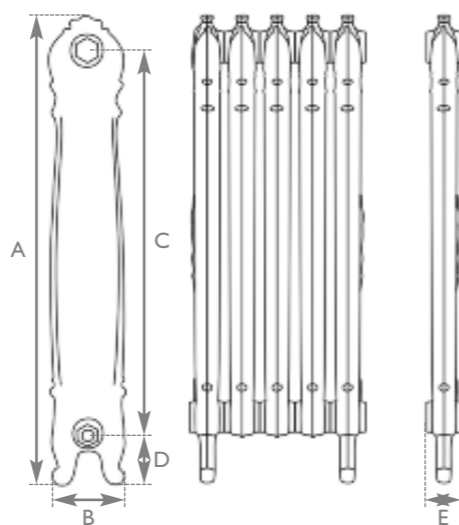
Roberson Pale Gold  
Height: 985mm

F&B Mouse's Back  
Height: 985mm

Ancient Breeze  
Height: 985mm

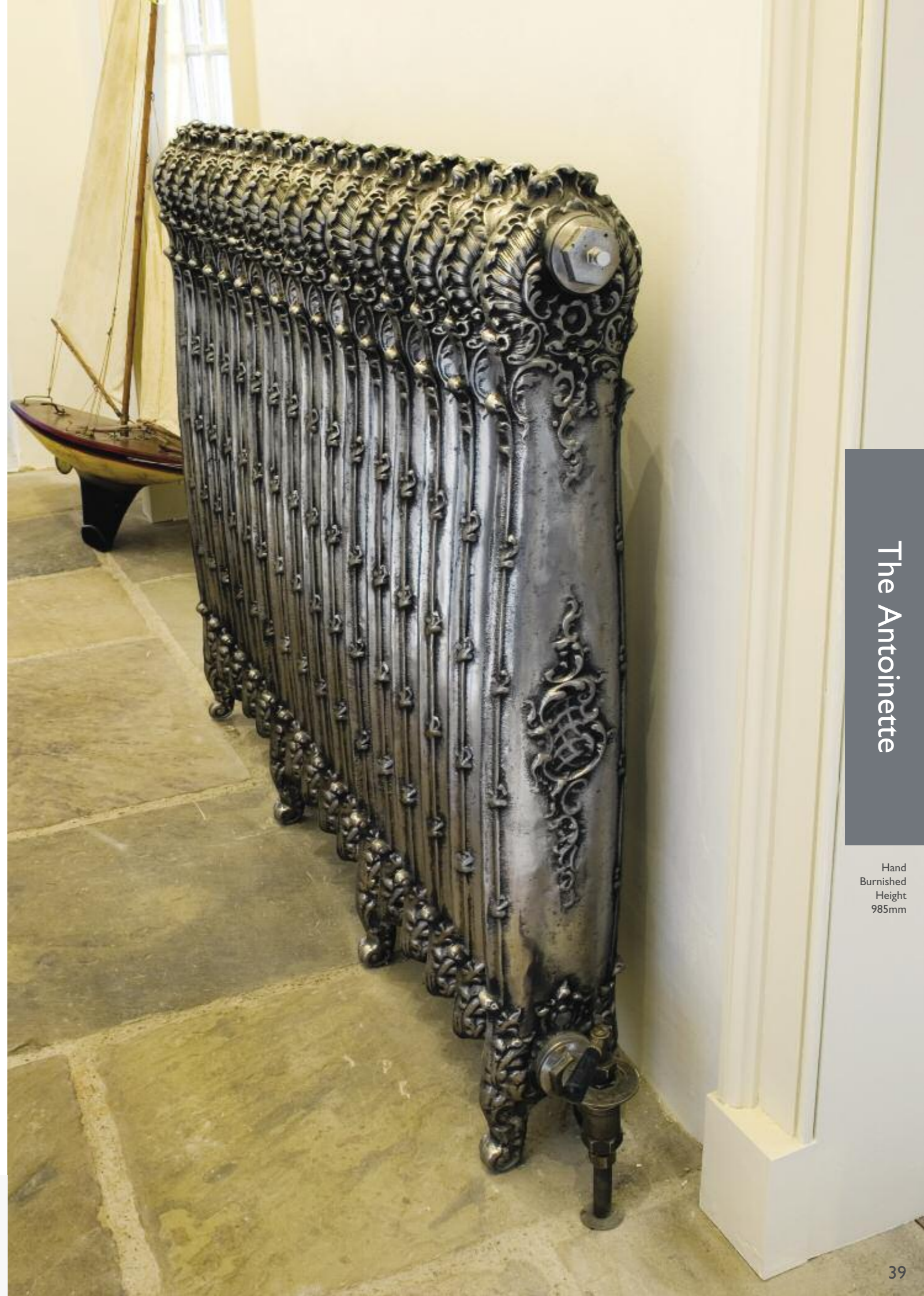


Left:  
Hand Burnished



Code	Section Height A (mm)	Section Width B (mm)	Section Height C (mm)	Section Height D (mm)	Section Width E (mm)	Delta 50		Delta 60		Weight (Kg)		Wall Stays (Suitable Fitting)					Electric Heating Elements				
						BTU's	Watts	BTU's	Watts	Empty	Filled	HAN103	HAN104	HAN205	HAN206	LD055	LD056	HEF035	1200W Output	1500W Output	2000W Output
LD180/181	985	155	790	125	76	425	125	538	158	14.1	16.3	✓	✓	✓	✓	✓	✓	X	Min sections	Min sections	Min sections
																			8 (10‡)	8 (12‡)	9 (16‡)

(Electric Heating Elements) ‡Denotes the minimum number of sections required to achieve maximum heat output for the heating element. For the full range/finishes of electric heating elements, see page 75



The Antoinette

Hand Burnished  
Height 985mm



Left:  
F&B  
Inchyra Blue



Parchment White  
Height 670mm

More paint finishes on page 3

## The Churchill

Originally the Churchill cast iron radiator style was heavy featured in government buildings. Due to its extraordinary high BTU output, up to 591 BTU's per section, making this cast iron radiator perfect for heating larger rooms.

Dating from the 1880s, this robust highly functional design is available in 2 heights, 670mm and 975mm. With its industrial styling, metallic painted finishes complete the look.



F&B House White  
Height 975mm

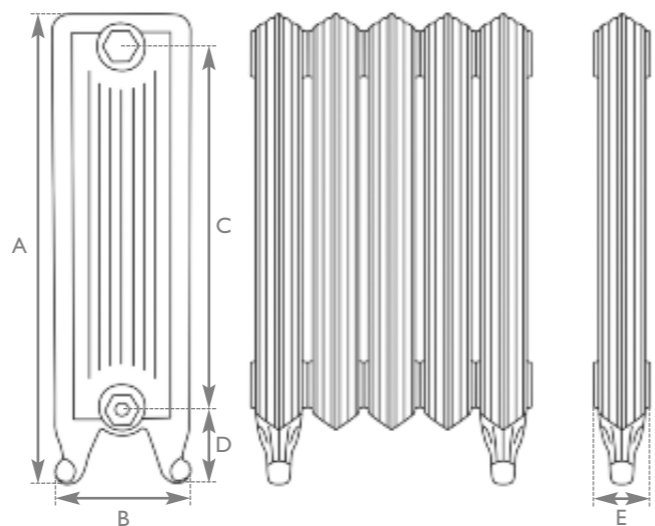
Foundry Grey  
Height 975mm

Roberson Pewter  
Height 670mm

Vintage Copper  
Height 670mm

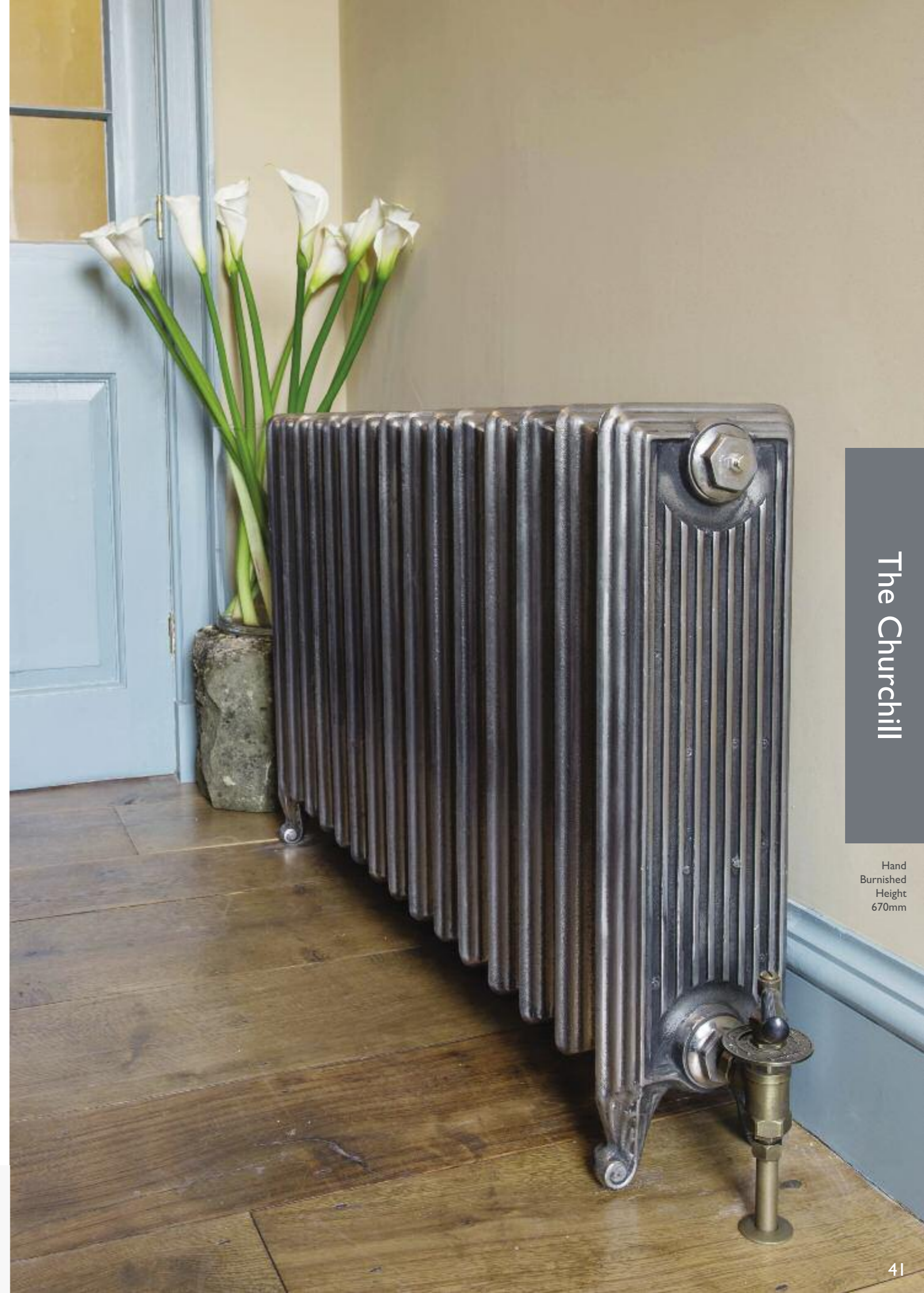


Left:  
Hand Burnished



The Churchill

Hand Burnished  
Height 670mm



Code	Section Height A (mm)	Section Width B (mm)	Section Height C (mm)	Section Height D (mm)	Section Width E (mm)	Delta 50		Delta 60		Weight (Kg)		Wall Stays (Suitable Fitting)						Electric Heating Elements		
						BTU's	Watts	BTU's	Watts	Empty	Filled	HAN103	HAN104	HAN205	HAN206	LD055	LD056	HEF035	1200W Output	1500W Output
LD080/081	670	195	500	115	76	431	126	532	156	14.9	17.3	✓	✓	✓	✓	✓	X	8 (10‡)	8 (12‡)	9 (16‡)
LD082/083	975	195	790	140	80	591	173	755	221	24.6	28.5	✓	✓	✓	✓	✓	X	7 (7‡)	8 (9‡)	9 (12‡)

(Electric Heating Elements) ‡Denotes the minimum number of sections required to achieve maximum heat output for the heating element. For the full range/finishes of electric heating elements, see page 75



Hand Burnished  
Height 950mm



Vintage Copper  
Height 660mm

Left:  
F&B Mizzle

More paint finishes on page 3



Vellum  
Height 950mm  
I Column



Foundry Grey  
Height 950mm  
I Column



Antiqued  
Willow Green  
Height 660mm  
I Column

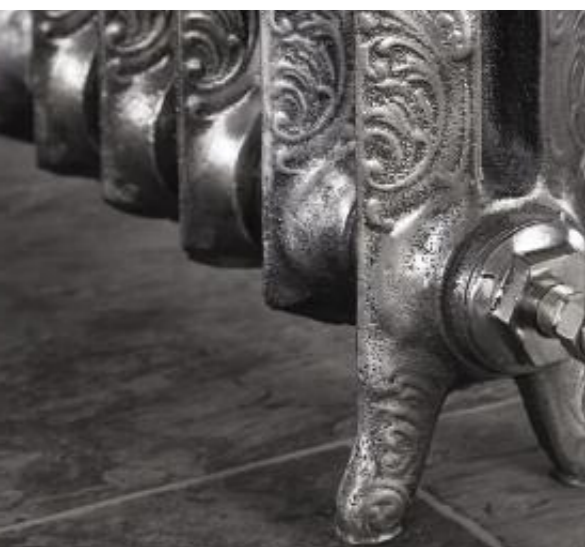


Highlight Polish  
Height 660mm  
I Column

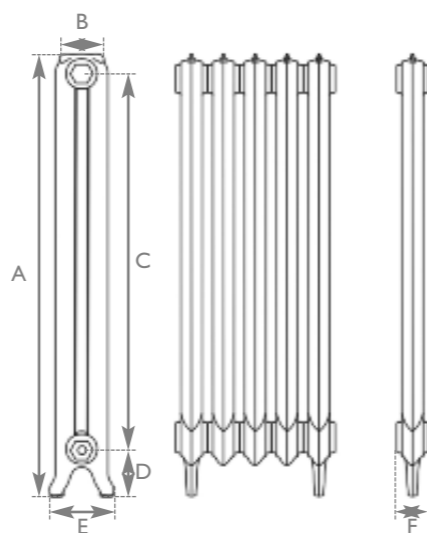
## The Rococo I Column

With elegant French styling featuring a decorative eared scroll top, the Rococo offers our largest range of models of one design. With 6 models across the range, the Rococo cast iron radiator comes in a choice of columns: - single column, ideal for narrow spaces such as hallways, 2 column and 3 column, great for when heating larger rooms. With such variety available, this allows the option to complete a whole project with one radiator style.

Bring out the beauty of the decoration by utilising the burnished or patina finishes.

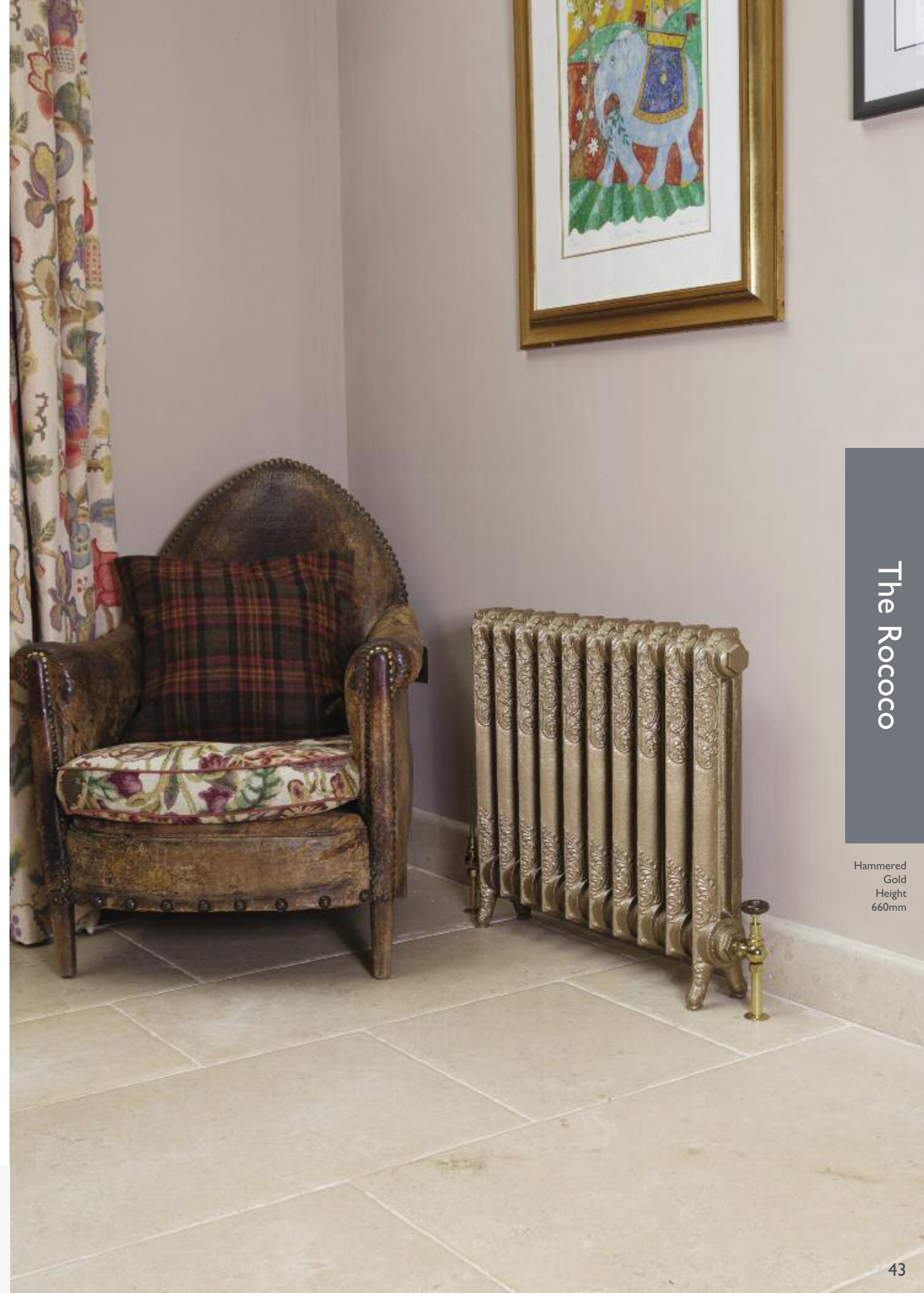


Left:  
Hand Burnished



## The Rococo

Hammered  
Gold  
Height  
660mm



Code	Section Height A (mm)	Section Width B (mm)	Section Height C (mm)	Section Height D (mm)	Section Width E (mm)	Section Depth F (mm)	Delta 50		Delta 60		Weight (Kg)		Wall Stays (Suitable Fitting)						Electric Heating Elements		
							BTU's	Watts	BTU's	Watts	Empty	Filled	HANI03	HANI04	HAN205	HAN206	LD055	LD056	HEF035	1200W Output	1500W Output
LD221/222	660	115	500	110	140	75	237	69	297	87	8.1	10.1	✓	✓	✓	✓	✓	✓	8 (17‡)	8 (22‡)	9 (29‡)
LD217/218	950	115	790	110	140	75	329	96	410	120	10.8	12.1	✓	✓	✓	✓	✓	✓	8 (12‡)	8 (16‡)	9 (21‡)

(Electric Heating Elements) ‡Denotes the minimum number of sections required to achieve maximum heat output for the heating element. For the full range/finishes of electric heating elements, see page 75



Hammered Gold  
Height 960mm



Highlight Polish  
Height 560mm

Left:  
Antiqued French Grey

More paint finishes on page 3



Hand Burnished  
Height 960mm  
2 Columns



F&B Mole's Breath  
Height 960mm  
2 Columns



Roberson  
Autumn Gold  
Height 560mm  
2 Columns



Antiqued F&B Eating  
Room Red  
Height 560mm  
2 Columns

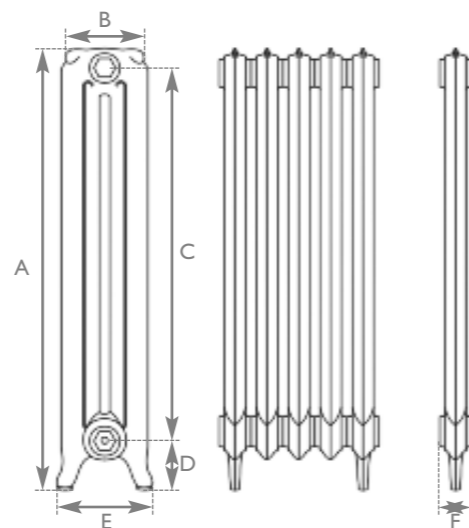
## The Rococo 2 Column

With elegant French styling featuring a decorative eared scroll top, the Rococo offers our largest range of models of one design. With 6 models across the range, the Rococo cast iron radiator comes in a choice of columns: - single column, ideal for narrow spaces such as hallways, 2 column and 3 column, great for when heating larger rooms. With such variety available, this allows the option to complete a whole project with one radiator style.

Bring out the beauty of the decoration by utilising the burnished or patina finishes.



Left:  
Hand Burnished



The Rococo

Graphite  
Grey  
Height  
960mm



Code	Section Height A (mm)	Section Width B (mm)	Section Height C (mm)	Section Height D (mm)	Section Width E (mm)	Section Depth F (mm)	Delta 50		Delta 60		Weight (Kg)		Wall Stays (Suitable Fitting)							Electric Heating Elements		
							BTU's	Watts	BTU's	Watts	Empty	Filled	HANI03	HANI04	HAN205	HAN206	LD055	LD056	HEF035	Min sections	Min sections	Min sections
LD232/233	560	185	400	110	205	73	288	85	361	106	8.0	9.5	✓	✓	✓	✓	✓	✓	✓	8 (14‡)	9 (18‡)	9 (24‡)
TBK088/089	960	185	790	110	205	73	489	143	616	181	16.6	19.4	✓	✓	✓	✓	✓	✓	✓	8 (8‡)	9 (10‡)	9 (14‡)

(Electric Heating Elements) ‡Denotes the minimum number of sections required to achieve maximum heat output for the heating element. For the full range/finishes of electric heating elements, see page 75



Left:  
Antiqued  
Hammered Gold



Hand Burnished  
Height 460mm

More paint finishes on page 3

## The Rococo 3 Column

With elegant French styling featuring a decorative eared scroll top, the Rococo offers our largest range of models of one design. With 6 models across the range, the Rococo cast iron radiator comes in a choice of columns: - single column, ideal for narrow spaces such as hallways, 2 column and 3 column, great for when heating larger rooms. With such variety available, this allows the option to complete a whole project with one radiator style.

Bring out the beauty of the decoration by utilising the burnished or patina finishes.



Highlight Polish  
Height 780mm  
3 Columns

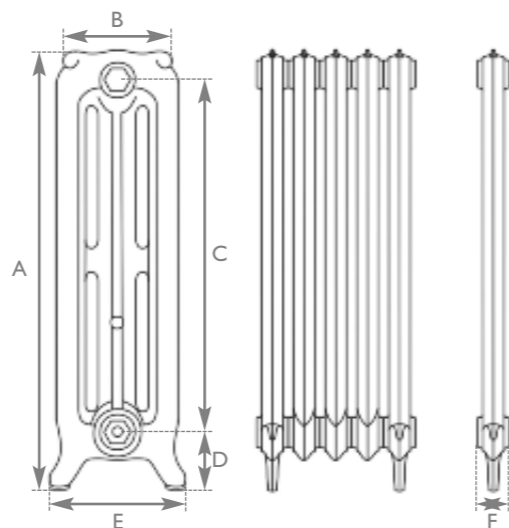
Antiqued French Grey  
Height 780mm  
3 Columns

F&B Brassica  
Height 460mm  
3 Columns

Parchment White  
Height 460mm  
3 Columns



Left:  
Hand Burnished



The Rococo

Hand  
Burnished  
Height  
780mm

Code	Section Height A (mm)	Section Width B (mm)	Section Height C (mm)	Section Height D (mm)	Section Width E (mm)	Section Depth F (mm)	Delta 50		Delta 60		Weight (Kg)		Wall Stays (Suitable Fitting)						Electric Heating Elements			
							BTU's	Watts	BTU's	Watts	Empty	Filled	HANI03	HANI04	HAN205	HAN206	LD055	LD056	HEF035	Min sections	Min sections	Min sections
TBK065/066	460	225	280	110	250	75	289	85	362	106	9.6	10.7	✓	✓	✓	✓	✓	✓	✓	8 (14‡)	8 (18‡)	9 (24‡)
LD030/031*	780	225	600	110	250	66	467	137	592	174	15.2	17	✓	✓	✓	✓	✓	✓	✓	9 (9‡)	9 (11‡)	10 (15‡)

(Electric Heating Elements) ‡Denotes the minimum number of sections required to achieve maximum heat output for the heating element. For the full range/finishes of electric heating elements, see page 75  
\* With decoration on front







Left:  
Antiqued Parchment White

Hammered Gold  
Height 675mm

More paint finishes on page 3

## The Chelsea

The design was originally commissioned for Chelsea Barracks officers mess, circa 1900. The Chelsea cast iron radiator is elaborately decorated with a flowing leaf design and embellished with a rose detail on the both the outer leg sections and the inlet bushings. Selecting an antique patina or the highlight polish can be used to further enhance this unique cast iron radiator.

This unusual design would make a statement in any room and with a height of 675mm would fit under most window sills.

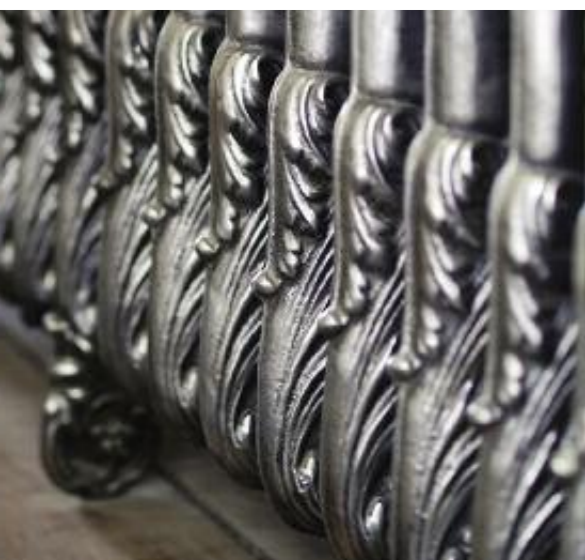


Highlight Polish  
Height 675mm

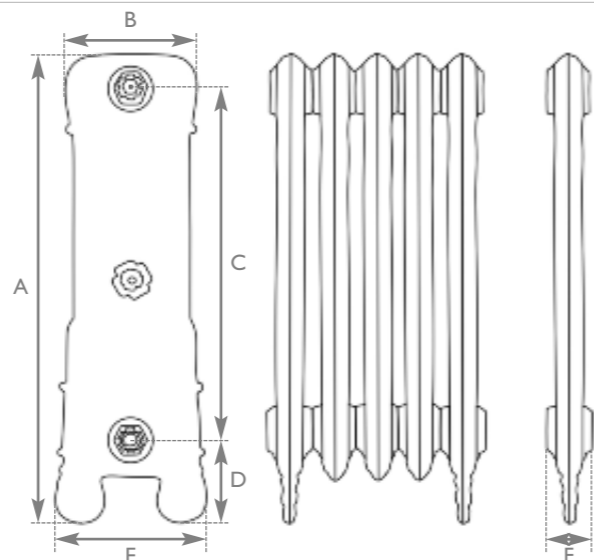
F&B Pavilion Gray  
Height 675mm

F&B Oval Room  
Blue  
Height 675mm

Roberson  
Regency Gold  
Height 675mm



Left:  
Hand Burnished

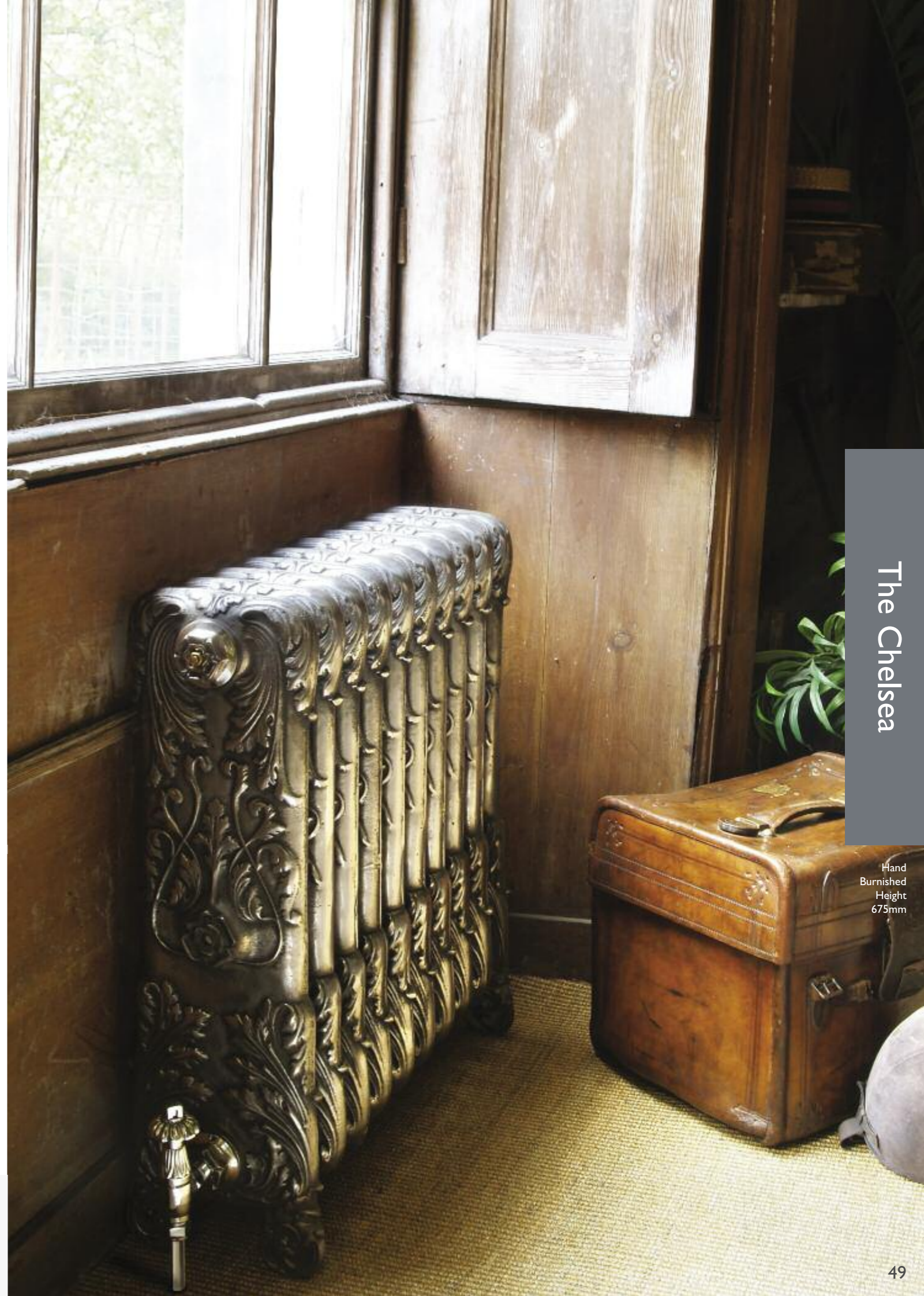


The Chelsea

Hand  
Burnished  
Height  
675mm

Code	Section Height A (mm)	Section Width B (mm)	Section Height C (mm)	Section Height D (mm)	Section Width E (mm)	Section Depth F (mm)	Delta 50		Delta 60		Weight (Kg)		Electric Heating Elements										
							BTU's	Watts	BTU's	Watts	Empty	Filled	Wall Stays (Suitable Fitting)			1200W Output	1500W Output	2000W Output					
														HANI03	HANI04	HAN205	HAN206	LD055	LD056	HEF035	Min sections	Min sections	Min sections
LD063/064	675	195	500	125	220	66	338	99	426	125	13.3	14.8		✓	✓	✓	✓	✓	✓	✓	9 (12‡)	9 (15‡)	10 (20‡)

(Electric Heating Elements) ‡Denotes the minimum number of sections required to achieve maximum heat output for the heating element. For the full range/finishes of electric heating elements, see page 75





Left:  
F&B Down Pipe

Hand Burnished  
Height 980mm

More paint finishes on page 3



Antiqued  
Hammered Gold  
Height 980mm

F&B Shadow  
White  
Height 980mm

Roberson  
Steel Grey  
Height 980mm

Vellum  
Height 980mm

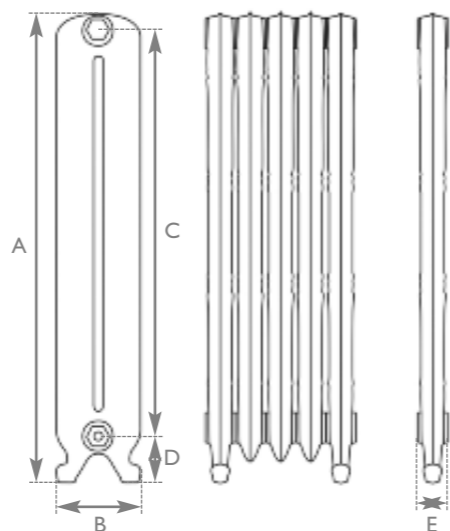
## The Orleans

The fluid lines inspired by the Art Nouveau movement ensure this cast iron radiator will make a statement in any room. With a height of 980mm, this impressive radiator provides an exceptional heat output of 468 BTU's per section making it the perfect choice for heating larger spaces. This model can be used as either floor standing or wall mounted.

Accentuate the detail further by choosing from our antiqued patina finish or the extravagant hand burnished.



Left:  
Highlight Polish



The Orleans

Antiqued  
French Grey  
Height  
980mm



Code	Section Height A (mm)	Section Width B (mm)	Section Height C (mm)	Section Height D (mm)	Section Width E (mm)	Delta 50		Delta 60		Weight (Kg)		Electric Heating Elements									
						BTU's	Watts	BTU's	Watts	Empty	Filled	HAN103	HAN104	HAN205	HAN206	LD055	LD056	HEF035	Min sections	Min sections	Min sections
LD236/237	980	175	840	100	65	468	137	593	174	17.3	20.0	✓	✓	✓	✓	✓	✓	✓	9 (9‡)	9 (11‡)	10 (15‡)

(Electric Heating Elements) ‡Denotes the minimum number of sections required to achieve maximum heat output for the heating element. For the full range/finishes of electric heating elements, see page 75



Left:  
Satin Polished



F&B Parma Gray  
Height 765mm

More paint finishes on page 3



F&B Mouse's Back  
Height 765mm

Antiqued  
French Grey  
Height 765mm

Hammered Bronze  
Height 765mm

Roberson  
Warm Platinum  
Height 765mm

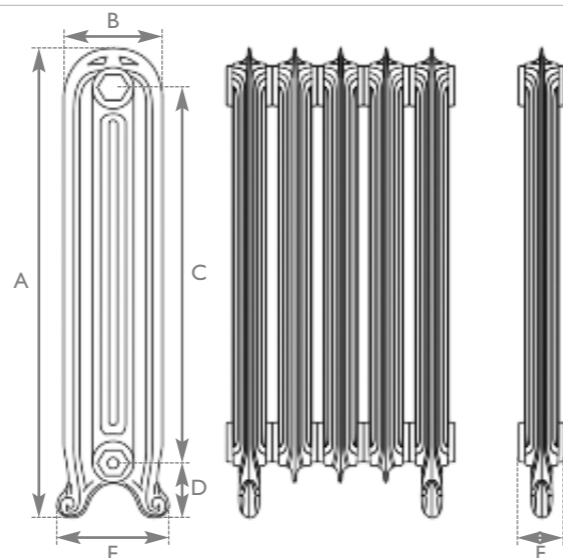
## The Tuscany

The subtle pattern detail with symmetrical vertical lines, create a contemporary feel to the Tuscany cast iron radiator. The concave section profile and the curvature of the top makes this suitable for both modern and period settings. Suiting the darker range of the paint palette, this elegant cast iron radiator would prove a great addition to any room.

This radiator can be either floor standing or wall mounted, available in a height of 765mm commanding a BTU output of 372 per section.



Left:  
F&B Brassica



Left:  
F&B Brassica

The Tuscany

Satin  
Polished  
Height  
765mm



Code	Section Height A (mm)	Section Width B (mm)	Section Height C (mm)	Section Height D (mm)	Section Width E (mm)	Section Depth F (mm)	Delta 50		Delta 60		Weight (Kg)		Wall Stays (Suitable Fitting)						Electric Heating Elements			
							BTU's	Watts	BTU's	Watts	Empty	Filled	HANI03	HANI04	HAN205	HAN206	LD055	LD056	HEF035	Min sections	Min sections	Min sections
TBK040/041	765	160	600	100	180	77	372	109	468	137	8.6	10.4	✓	✓	✓	✓	✓	✓	✓	8 (11‡)	8 (14‡)	9 (18‡)

(Electric Heating Elements) ‡Denotes the minimum number of sections required to achieve maximum heat output for the heating element. For the full range/finishes of electric heating elements, see page 75



Left:  
Ancient Breeze

Hand Burnished  
Height 600mm

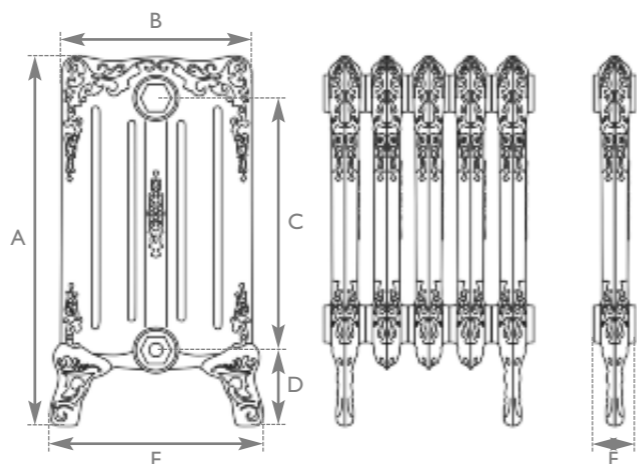
More paint finishes on page 3



Antiqued French Grey  
Height 600mm

Willow Green  
Height 600mm

Highlight Polish  
Height 600mm



Left:  
Hand Burnished



The Turin

Ancient Breeze  
Height 600mm

## The Turin

Don't let the short stature of the Turin cast iron radiator allow you to underestimate the superb heating potential of this 600mm high model. At 498 BTU's per section the 335mm depth radiator is perfect for conservatories and under low windows where the heating requirements are high.

This 5 column radiator is enhanced with a swirling detail decoration and can be complimented using our thermostatic Kingsgrove valve. Choose from our impressive range of metallic finishes to complete the look of your Turin radiator.



Code	Section Height A (mm)	Section Width B (mm)	Section Height C (mm)	Section Height D (mm)	Section Width E (mm)	Section Depth F (mm)	Delta 50		Delta 60		Weight (Kg)		Wall Stays (Suitable Fitting)				Electric Heating Elements					
							BTU's	Watts	BTU's	Watts	Empty	Filled	HANI03	HANI04	HAN205	HAN206	LD055	LD056	HEF035	Min sections	Min sections	Min sections
LD215/216	600	305	400	135	335	77	498	146	632	185	12.3	15.0	✓	✓	✓	✓	✓	✓	X	8 (8‡)	8 (10‡)	9 (14‡)

(Electric Heating Elements) ‡Denotes the minimum number of sections required to achieve maximum heat output for the heating element. For the full range/finishes of electric heating elements, see page 75

Steel radiators can be painted in your choice of colour. More paint finishes on page 3. Steel radiators can not be polished.

# The Enderby (Steel)



**TOW205**  
F&B Incarnadine  
Height 1910mm  
2 Columns, 6 sections

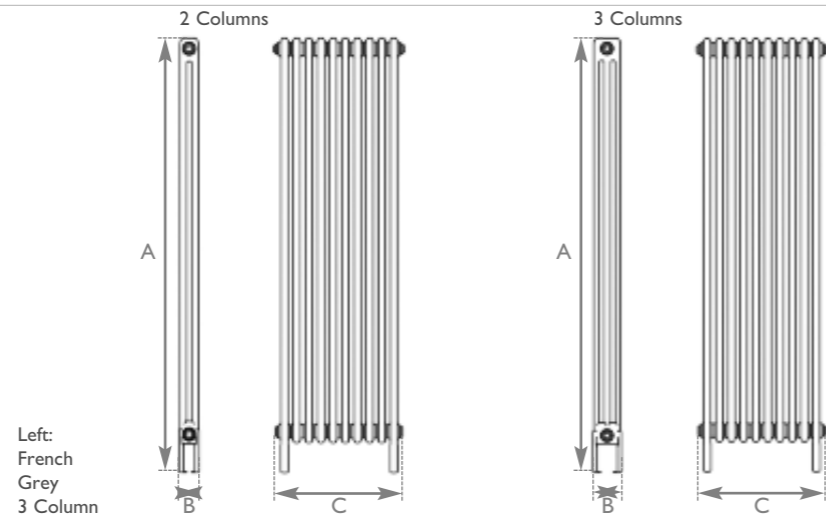
**TOW206**  
F&B Stiffkey Blue  
Height 1910mm  
2 Columns, 8 sections

**TOW207**  
F&B Mizzle  
Height 1910mm  
2 Columns, 10 sections

**TOW213**  
F&B Mole's Breath  
Height 1910mm  
3 Columns, 6 sections

**TOW214**  
F&B All White  
Height 1910mm  
3 Columns, 8 sections

**TOW215**  
F&B Oval Room Blue  
Height 1910mm  
3 Columns, 10 sections



# The Enderby (Steel)



Pewter  
Lustre  
TOW207  
Height  
1910mm

Code	Number of Columns	Number of Sections	Height A (mm)	Depth B (mm)	Width C (mm)	Inlet Size	Delta 50		Delta 60		Weight (Kg)		Wall Stays (Suitable Fitting)						
							BTU's	Watts	BTU's	Watts	Empty	Filled	HAN10	HAN104	HAN205	HAN206	LD055	LD056	HEF035
TOW205	2	6	1910	68	284	15mm / 1/2"	2571	754	3250	953	20.2	29.2	✓	✓	✓	✓	✓	X	X
TOW206	2	8	1910	68	372	15mm / 1/2"	3431	1006	4337	1272	27.0	39.0	✓	✓	✓	✓	✓	X	X
TOW207	2	10	1910	68	460	15mm / 1/2"	4286	1257	5418	1589	33.7	48.7	✓	✓	✓	✓	✓	X	X
TOW213	3	6	1910	100	287	15mm / 1/2"	3219	944	4069	1193	30.1	43.3	✓	✓	✓	✓	✓	X	X
TOW214	3	8	1910	100	376	15mm / 1/2"	4293	1259	5426	1591	40.2	57.7	✓	✓	✓	✓	✓	X	X
TOW215	3	10	1910	100	465	15mm / 1/2"	5367	1574	6784	1990	50.2	72.1	✓	✓	✓	✓	✓	X	X

Steel radiators can be painted in your choice of colour. More paint finishes on page 3. Steel radiators can not be polished.



TOW200 F&B Salon Drab Height 710mm 2 Columns, 10 sections  
 TOW201 F&B Pavilion Blue Height 710mm 2 Columns, 13 sections  
 TOW202 F&B Mole's Breath Height 710mm 2 Columns, 17 sections  
 TOW203 Satin Black Height 710mm 2 Columns, 22 sections  
 TOW204 F&B Dix Blue Height 710mm 2 Columns, 26 sections



F&B Stone Blue TOW220 Height 710mm

The Enderby (Steel)

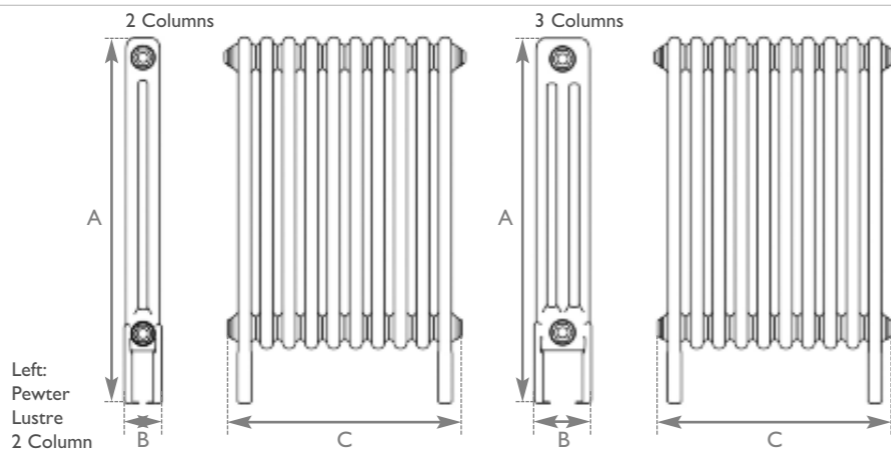


TOW208 F&B Inchyra Blue Height 710mm 3 Columns, 10 sections  
 TOW209 F&B Bone Height Height 710mm 3 Columns, 13 sections  
 TOW210 Parchment White Height 710mm 3 Columns, 17 sections  
 TOW211 F&B Elephant's Breath Height 710mm 3 Columns, 22 sections  
 TOW212 F&B Lamp Room Gray Height 710mm 3 Columns, 26 sections

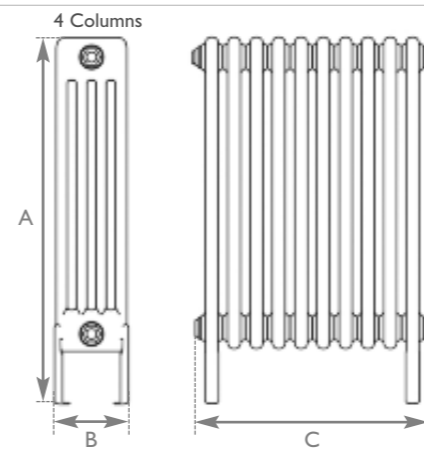


TOW216 F&B Brassica Height 710mm 4 Columns, 10 sections  
 TOW217 F&B French Gray Height 710mm 4 Columns, 13 sections  
 TOW218 F&B Railings Height 710mm 4 Columns, 17 sections  
 TOW219 F&B Pavilion Gray Height 710mm 4 Columns, 22 sections  
 TOW220 F&B Incarnadine Height 710mm 4 Columns, 26 sections

The Enderby (Steel)



Left: Pewter Lustre 2 Column



Right: 4 Column F&B Ringwold Ground

Code	Number of Columns	Number of Sections	Height A (mm)	Depth B (mm)	Width C (mm)	Inlet Size	Delta 50				Delta 60				Wall Stays (Suitable Fitting)							Electric Heating Element 1200W Output
							BTU's	Watts	BTU's	Watts	Empty	Filled	HAN10	HAN104	HAN205	HAN206	LD055	LD056	HEF035			
TOW200	2	10	710	68	460	15mm / 1/2"	1582	464	2000	586	12.7	18.3	✓	✓	✓	✓	✓	X	X	X	✓	
TOW201	2	13	710	68	592	15mm / 1/2"	2056	603	2599	762	16.5	23.8	✓	✓	✓	✓	✓	X	X	X	✓	
TOW202	2	17	710	68	768	15mm / 1/2"	2687	788	3396	996	21.6	31.2	✓	✓	✓	✓	✓	X	X	X	✓	
TOW203	2	22	710	68	988	15mm / 1/2"	3478	1020	4396	1289	27.9	40.3	✓	✓	✓	✓	✓	X	X	X	✓	
TOW204	2	26	710	68	1164	15mm / 1/2"	4109	1205	5194	1523	33.0	47.7	✓	✓	✓	✓	✓	X	X	X	✓	
TOW208	3	10	710	100	465	15mm / 1/2"	1947	571	2461	722	16.3	24.4	✓	✓	✓	✓	✓	X	X	X	✓	
TOW209	3	13	710	100	599	15mm / 1/2"	2534	743	3203	939	21.2	31.8	✓	✓	✓	✓	✓	X	X	X	✓	
TOW210	3	17	710	100	777	15mm / 1/2"	3311	971	4185	1227	27.7	41.5	✓	✓	✓	✓	✓	X	X	X	✓	
TOW211	3	22	710	100	999	15mm / 1/2"	4286	1257	5418	1589	35.9	53.7	✓	✓	✓	✓	✓	X	X	X	✓	
TOW212	3	26	710	100	1177	15mm / 1/2"	5064	1485	6401	1877	42.4	63.5	✓	✓	✓	✓	✓	X	X	X	✓	

Code	Number of Columns	Number of Sections	Height A (mm)	Depth B (mm)	Width C (mm)	Inlet Size	Delta 50				Delta 60				Wall Stays (Suitable Fitting)							Electric Heating Element 1200W Output
							BTU's	Watts	BTU's	Watts	Empty	Filled	HAN10	HAN104	HAN205	HAN206	LD055	LD056	HEF035			
TOW216	4	10	710	140	460	15mm / 1/2"	2472	725	3125	916	23.5	35.0	✓	✓	✓	✓	✓	X	X	X	✓	
TOW217	4	13	710	140	592	15mm / 1/2"	3214	943	4062	1192	30.6	45.5	✓	✓	✓	✓	✓	X	X	X	✓	
TOW218	4	17	710	140	768	15mm / 1/2"	4203	1233	5313	1559	40.0	59.5	✓	✓	✓	✓	✓	X	X	X	✓	
TOW219	4	22	710	140	988	15mm / 1/2"	5439	1595	6875	2016	51.8	77.0	✓	✓	✓	✓	✓	X	X	X	✓	
TOW220	4	26	710	140	1164	15mm / 1/2"	6428	1885	8125	2383	61.2	91.0	✓	✓	✓	✓	✓	X	X	X	✓	

The inserted cast iron radiators can be painted in your choice of colour.  
More paint finishes on page 3



TOW101 Welbourne  
Chrome Finish Towel Radiator  
With 8 White Steel Radiator Sections



TOW107 Broughton  
Chrome Finish Towel Radiator  
With 6 Victorian Cast Iron Radiator Sections  
(Shown in F&B Lamp Room Gray)



TOW108 Broughton  
Copper Finish Towel Radiator  
With 6 Victorian Cast Iron Radiator Sections  
(Shown in Buttermilk)



TOW109 Wilsford  
Chrome Finish Towel Radiator  
With 5 Rococo Cast Iron Radiator Sections  
(Shown In Foundry Grey)



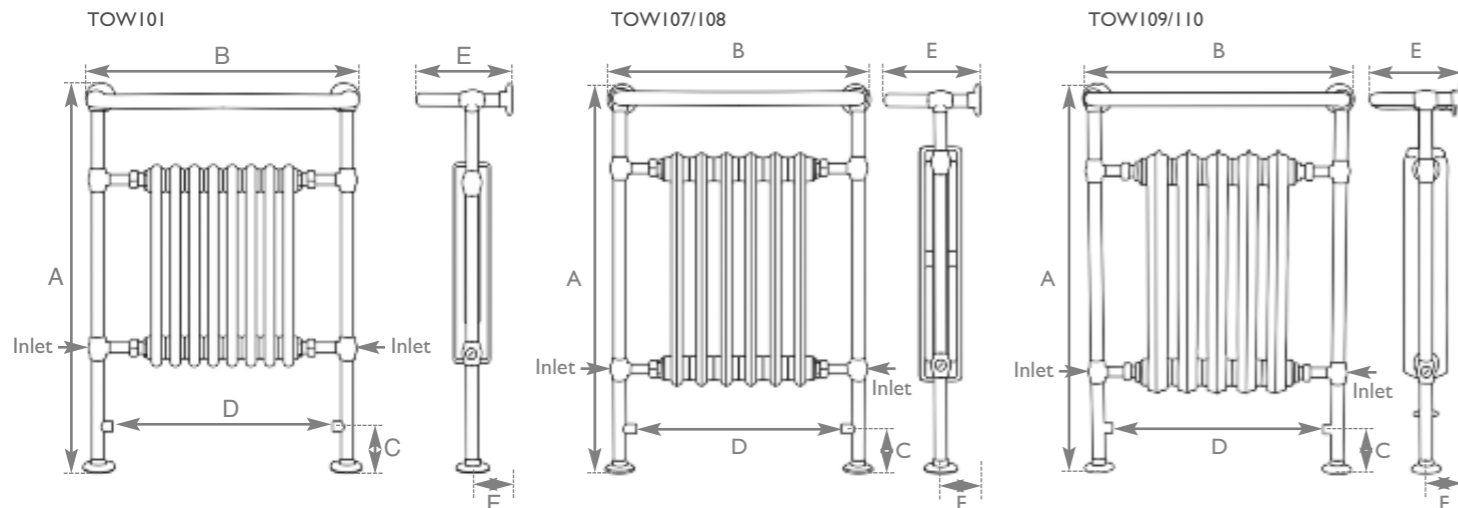
TOW110 Wilsford  
Copper Finish Towel Radiator  
With 5 Rococo Cast Iron Radiator Sections  
(Shown In Hammered Bronze)

## Towel Radiators

Influenced by original Victorian designs, these towel rails are available in a high quality chrome or copper finish.

They come with an integral radiator in cast iron or steel options, offering an attractive and efficient bathroom solution.

These copper plated towel rails are supplied un-lacquered. You can leave the surface to naturally tarnish over a period of use/time, or maintain the finish using a metal polish. We would recommend Autosol metal polish as being a suitable product to achieve this.



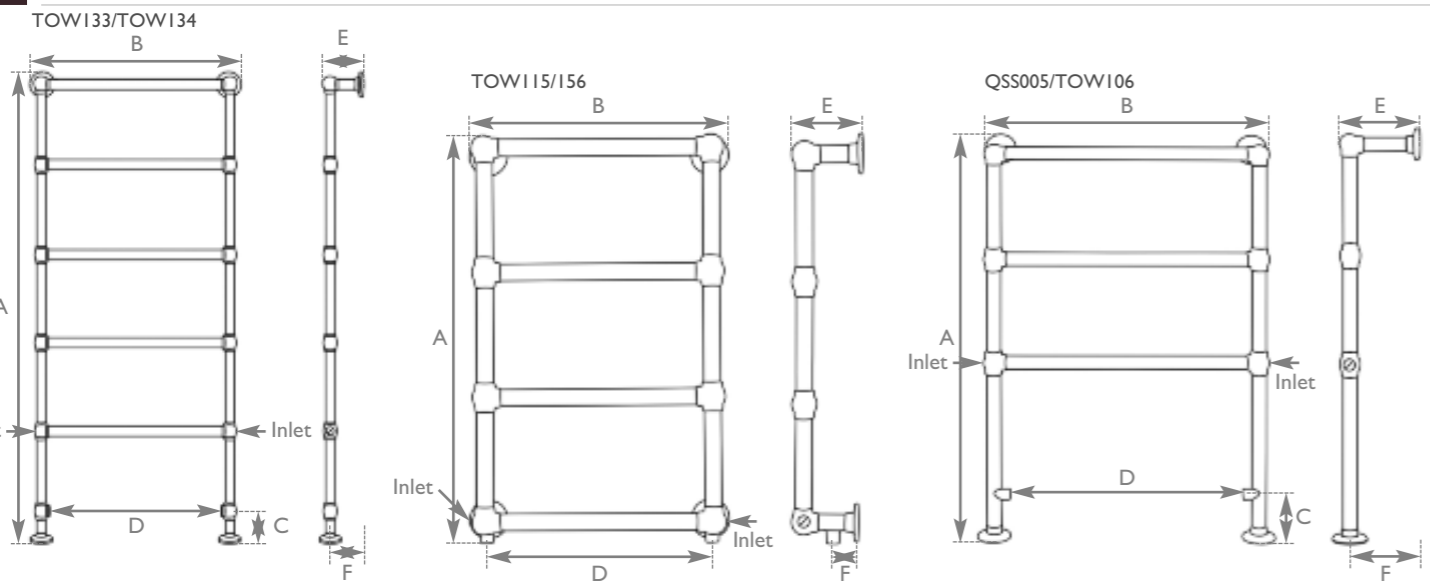
Code/Finish	Description	Height A (mm)	Width B (mm)	Inlet Pipe Centre Height C (mm)	Inlet Pipe Width D (mm)	Depth From Wall E (mm)	Inlet Pipe Centre Of Wall Width F (mm)	Dual Fuel Compatible	Inlet Size	Delta 50 BTU's	Delta 50 Watts	Delta 60 BTU's	Delta 60 Watts
Copper	Chrome												
N/A	TOW101	960	670	105	530	235	90	✓	15mm / 1/2"	2944	862	3730	1093
TOW108	TOW107/F	965	675	105	528	250	100	✓	15mm / 1/2"	1900	557	2407	705
TOW110	TOW109/F	965	675	105	528	250	100	✓	15mm / 1/2"	1776	520	2250	659

TOW107F & TOW109F have Hand Burnished integral cast iron radiator sections



Towel Radiators

TOW107F  
Broughton  
Hand  
Burnished  
Radiator  
Insert



Code/Finish	Description	Height A (mm)	Width B (mm)	Inlet Pipe Centre Height C (mm)	Inlet Pipe Width D (mm)	Depth From Wall E (mm)	Inlet Pipe Centre Of Wall Width F (mm)	Dual Fuel Compatible	Inlet Size	Delta 50 BTU's	Delta 50 Watts	Delta 60 BTU's	Delta 60 Watts
Copper	Chrome												
TOW134	TOW133 5 Bar Floor Mounted Towel Rail	1550	600	100	454	130	105	✓	15mm / 1/2"	907	266	1142	335
TOW106	QSS005 3 Bar Floor Mounted Towel Rail	965	670	105	525	115	105	✓	15mm / 1/2"	412	120	527	154
TOW156	TOW115 4 Bar Wall Mounted Towel Rail	770	500	N/A	425	130	50	✓	15mm / 1/2"	407	119	521	153



TOW106 Copper Finish





## The Colossus

An ample framed towel rail, its design is a classic style but with striking knuckles and it boasts 40mm wide tubing that gives it a grand and impressive feel.

The bigger dimensions result in an increased heat output and it is dual fuel compatible.

Left:  
Chrome Finish



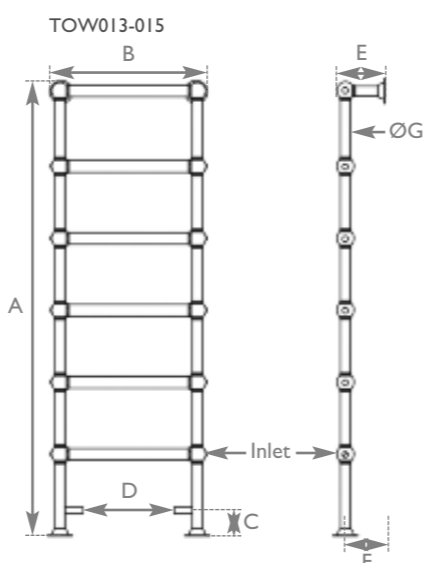
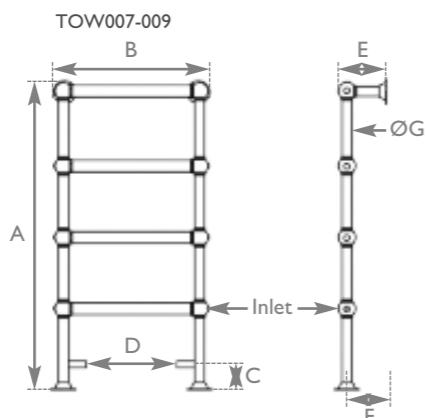
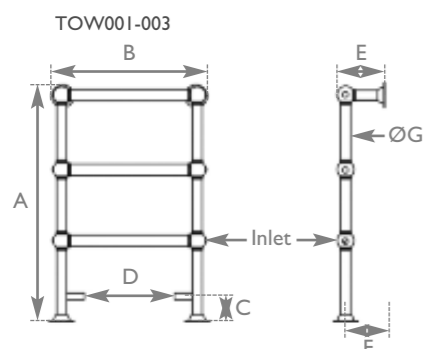
TOW015  
Colossus  
Nickel Finish Towel Rail



TOW001  
Colossus  
Copper Finish Towel Rail



TOW008  
Colossus  
Chrome Finish Towel Rail



Code/Finish	Description			Height A (mm)	Width B (mm)	Inlet Pipe Centre Height C (mm)	Inlet Pipe Width D (mm)	Depth From Wall E (mm)	Inlet Pipe Centre Of Wall Width F (mm)	Diameter G (mm)	Dual Fuel Compatible	Inlet Size	Delta 50		Delta 60	
Copper	Chrome	Nickel											BTU's	Watts	BTU's	Watts
TOW001	TOW002	TOW003	3 Bar Floor Mounted Towel Rail	1000	650	105	380	200	150	40	✓	15mm / 1/2"	558	163	714	209
TOW007	TOW008	TOW009	4 Bar Floor Mounted Towel Rail	1300	650	105	380	200	150	40	✓	15mm / 1/2"	717	209	918	268
TOW013	TOW014	TOW015	6 Bar Floor Mounted Towel Rail	1800	650	105	380	200	150	40	✓	15mm / 1/2"	985	288	1261	369



## The Colossus

TOW009  
Colossus 4 Bar  
Nickel Finish  
Towel Rail



Left:  
Chrome Finish



TOW032 Colossus  
Chrome Finish Towel Rail

TOW027 Colossus  
Nickel Finish Towel Rail



The Colossus



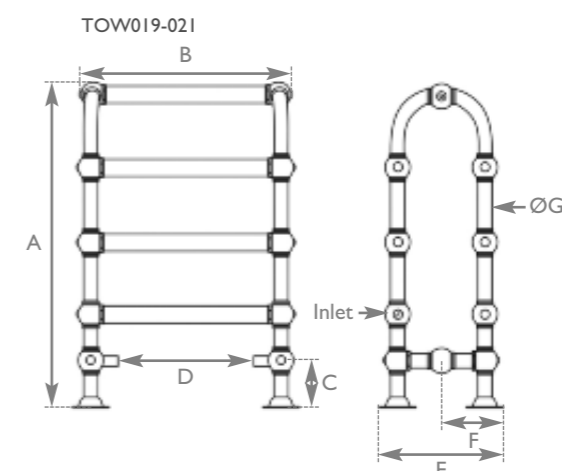
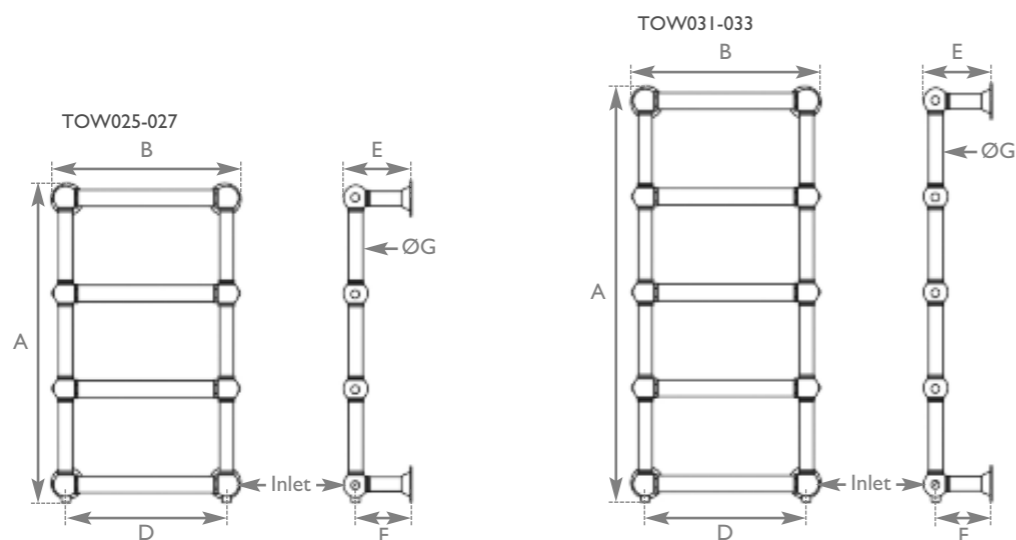
Left:  
Chrome Finish



TOW019 Colossus  
Copper Finish Towel Rail

The Colossus

Above:  
TOW020  
Colossus Horse  
Chrome Finish  
Towel Rail



Code/Finish			Description	Height A (mm)	Width B (mm)	Inlet Pipe Centre Height C (mm)	Inlet Pipe Width D (mm)	Depth From Wall E (mm)	Inlet Pipe Centre Of Wall Width F (mm)	Diameter G (mm)	Dual Fuel Compatible	Inlet Size	Delta 50		Delta 60	
Copper	Chrome	Nickel											BTU's	Watts	BTU's	Watts
TOW025	TOW026	TOW027	4 Bar Wall Mounted Towel Rail	1000	600	N/A	500	186	150	40	✓	15mm / 1/2"	673	198	862	253
TOW031	TOW032	TOW033	5 Bar Wall Mounted Towel Rail	1300	600	N/A	500	186	150	40	✓	15mm / 1/2"	824	241	1055	309

Code/Finish			Description	Height A (mm)	Width B (mm)	Inlet Pipe Centre Height C (mm)	Inlet Pipe Width D (mm)	Depth From Wall E (mm)	Inlet Pipe Centre Of Wall Width F (mm)	Diameter G (mm)	Dual Fuel Compatible	Inlet Size	Delta 50		Delta 60	
Copper	Chrome	Nickel											BTU's	Watts	BTU's	Watts
TOW019	TOW020	TOW021	7 Bar Horse Towel Rail	936	624	130	370	350	180	40	✓	15mm / 1/2"	1264	370	1618	474



Left:  
HAN017



HAN017  
Daisy Wheel Manual Valve  
Antiqued Brass Finish, 15mm Inlet,  
3/4" Radiator Bush Required

HAN014  
Daisy Wheel Manual Valve  
Brass Finish, 15mm Inlet,  
3/4" Radiator Bush Required



HAN016  
Daisy Wheel Manual Valve  
Satin Nickel Finish, 15mm Inlet,  
3/4" Radiator Bush Required

HAN015  
Daisy Wheel Manual Valve  
Chrome Finish, 15mm Inlet,  
3/4" Radiator Bush Required

Right:  
HAN016



# Valves & Accessories

Period valves to compliment our range are also available with the added advantage of a thermostatic feature of the 'Crocus and Kingsgrove' styles.



HAN002  
Kingsgrove Thermostatic Valve  
Brass Finish, 15mm Inlet,  
1/2" Radiator Bush Required

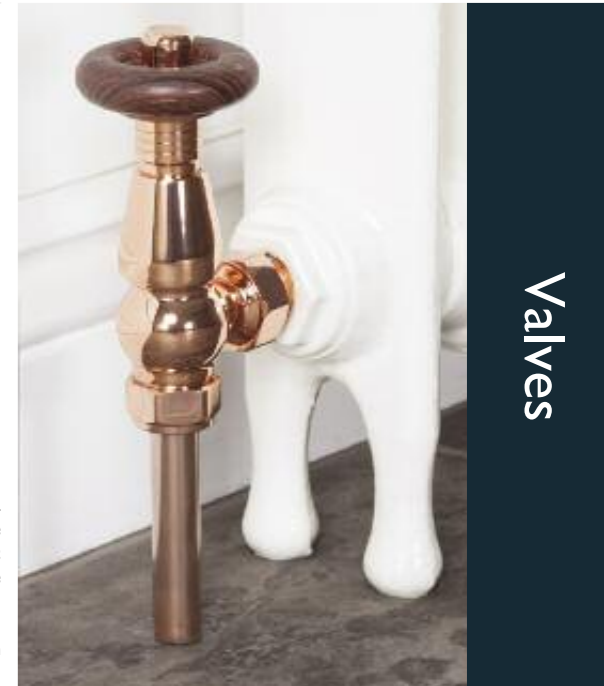
HAN001  
Kingsgrove Thermostatic Valve  
Chrome Finish, 15mm Inlet,  
1/2" Radiator Bush Required



HAN021  
Kingsgrove Thermostatic Valve  
Satin Nickel Finish, 15mm Inlet,  
1/2" Radiator Bush Required

HAN020  
Kingsgrove Thermostatic Valve  
Antiqued Brass Finish, 15mm Inlet,  
1/2" Radiator Bush Required

Right: HAN022  
Kingsgrove  
Thermostatic  
Valve  
Copper Finish,  
15mm Inlet,  
1/2" Radiator Bush  
Required



Valves



Left:  
LD098



LD098  
Carron Throttle Manual Valve  
Antiqued Brass Finish, 15mm Inlet,  
1/2" Radiator Bush Required

LD201  
Carron Throttle Manual Valve  
Chrome Finish, 15mm Inlet,  
1/2" Radiator Bush Required



LD117  
Telford Manual Valve  
Satin Nickel Finish, 15mm Inlet,  
1/2" Radiator Bush Required

LD116  
Telford Manual Valve  
Chrome Finish, 15mm Inlet,  
1/2" Radiator Bush Required

Right: LD095  
Telford Manual Valve  
Brass Finish,  
15mm Inlet,  
1/2" Radiator  
Bush Required





Right: QSS016  
Towel Rail  
Manual Valve  
Chrome Finish,  
15mm Inlet,  
1/2" Radiator  
Bush Required



HAN013  
Towel Rail Manual Valve  
Copper Finish, 15mm Inlet,  
1/2" Radiator Bush Required

HAN011  
Towel Rail Manual Valve  
Nickel Finish, 15mm Inlet,  
1/2" Radiator Bush Required



LD090  
Brumpton Manual Valve  
Brass Finish, 15mm Inlet,  
1/2" Radiator Bush Required



LD091  
Brumpton Manual Valve  
Chrome Finish, 15mm Inlet,  
1/2" Radiator Bush Required



Right:  
LD090



Left:  
HAN010



QSS044  
Crocus Wheel Manual Valve  
Chrome Finish, 15mm Inlet,  
1/2" Radiator Bush Required



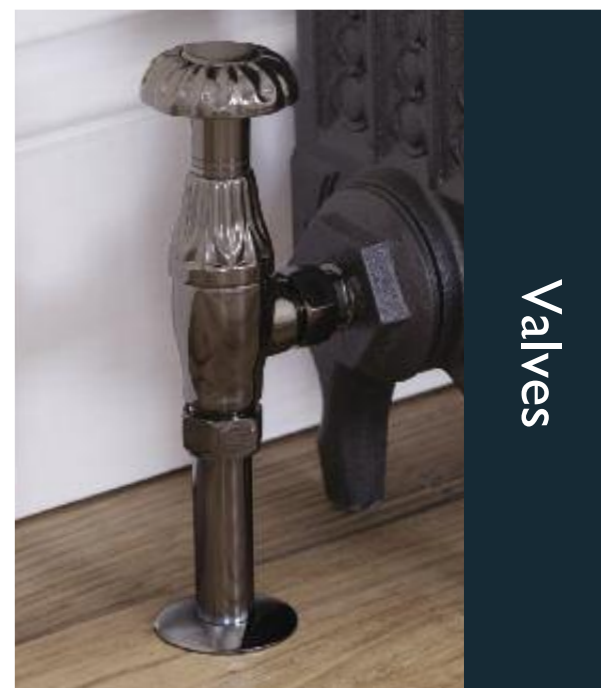
HAN010  
Crocus Wheel Manual Valve  
Satin Nickel Finish, 15mm Inlet,  
1/2" Radiator Bush Required



QSS046  
Crocus Wheel Manual Valve  
Black Nickel Finish, 15mm Inlet,  
1/2" Radiator Bush Required



HAN007  
Crocus Wheel Manual Valve  
Antiqued Brass Finish, 15mm Inlet,  
1/2" Radiator Bush Required



Right:  
QSS046



Left:  
HAN004



HAN004  
Crocus Wheel Thermostatic Valve  
Antiqued Brass Finish, 15mm Inlet,  
1/2" Radiator Bush Required



HAN003  
Crocus Wheel Thermostatic Valve  
Black Nickel Finish, 15mm Inlet,  
1/2" Radiator Bush Required



QSS018  
Crocus Wheel Thermostatic Valve  
Chrome Finish, 15mm Inlet,  
1/2" Radiator Bush Required



HAN005  
Crocus Wheel Thermostatic Valve  
Satin Nickel Finish, 15mm Inlet,  
1/2" Radiator Bush Required



Right:  
QSS018



LD084  
Bleed Nipple  
Brass Finish



LD110  
Bleed Nipple  
Satin Nickel Finish



LD111  
Bleed Nipple  
Chrome Finish



HAN103  
Wall Stay  
Stainless Steel 200mm



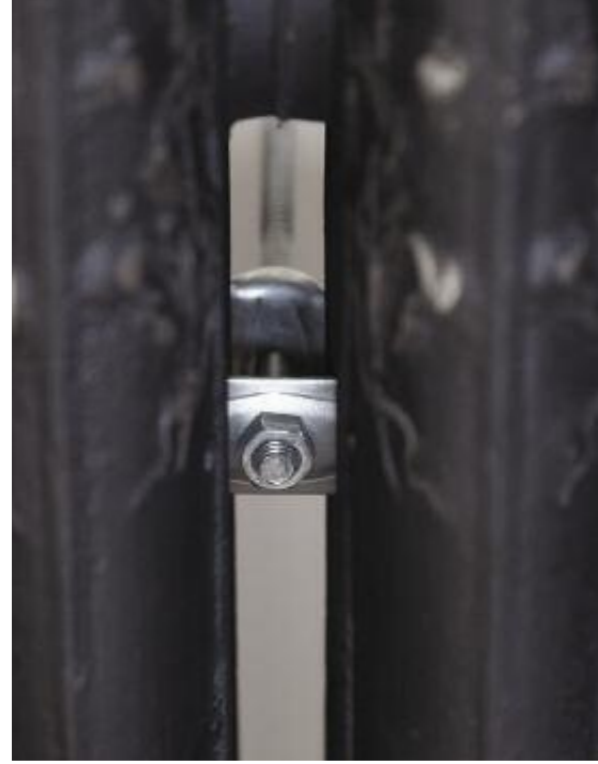
HAN205  
Wall Stay  
Stainless Steel 300mm



HAN104  
Wall Stay  
Solid Brass 200mm



HAN206  
Wall Stay  
Solid Brass 300mm



Right:  
LD056

Pipe Sleeve & Floor Plate Kits (Sold as Pairs)



HAN019  
Pipe Sleeve Kit  
130mm Pipe (Height)  
To Fit 15mm Pipe  
Brass Finish



LD101  
Pipe Sleeve Kit  
130mm Pipe (Height)  
To Fit 15mm Pipe  
Chrome Finish



LD056  
Hexagon Shaft  
Wall Stay  
Galvanised 150mm



LD055  
Square Plate  
Wall Stay  
Galvanised 160mm



HEF035  
Radiator  
Wall Mounting  
Bracket

Right:  
HEF035



Accessories



Left: LD107  
Pipe Sleeve Kit  
130mm Pipe (Height)  
To Fit 15mm Pipe  
Satin Nickel Finish



HAN018  
Pipe Sleeve Kit  
130mm Pipe (Height)  
To Fit 15mm Pipe  
Black Nickel Finish

LD099  
Pipe Sleeve Kit  
130mm Pipe (Height)  
To Fit 15mm Pipe  
Antiqued Brass Finish



LD055



HAN103



HAN205



HAN104

Right:  
HAN206





Cast Iron Radiator Cover				Granite Top To Fit			
Code	Width (mm)	Depth (mm)	Height (mm)	Code	Width (mm)	Depth (mm)	Height (mm)
RX153	1790	320	850	HEF249	1830	345	30



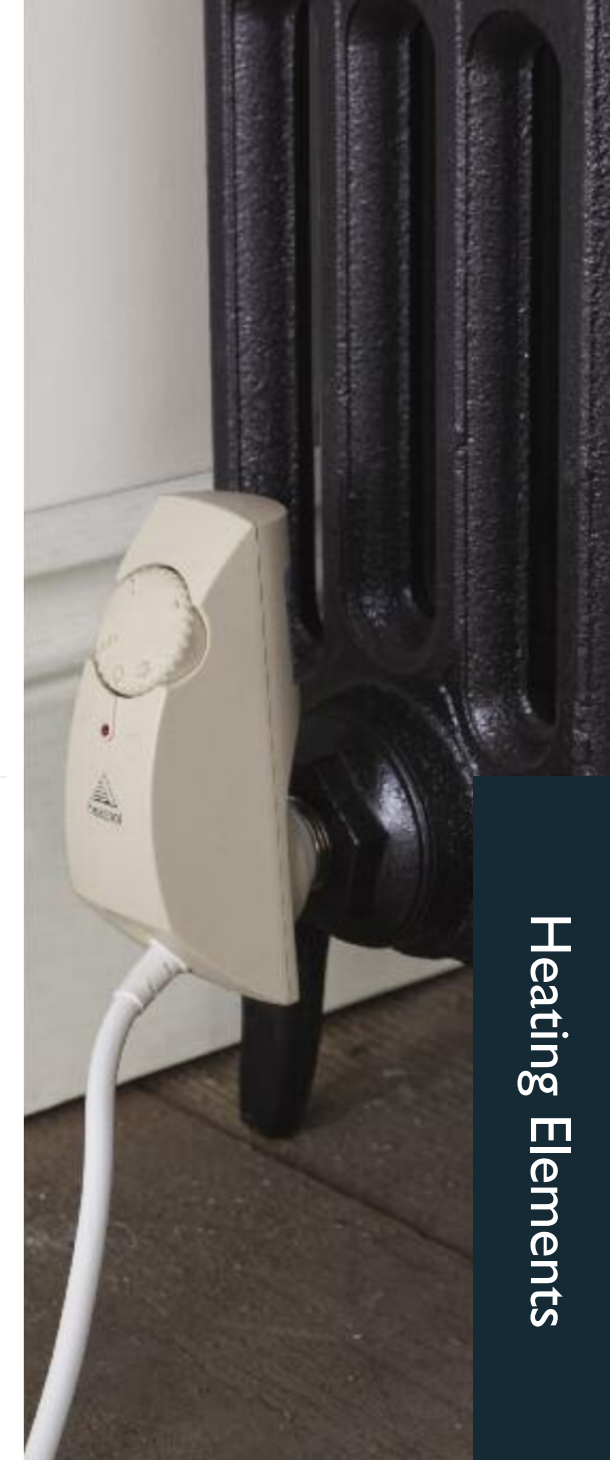
Cast Iron Radiator Cover				Granite Top To Fit			
Code	Width (mm)	Depth (mm)	Height (mm)	Code	Width (mm)	Depth (mm)	Height (mm)
RX152	1580	320	900	HEF248	1650	355	30



Anthracite With Black Flex Finish



Satin With Grey Flex Finish



Gold With Gold Flex Finish

Above: RX198 & HEF253



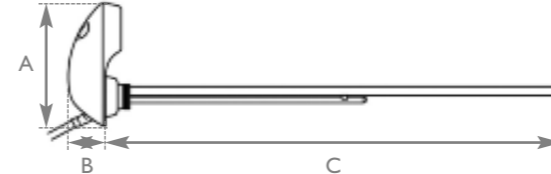
RX197



RX198

Above: Quartz With White Flex Finish

ELE001/004/007/010 (1200W Output Electric Heating Element)



ELE002/005/008/011 (1500W Output Electric Heating Element)



ELE003/006/009/012 (2000W Output Electric Heating Element)



Code (1200W Output)	Height A (mm)	Width B (mm)	Width C (mm)	Bush Required (Inch)	Finish	Flex Finish
ELE001	125	40	470	1/2	Anthracite	Black
ELE004	125	40	470	1/2	Satin	Grey
ELE007	125	40	470	1/2	Quartz	White
ELE010	125	40	470	1/2	Gold	Gold

Code (1500W Output)	Height A (mm)	Width B (mm)	Width C (mm)	Bush Required (Inch)	Finish	Flex Finish
ELE002	125	40	520	3/4	Anthracite	Black
ELE005	125	40	520	3/4	Satin	Grey
ELE008	125	40	520	3/4	Quartz	White
ELE011	125	40	520	3/4	Gold	Gold

Code (2000W Output)	Height A (mm)	Width B (mm)	Width C (mm)	Bush Required (Inch)	Finish	Flex Finish
ELE003	125	40	570	3/4	Anthracite	Black
ELE006	125	40	570	3/4	Satin	Grey
ELE009	125	40	570	3/4	Quartz	White
ELE012	125	40	570	3/4	Gold	Gold

Cast Iron Radiator Cover				Granite Top To Fit			
Code	Width (mm)	Depth (mm)	Height (mm)	Code	Width (mm)	Depth (mm)	Height (mm)
RX197	900	330	900	HEF252	940	355	30
RX198	1010	320	850	HEF253	1030	345	30