

Home Of The **Cast Iron Radiator**



Issue 1 2022



www.carronheating.co.uk
T: 01400 263 319 | E: sales@carronheating.co.uk

Quality Backed With A Lifetime Guarantee

A great deal of skill and work goes into producing our range of cast iron radiators, and we are enormously proud to declare that Carron have been awarded the ISO 9001:2015 accreditation for quality management. Our radiators also meet the rigorous standards set out in BS EN 442-2 and carry the CE mark.

Our radiators are assembled and finished by hand in Carron's Lincolnshire workshop and are subject to regular inspections, carried out at each stage throughout the process. Each section is sand cast using CNC moulds and 3D modelling techniques together with efficient cast production line. The result is a crisp, detailed decoration, which achieves a superior aesthetic quality.

Upon receipt of an order, sections are transferred to our specially built paint shop or to the polishing workshop to receive the first layer of paint or first round of polishing depending on the client's preference. Once dry, they are put through a rigorous, high pressure testing process. We ensure every section is tested well beyond that of normal water pressure found in UK domiciles.

When each radiator has passed the testing phase, they can then be transferred back to the spray team to complete Carron's unique dual painted method: this is where a final round of painting or hand polishing is carried out to produce a high quality finish.

Now completed they are given a final inspection and a Quality Control stamp of approval when they can be prepared for dispatch.

Constant Warm Ambient Temperature

Carron traditional radiators are perfectly positioned between the heritage and charm of historic design and the pragmatic efficiency required of 21st century heating.

There is common misconception that cast iron radiators are inefficient and expensive to run compared to modern day counterparts, a point we'd argue. The cast iron sections retain heat for longer and gradually releases the warmth creating a constant warm ambient temperature. Thus, Carron radiators more than match the performance of present heating solutions.

These heating characteristics make them ideally suited to work alongside alternative fuel sources, such as ground source heat pumps and solar powered heating supplies. Cast iron is a robust material and its incredible longevity makes it an economical investment, sure to last several generations.

The added visual appeal and styling mean Carron radiators are at home in period homes and restoration projects but are by no means out of place in contemporary dwellings, industrial and cutting edge developments and decor. Our radiators come with a lifetime guarantee, such is the trust we have in the quality of work we produce.



Certified by Afnor UK

Our Hand Burnished/Satin Polished finish is achieved by using abrasives to polish the surface of the Cast Iron. We then apply light oil to the radiator prior to despatch. This will require maintaining by reapplying the oil as required. Any contact with moisture should be avoided and therefore we do not recommend using this finish in bathrooms etc. An option to lacquer coat these finishes is available which negates the need for this maintenance.

Due to the limitation of the printing process/photography, please note that colours may vary from the actual painted finish. We recommend you request a free colour swatch prior to purchase. (Not available for Highlight Polish, Hand Burnished & Satin Polished Finishes.)

As each radiator is hand built and seal compression/machined faces vary slightly, measurements given are for guidance only and should not be used for the location of pipe work.

We reserve the right to amend designs without prior notification.

Bespoke Finishes

Here at Carron we pride ourselves on the level of bespoke detailing and options we are able to provide. With our on-site paint and spray shop we can finish any radiator from a choice of over 10,000 colours and offer an expert colour matching service to attain even greater levels of customisation.

We can also finish the radiators in a selection of product specific paints which come in a range of finishes, such as semi-gloss, full gloss and satin.

Selection of Painted Finishes



A wider range of branded paint colours are available, using the F&B Estate Eggshell finish or Little Greene Intelligent Eggshell

Selection of Metallic Finishes



A wider range of Roberson liquid metal metallic finishes are available, see www.robersonliquidmetal.co.uk

Selection of Polished Finishes



Optional lacquer coating available

Selection of Patina Finishes



Selection of Hand Gilded Finishes





Graphite Grey, Height 615mm



Satin Polished
Height 615mm

More paint finishes on page 3

The Narrow Victorian 2 Column

This ever popular traditional design has stood the test of time and has been manufactured for over a century.

The narrow profile of the 2 column radiator (also available in 3 column) make them ideally suited to areas within the home where space is limited like a hallway or landing. Only **70mm deep**.

Available in over 10,000 painted colours including Farrow & Ball, Little Greene and Roberson Liquid Metals. Specialist finishes are also available in Pewter Lustre, Hand Burnished, Satin Polished, Highlight and Antique.



Little Greene
— PAINT & PAPER —

Roberson
Liquid Metals



Satin Black
Height 615mm
2 Columns



Buttermilk
Height 615mm
2 Columns



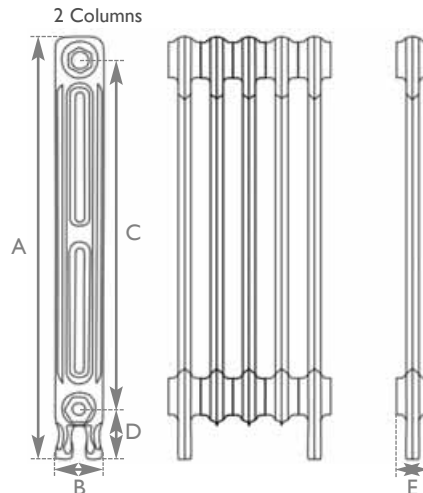
Foundry Grey
Height 615mm
2 Columns



Antiqued French Grey
Height 615mm
2 Columns



Vintage Copper



Code	Section Height A (mm)	Section Width B (mm)	Section Height C (mm)	Section Height D (mm)	Section Width E (mm)	Delta 50		Delta 60		Weight (Kg)		Wall Stays (Suitable Fitting)					Electric Heating Elements			
						BTU's	Watts	BTU's	Watts	Empty	Filled	HAN103	HAN104	HAN205	HAN206	LD055	LD056	RTO035	1200W Output	1500W Output
																		Min sections	Min sections	Min sections
LD183/184	615	70	500	80	53	153	45	194	57	2.5	2.8	✓	✓	✓	✓	✓	✗	10 (27‡)	11 (33‡)	12 (44‡)

(Electric Heating Elements) ‡Denotes the minimum number of sections required to achieve maximum heat output for the heating element. For the full range/finishes of electric heating elements, see page 75



Satin Polished
Height 735mm



Roberson Graphite, Height 735mm

More paint finishes on page 3

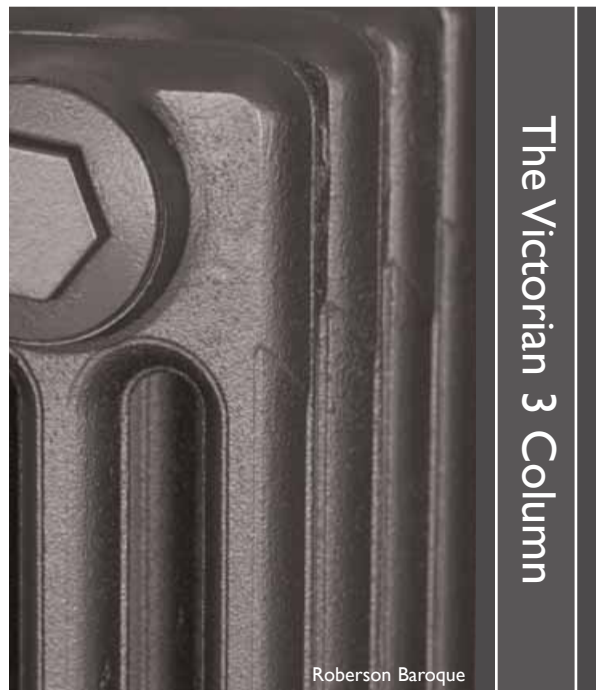


Ancient Breeze
Height 735mm
3 Columns

Hammered Gold
Height 735mm
3 Columns

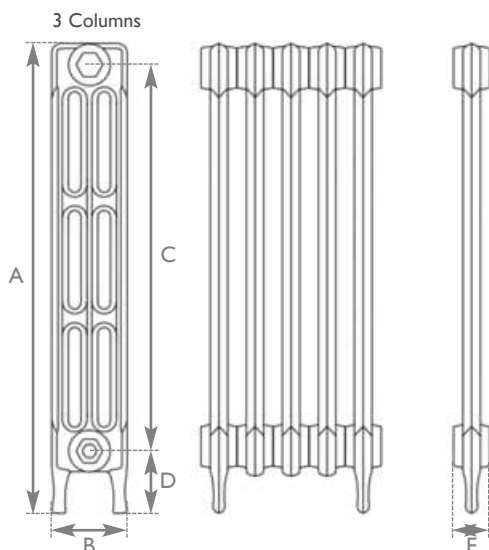
F&B Mouse's Back
Height 735mm
3 Columns

Roberson Bronze
Height 735mm
3 Columns



Roberson Baroque

The Victorian 3 Column



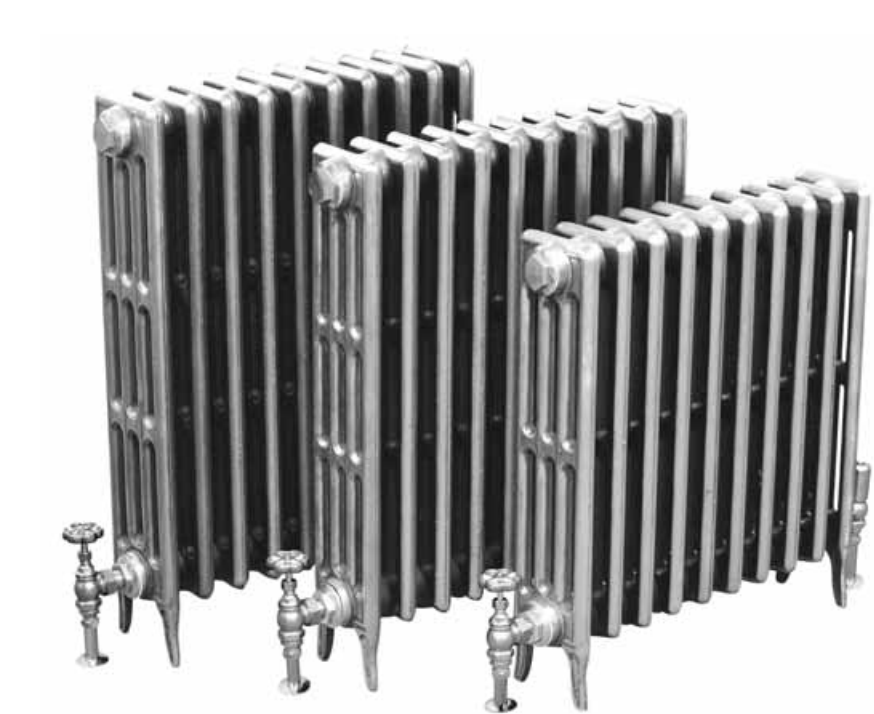
Satin Polished

Code	Section Height A (mm)	Section Width B (mm)	Section Height C (mm)	Section Height D (mm)	Section Width E (mm)	Delta 50		Delta 60		Weight (Kg)		Wall Stays (Suitable Fitting)					Electric Heating Elements				
						BTU's	Watts	BTU's	Watts	Empty	Filled	HANI03	HANI04	HAN205	HAN206	LD055	LD056	RTO035	1200W Output	1500W Output	2000W Output
						Min sections	Min sections	Min sections													
TCR022/023	735	120	600	102	61	283	83	359	105	5.25	6.09	✓	✓	✓	✓	✓	✓	9 (14‡)	10 (18‡)	11 (24‡)	

(Electric Heating Elements) ‡Denotes the minimum number of sections required to achieve maximum heat output for the heating element. For the full range/finishes of electric heating elements, see page 75



Satin Polished Height 325mm



Hand Burnished
Height 810mm

Hand Burnished
Height 760mm

Hand Burnished
Height 660mm

More paint finishes on page 3

The Victorian 4 Column

The Victorian 4 Column is the most popular cast iron radiator in the Carron range. It is available in **5 heights** including 325mm, 460mm, 660mm, 760mm and 810mm. This gives great flexibility when specifying your cast iron radiators to meet your heating requirements. These old school style radiators add a fantastic period feel to your property and offer superb value for money.

The Victorian 4 Column is custom built in sections and can be floor standing or wall mounted. Use our BTU calculator to work out how many sections are needed to heat your space effectively.

Available in **over 10,000 painted colours** and bespoke finishes.



F&B French Gray
Height 810mm
4 Columns



Roberson
Baroque
Height 760mm
4 Columns



F&B
Great White
Height 660mm
4 Columns



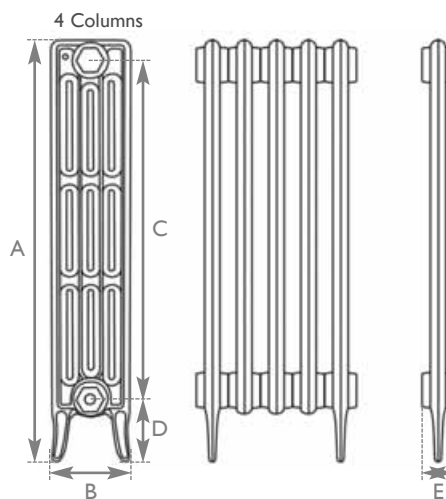
Foundry Grey
Height 460mm
4 Columns



F&B Matchstick
Height 325mm
4 Columns



Antiqued French Grey



Code	Section Height A (mm)	Section Width B (mm)	Section Height C (mm)	Section Height D (mm)	Section Width E (mm)	Delta 50		Delta 60		Weight (Kg)		Wall Stays (Suitable Fitting)				Electric Heating Elements				
						BTU's	Watts	BTU's	Watts	Empty	Filled	HANI03	HANI04	HAN205	HAN206	LD055	LD056	RTO035	1200W Output	1500W Output
TBK126/127	325	145	205	80	50	139	41	175	51	3.2	3.7	✓	✓	✓	✓	✓	✓	11 (29±)	12 (37±)	13 (49±)
MAR060/061	460	140	300	105	61	185	54	232	68	3.8	4.4	✓	✓	✓	✓	✓	✓	9 (22±)	10 (28±)	11 (37±)
LD015/016	660	140	500	115	61	261	77	330	97	5.6	6.5	✓	✓	✓	✓	✓	✓	9 (16±)	10 (19±)	11 (26±)
MAR011/012	760	140	600	115	61	306	90	386	113	6.5	7.5	✓	✓	✓	✓	✓	✓	9 (13±)	10 (17±)	11 (22±)
LD013/014	810	160	640	120	61	355	104	451	132	8.0	9.2	✓	✓	✓	✓	✓	✓	9 (12±)	10 (14±)	11 (19±)



The Victorian 4 Column



Antiqued French Grey Height 625mm



Hand Burnished
Height 740mm

The Victorian 6 Column

A traditional Victorian radiator which was first produced in America in the 1880s.

The traditional 6 Column Victorian radiator is available in **4 heights** including 365mm, 625mm, 740mm and 920mm. The variation in height makes the Victorian 6 Column ideal for restricted spaces sited under windowsills or large open spaces with its high heat output.

Select from **over 10,000 painted colours** including Farrow & Ball, Little Greene and Roberson Liquid Metals. Specialist finishes are also available in Pewter Lustre, Hand Burnished, Satin Polished, Highlight and Antique.

More paint finishes on page 3



Ancient Breeze
Height 920mm
6 Columns



Satin Black
Height 740mm
6 Columns



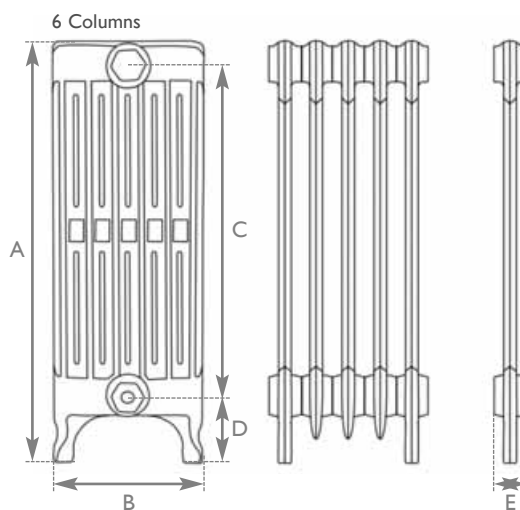
Roberson Silver Blush
Height 625mm
6 Columns



F&B Skylight
Height 365mm
6 Columns



Hand Burnished



Code	Section Height A (mm)	Section Width B (mm)	Section Height C (mm)	Section Height D (mm)	Section Width E (mm)	Delta 50		Delta 60		Weight (Kg)		Wall Stays (Suitable Fitting)						Electric Heating Elements			
						BTU's	Watts	BTU's	Watts	Empty	Filled	HAN103	HAN104	HAN205	HAN206	LD055	LD056	RTO035	1200W Output	1500W Output	2000W Output
						Min sections	Min sections	Min sections													
LD213/214	365	220	220	110	60	217	64	257	75	4.3	5.0	✓	✓	✓	✓	✓	✓	X	9 (19‡)	10 (23‡)	11 (31‡)
TBK112/113	625	220	480	105	52	360	105	460	135	10.1	11.2	✓	✓	✓	✓	✓	✓	X	11 (11‡)	11 (14‡)	12 (19‡)
LD208/209	740	220	600	105	60	440	129	561	165	9.3	10.5	✓	✓	✓	✓	✓	✓	X	9 (9‡)	10 (12‡)	11 (16‡)
LD078/079	920	215	790	95	58	559	164	644	189	11.0	12.4	✓	✓	✓	✓	✓	✓	X	10 (7‡)	10 (9‡)	11 (12‡)

(Electric Heating Elements) ‡Denotes the minimum number of sections required to achieve maximum heat output for the heating element. For the full range/finishes of electric heating elements, see page 75



F&B Off-Black
Height 330mm



Graphite Grey, Height 330mm

More paint finishes on page 3



Satin Black
Height 330mm
9 Columns



Graphite Grey
Height 330mm
9 Columns



Buttermilk
Height 330mm
9 Columns



French Grey
Height 330mm
9 Columns

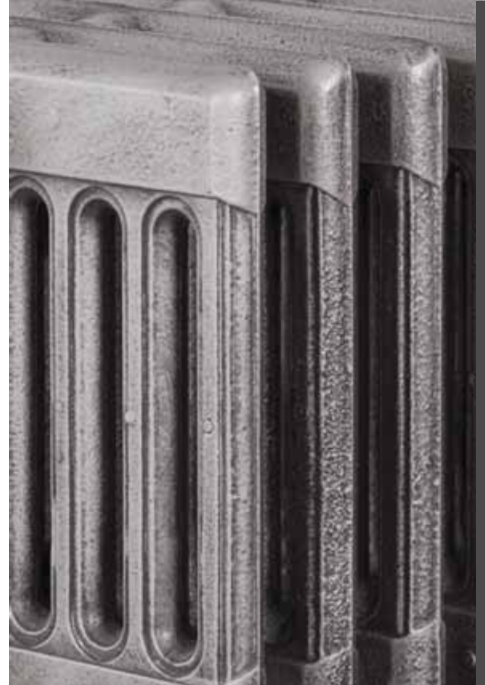


Hammered Bronze
Height 330mm
9 Columns

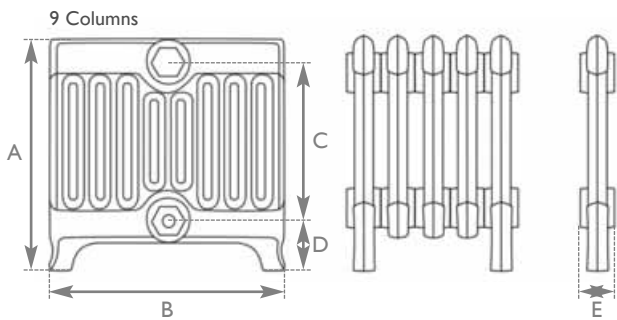


F&B Oval Room Blue
Height 330mm
9 Columns

Right:
Vintage
Silver



The Victorian 9 Column



Hand
Burnished

Code	Section Height A (mm)	Section Width B (mm)	Section Height C (mm)	Section Height D (mm)	Section Width E (mm)	Delta 50		Delta 60		Weight (Kg)		Wall Stays (Suitable Fitting)					Electric Heating Elements				
						BTU's	Watts	BTU's	Watts	Empty	Filled	HANI03	HANI04	HAN205	HAN206	LD055	LD056	RTO035	1200W Output	1500W Output	2000W Output
						Min sections	Min sections	Min sections													
LD009/010	330	330	217	75	56	332	97	418	123	7.8	8.9	X	X	X	X	X	X	10 (12‡)	11 (15‡)	12 (21‡)	

(Electric Heating Elements) ‡Denotes the minimum number of sections required to achieve maximum heat output for the heating element. For the full range/finishes of electric heating elements, see page 75



Hand Burnished



Willow Green
Height 1030mm

Foundry Grey
Height 1030mm

Graphite Grey
Height 1030mm

More paint finishes on page 3

The Rathmell 2 Column

The Rathmell 2 Column is the latest addition to the contemporary Rathmell cast iron range. The design for this radiator is unique to the Carron range as it was designed by our in-house team who based this radiator on the Rathmell 4 Column, which was first created 3 years ago.

This radiator, although still traditional, brings a more modern look with the arched foot and the concave profile to the outer edge of the casting. Due to the narrow profile of the 2 columns, this radiator is suitable for hallways and thoroughfares, allowing more room within your home.

Available in **over 10,000 painted colours** and bespoke finishes.



Satin Black
Height 1030mm

Hammered Bronze
Height 1030mm

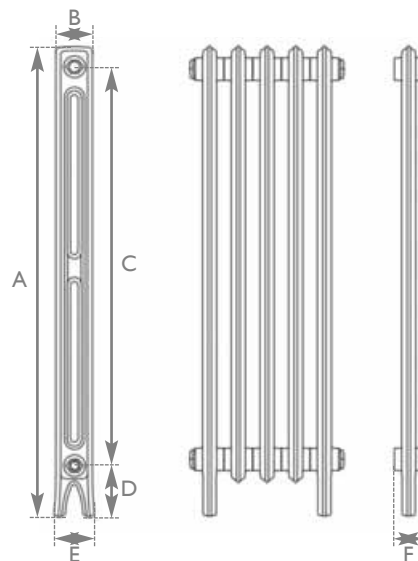
Ancient Breeze
Height 1030mm

French Grey
Height 1030mm

Vellum
Height 1030mm



Hand Burnished



Code	Section Height A (mm)	Section Width B (mm)	Section Height C (mm)	Section Height D (mm)	Section Width E (mm)	Section Depth F (mm)	Delta 50		Delta 60		Weight (Kg)		Wall Stays (Suitable Fitting)					Electric Heating Elements				
							BTU's	Watts	BTU's	Watts	Empty	Filled	HAN103	HAN104	HAN205	HAN206	LD055	LD056	RTO035	1200W Output	1500W Output	2000W Output
							Min sections	Min sections	Min sections													
TBK137/138	1030	81	867	115	88	62	289	85	365	107	5.6	6.3	✓	✓	✓	✓	✓	X	✓	9 (14‡)	10 (18‡)	11 (24‡)

(Electric Heating Elements) ‡Denotes the minimum number of sections required to achieve maximum heat output for the heating element. For the full range/finishes of electric heating elements, see page 75



The Rathmell 2 Column



Roberson Steel Grey, Height 810mm



Roberson Baroque
Height 460mm

Roberson Renaissance Gold
Height 665mm

Roberson Graphite
Height 810mm

More paint finishes on page 3

The Rathmell 4 Column

Available in 3 different heights, this stylish cast iron radiator design features a curved top and crisp lines.

The Rathmell cast iron radiators feet are seamlessly incorporated and delicately shaped with an inner arch. These combine to give the Rathmell cast iron radiator a more contemporary feel than the traditional Victorian model.

Carron cast iron radiators include **FREE UK Mainland delivery** (Minimum spend and T&Cs apply) and are available in **over 10,000 colours**



Little Greene
— PAINT & PAPER —

Roberson
Liquid Metals



Hammered Bronze
Height 810mm
4 Columns



Buttermilk
Height 665mm
4 Columns

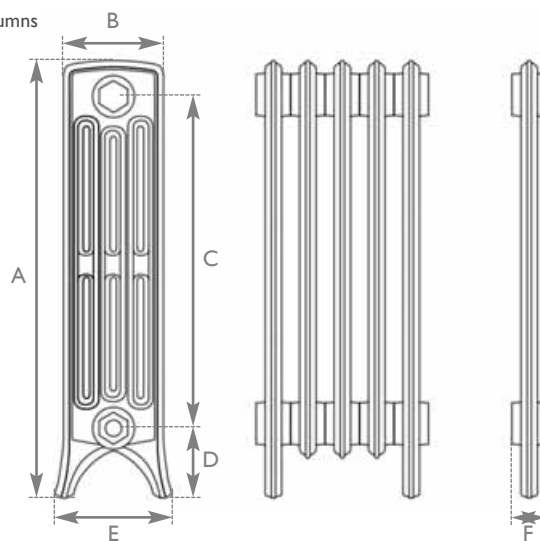


Antiqued French Grey
Height 460mm
4 Columns



Roberson Baroque

4 Columns



Code	Section Height A (mm)	Section Width B (mm)	Section Height C (mm)	Section Height D (mm)	Section Width E (mm)	Section Depth F (mm)	Delta 50		Delta 60		Weight (Kg)		Wall Stays (Suitable Fitting)					Electric Heating Elements				
							BTU's	Watts	BTU's	Watts	Empty	Filled	HAN103	HAN104	HAN205	HAN206	LD055	LD056	RTO035	1200W Output	1500W Output	2000W Output
							Min sections	Min sections	Min sections													
TBK072/073	460	160	300	110	180	63	201	59	252	74	4.2	4.9	X	X	X	X	✓	✓	✓	9 (20‡)	10 (25‡)	11 (34‡)
TBK067/068	665	150	498	112	170	63	289	85	366	107	5.7	6.6	X	X	X	X	✓	✓	✓	9 (14‡)	10 (18‡)	11 (24‡)
TBK074/075	810	150	640	115	180	62	350	102	443	130	7.35	8.52	X	X	X	X	✓	✓	✓	9 (12‡)	10 (15‡)	11 (20‡)



Roberson Bronze
Height 810mm



Roberson Steel Grey, Height 460mm

More paint finishes on page 3



Vintage Copper
Height 810mm
6 Columns



Roberson Fine Gold
Height 460mm
6 Columns



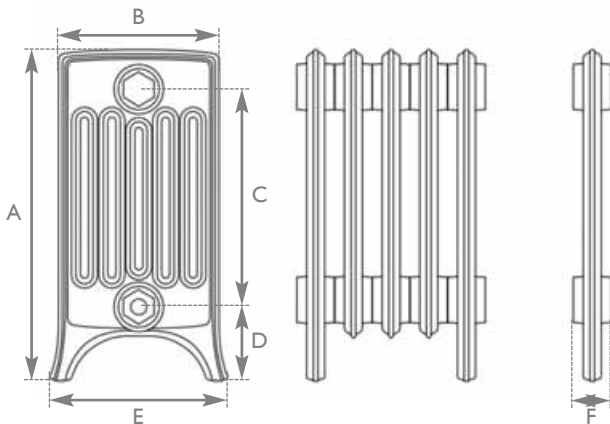
Roberson Graphite
Height 340mm
9 Columns



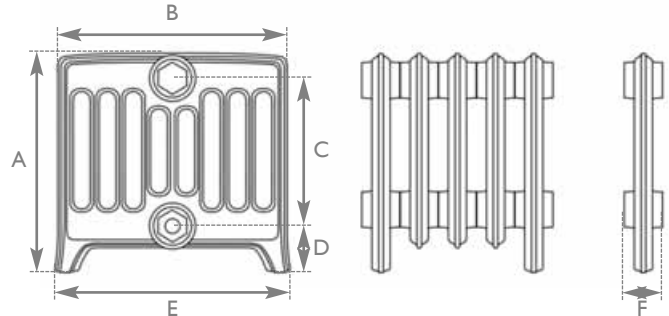
Roberson Old Silver, Height 340mm

The Rathmell 6 & 9 Column

6 Columns - TBK076 - 079



9 Columns - TBK070/071



Code	Section Height A (mm)	Section Width B (mm)	Section Height C (mm)	Section Height D (mm)	Section Width E (mm)	Section Depth F (mm)	Delta 50		Delta 60		Weight (Kg)		Wall Stays (Suitable Fitting)					Electric Heating Elements				
							BTU's	Watts	BTU's	Watts	Empty	Filled	HAN103	HAN104	HAN205	HAN206	LD055	LD056	RTO035	1200W Output	1500W Output	2000W Output
							Min sections	Min sections	Min sections													
TBK076/077	460	220	300	105	240	63	280	82	351	103	5.8	6.7	X	X	X	X	✓	✓	X	9 (15‡)	10 (18‡)	11 (24‡)
TBK078/079	810	230	640	120	260	63	509	149	650	190	10.93	12.42	X	X	X	X	✓	✓	X	9 (8‡)	10 (10‡)	11 (13‡)
TBK070/071	340	340	215	77	350	62	348	102	440	129	6.5	7.6	X	X	X	X	X	X	X	9 (12‡)	10 (15‡)	11 (20‡)

(Electric Heating Elements) ‡Denotes the minimum number of sections required to achieve maximum heat output for the heating element. For the full range/finishes of electric heating elements, see page 75



Foundry Grey



Pewter Lustre
Height 785mm



Bare Metal
Height 590mm

More paint finishes on page 3

The Duchess 2 Column

The Duchess cast iron radiator comes in two heights, 590mm and 785mm and is one of our most popular models. The options of both floor standing and wall hung makes the Duchess 2 column a versatile cast iron radiator.

With its simple fresh appearance, it suits both traditional and contemporary properties and suits a wide range of painted finishes/hand burnished finishes which makes this a great choice for any room, any colour and any style of décor.

Follow Us On Social Media



Roberson
Blackened Bronze
Height 785mm



Chrome Effect on
White Base
Height 785mm



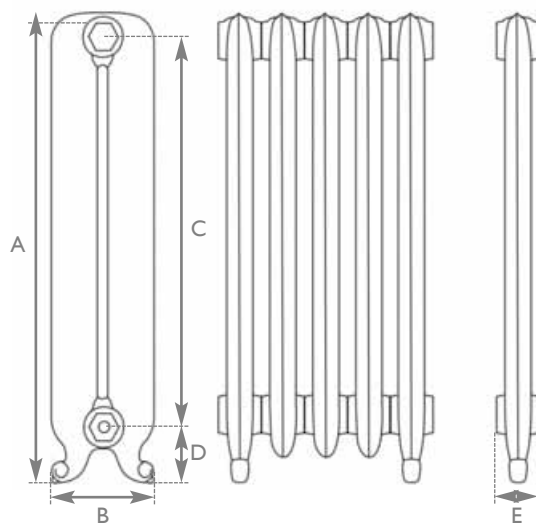
Graphite Grey
Height 590mm



Willow Green
Height 590mm



Parchment White



Code	Section Height A (mm)	Section Width B (mm)	Section Height C (mm)	Section Height D (mm)	Section Width E (mm)	Delta 50		Delta 60		Weight (Kg)		Wall Stays (Suitable Fitting)					Electric Heating Elements			
						BTU's	Watts	BTU's	Watts	Empty	Filled	HANI03	HANI04	HAN205	HAN206	LD055	LD056	RTO035	1200W Output	1500W Output
																		Min sections	Min sections	Min sections
TBK023/024	590	175	450	100	71	298	87	375	110	8.8	10.4	✓	✓	✓	✓	✓	✓	8 (14‡)	9 (17‡)	10 (23‡)
TBK021/022	785	175	640	100	71	382	112	481	141	11.6	13.6	✓	✓	✓	✓	✓	✓	8 (11‡)	9 (13‡)	10 (18‡)

(Electric Heating Elements) ‡Denotes the minimum number of sections required to achieve maximum heat output for the heating element. For the full range/finishes of electric heating elements, see page 75



The Duchess





Foundry Grey



Satin Polished
Height 330mm

More paint finishes on page 3

The Duchess 4 Column

Having a low profile making it ideal for conservatories or under low window sills, the Duchess 4 column is a floor standing only cast iron radiator available in 330mm high.

With its plain curved profile it suits a wide variety of applications, including traditional and contemporary properties.

The Duchess 4 column, looks fantastic in both metallic paint and polished options. This models design epitomises the 'traditional' cast iron radiator.

For our full range of accessories including **valves**, **wall stays** and **bleed nipples** see pages 68-75.



Parchment White
Height 330mm



Graphite Grey
Height 330mm



Satin Black
Height 330mm



F&B Skylight
Height 330mm



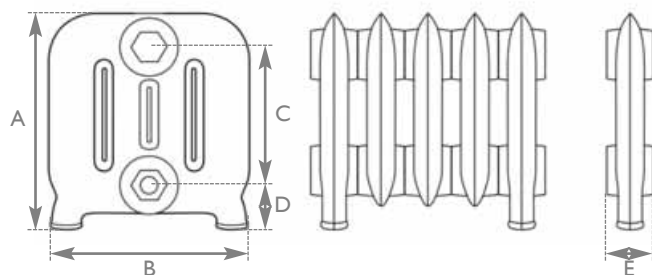
Antiqued French Grey
Height 330mm



Hammered Bronze
Height 330mm



Vellum



Code	Section Height A (mm)	Section Width B (mm)	Section Height C (mm)	Section Height D (mm)	Section Width E (mm)	Delta 50		Delta 60		Weight (Kg)		Wall Stays (Suitable Fitting)						Electric Heating Elements		
						BTU's	Watts	BTU's	Watts	Empty	Filled	HANI03	HANI04	HAN205	HAN206	LD055	LD056	RTO035	1200W Output	1500W Output
TBK124/125	330	310	205	70	75	286	84	357	105	8.3	10.1	X	X	X	X	X	X	8 (14‡)	8 (18‡)	9 (24‡)

(Electric Heating Elements) ‡Denotes the minimum number of sections required to achieve maximum heat output for the heating element. For the full range/finishes of electric heating elements, see page 75



The Duchess 4 Column



Little Greene Dark Lead



Ancient Breeze
Height 480mm

Buttermilk
Height 620mm

Graphite Grey
Height 770mm

More paint finishes on page 3

The Eton

The Eton's simplicity, with a design consisting of straight edges and a curved top, is the perfect fit for a range of environments. It is both visually stunning and highly functional.

Its plain design can be accentuated with the addition of a bespoke finish or looks stunning in the hand burnished finish.

Available in 3 heights including 480mm, 620mm and 770mm, the Eton cast iron radiator can be floor standing or wall mounted.

Hand-assembled and **rigorously tested** in Lincolnshire by **Master Craftsmen**.



Aburstig Gold Leaf
Height 770mm



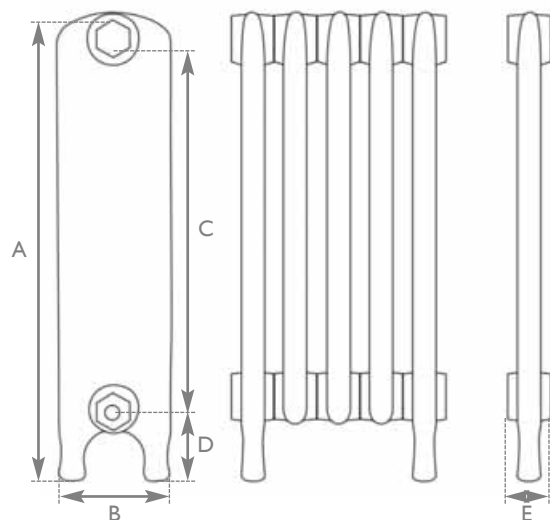
Roberson Silver Blush
Height 620mm



F&B Pitch Black
Height 480mm



Powder Coated -
Antiqued Silver



Code	Section Height A (mm)	Section Width B (mm)	Section Height C (mm)	Section Height D (mm)	Section Width E (mm)	Delta 50		Delta 60		Weight (Kg)		Wall Stays (Suitable Fitting)					Electric Heating Elements			
						BTU's	Watts	BTU's	Watts	Empty	Filled	HAN103	HAN104	HAN205	HAN206	LD055	LD056	RTO035	1200W Output	1500W Output
																		Min sections	Min sections	Min sections
TBK118/119	480	150	340	100	66	182	53	231	68	6.7	7.7					X		9 (23‡)	9 (28‡)	10 (38‡)
TBK128/129	620	150	480	100	66	226	66	283	83	7.7	9.0					X		9 (18‡)	9 (23‡)	10 (30‡)
TBK120/121	770	150	630	100	66	272	80	343	100	9.0	10.7					X		9 (15‡)	9 (19‡)	10 (25‡)



The Eton



F&B Mole's Breath



Satin Polished
Height 765mm

More paint finishes on page 3

The Narrow Eton

With its slender profile, the Narrow Eton cast iron radiator, is a slim version of our classic designed Eton. At just **80mm deep**, makes a great choice for hallways, corridors and spaces with restricted width. Its simple design fits both modern and period properties.

This floor standing only model with a height of 765mm, looks great in both painted and polished finishes.

Available in over 10,000 painted colours including Farrow & Ball, Little Greene and Roberson Liquid Metals. Specialist finishes are also available in Pewter Lustre, Hand Burnished, Satin Polished and Antique.



F&B Bone
Height 765mm



Ancient Breeze
Height 765mm



Antiqued French Grey
Height 765mm



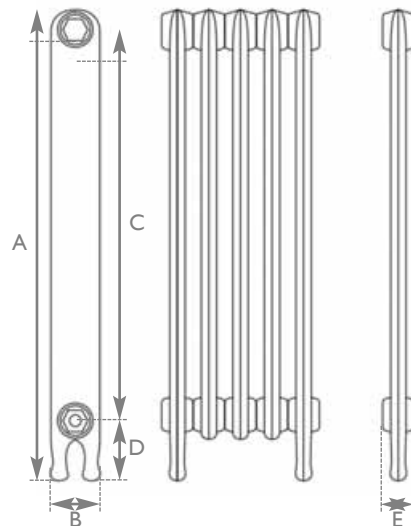
Hammered Bronze
Height 765mm



Roberson Royal Gold
Height 765mm



Satin Polished



Code	Section Height A (mm)	Section Width B (mm)	Section Height C (mm)	Section Height D (mm)	Section Width E (mm)	Delta 50		Delta 60		Weight (Kg)		Wall Stays (Suitable Fitting)					Electric Heating Elements				
						BTU's	Watts	BTU's	Watts	Empty	Filled	HANI03	HANI04	HAN205	HAN206	LD055	LD056	RTO035	1200W Output	1500W Output	2000W Output
																		Min sections	Min sections	Min sections	
TBK122/123	765	80	603	100	50	173	51	218	64	4.7	5.3	✓	✓	✓	✓	✓	✓	X	11 (24‡)	12 (29‡)	13 (39‡)

(Electric Heating Elements) ‡Denotes the minimum number of sections required to achieve maximum heat output for the heating element. For the full range/finishes of electric heating elements, see page 75

FOR INCREASED WIDTH
CUSTOM BUILD
SIMPLY ADD SECTIONS

The Narrow Eton



Antiqued Buttermilk



Parchment White
Height 610mm

Ancient Breeze
Height 795mm

More paint finishes on page 3

The Princess

The shallow depth of 125mm make the Princess cast iron radiator ideal for hallways or similar narrow thoroughfares which spacing is critical. With a variety of heights to choose from, 460mm, 610mm and 795mm makes it easier to achieve the correct BTU's for the room being heated.

This popular model of radiator, works well in a wide section of colours and finishes such as hand burnished, painted or in one of our specialised metallic paints. This radiator can also be wall or floor mounted.



Little Greene
— PAINT & PAPER —

Roberson
Liquid Metals



F&B
Lulworth Blue
Height 795mm

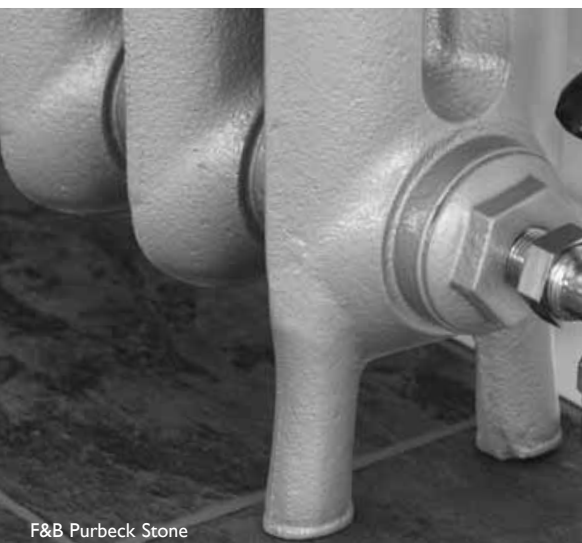
F&B
Arsenic
Height 795mm

Parchment White
Height 610mm

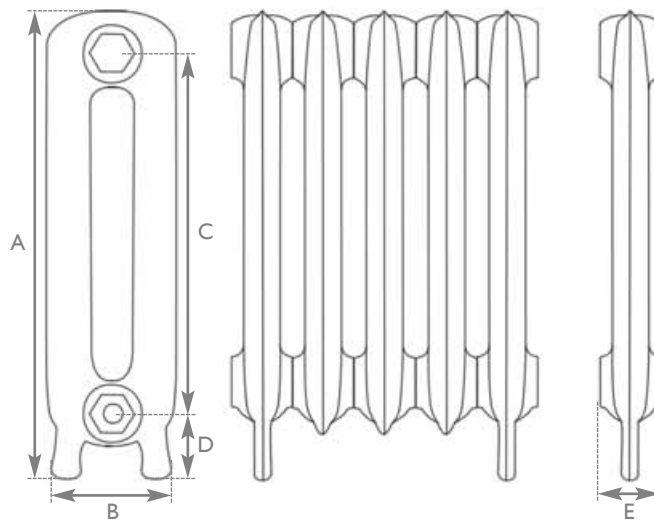
French Grey
Height 610mm

Hand Burnished
Height 460mm

Foundry Grey
Height 460mm



F&B Purbeck Stone



Code	Section Height A (mm)	Section Width B (mm)	Section Height C (mm)	Section Height D (mm)	Section Width E (mm)	Delta 50		Delta 60		Weight (Kg)		Wall Stays (Suitable Fitting)					Electric Heating Elements			
						BTU's	Watts	BTU's	Watts	Empty	Filled	HAN103	HAN104	HAN205	HAN206	LD055	LD056	RTO035	1200W Output	1500W Output
																		Min sections	Min sections	Min sections
TBK102/103	460	125	300	105	76	171	50	213	62	5.3	6.2	✓	✓	✓	✓	✓	✓	8 (24‡)	8 (30‡)	9 (40‡)
TBK104/105	610	125	450	105	75	226	66	281	83	7.8	8.8	✓	✓	✓	✓	✓	✓	8 (18‡)	8 (23‡)	9 (30‡)
TBK106/107	795	125	640	105	76	315	92	397	116	9.3	11.9	✓	✓	✓	✓	✓	✓	8 (13‡)	8 (16‡)	9 (22‡)



The Princess



Parchment White



Carron Colour Range
Height 750mm

The Peerless 2 Column

With sharp lines combined with a curved top, the Peerless cast iron radiator provides a very contemporary design.

The depth helps provide a significant heat output and the cast iron ensures the heat is retained long after the heating system has been switched off.

The Peerless lends itself to a multitude of colours and finishes. **Select from over 10,000 colour options.**

See **page 3** or www.carronheating.co.uk for more finishes.



Hammered Bronze
Height 750mm

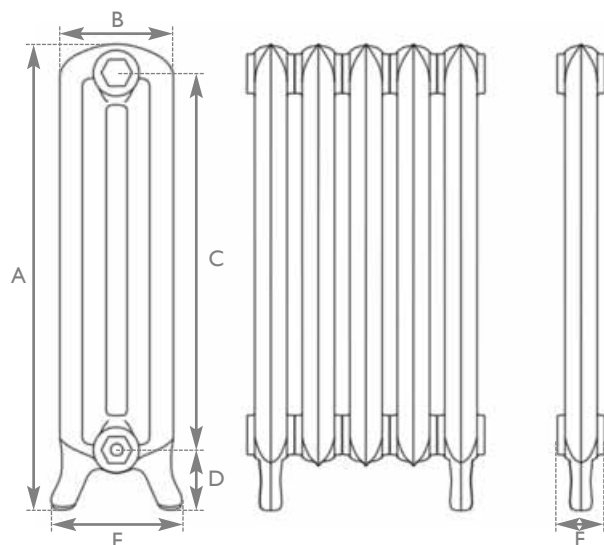
Antiqued
French Grey
Height 750mm

Pewter Lustre
Height 550mm

F&B Pale Hound
Height 550mm



Satin Polished



Code	Section Height A (mm)	Section Width B (mm)	Section Height C (mm)	Section Height D (mm)	Section Width E (mm)	Section Depth F (mm)	Delta 50		Delta 60		Weight (Kg)		Electric Heating Elements								
							Watts		Watts		Empty	Filled	Wall Stays (Suitable Fitting)								
							BTU's	Watts	BTU's	Watts			HAN103	HAN104	HAN205	HAN206	LD055	LD056	RTO035	1200W Output	1500W Output
TBK108/109	550	190	400	100	215	77	284	83	355	104	9.1	10.8	✓	✓	✓	✓	✓	✓	8 (14‡)	8 (18‡)	9 (24‡)
TBK110/111	750	190	600	100	215	77	398	117	503	148	11.9	14.3	✓	✓	✓	✓	✓	✓	8 (10‡)	8 (13‡)	9 (17‡)

(Electric Heating Elements) ‡Denotes the minimum number of sections required to achieve maximum heat output for the heating element. For the full range/finishes of electric heating elements, see page 75

AVAILABLE IN OVER
10,000 COLOURS
AVAILABLE IN OVER

The Peerless



Highlight Polished



Parchment White
Height 645mm

More paint finishes on page 3

The Liberty 1 Column

Inspired by the Art Nouveau movement, the Liberty cast iron radiator makes a superb statement piece within any décor but without a dominating floral pattern. Embracing the essence of this style with the flowing lines and detailed foot, the Liberty cast iron radiator is a versatile choice looking good in both painted and polished finishes.

Also available as a **2 column** model.

Carron cast iron radiators include **FREE UK Mainland delivery** (Minimum spend and T&Cs apply)



Ancient Breeze
Height 645mm



Antiqued French Grey
Height 645mm



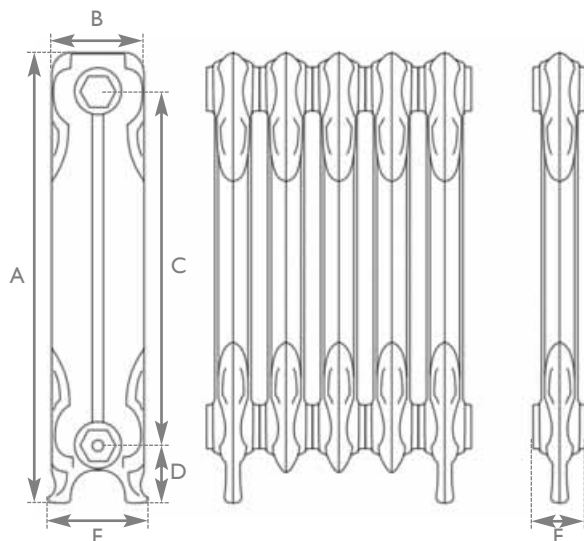
Roberson Bronze
Height 645mm



Hammered Bronze
Height 645mm



Antiqued Silver



Code	Section Height A (mm)	Section Width B (mm)	Section Height C (mm)	Section Height D (mm)	Section Width E (mm)	Section Depth F (mm)	Delta 50		Delta 60		Weight (Kg)		Wall Stays (Suitable Fitting)						Electric Heating Elements			
							BTU's	Watts	BTU's	Watts	Empty	Filled	HAN103	HAN104	HAN205	HAN206	LD055	LD056	RTO035	1200W Output	1500W Output	2000W Output
																				Min sections	Min sections	Min sections
TBK044/045	645	135	500	95	145	81	300	88	374	110	7.2	9.3	✓	✓	✓	✓	✓	✓	✓	7 (14‡)	8 (17‡)	9 (23‡)

(Electric Heating Elements) ‡Denotes the minimum number of sections required to achieve maximum heat output for the heating element. For the full range/finishes of electric heating elements, see page 75

HAND BURNISHED
RECOMMENDED
SATIN POLISHED

The Liberty 1 Column

Satin Polished, Height 645mm



Gold Leaf Aged Purple



Gold Leaf Italian Aged Red
Height 865mm

The Liberty 2 Column

Inspired by the Art Nouveau movement, the Liberty cast iron radiator makes a superb statement piece within any décor but without a dominating floral pattern. Embracing the essence of this style with the flowing lines and detailed foot, the Liberty cast iron radiator is a versatile choice looking good in both painted and polished finishes.

Also available as a **1 column** model.

Recommended in Satin or Highlight Polish.

Follow Us On Social Media



More paint finishes on page 3



Highlight Polish
Height 865mm



Willow Green
Height 865mm



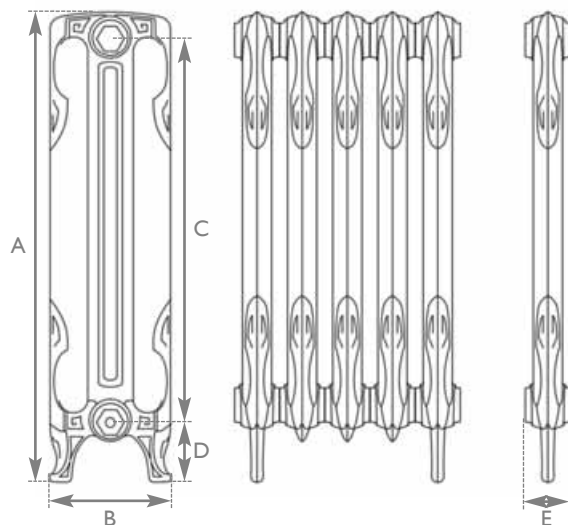
Foundry Grey
Height 865mm



Gold Leaf Aged Black
Height 865mm



Satin Polished



Code	Section Height A (mm)	Section Width B (mm)	Section Height C (mm)	Section Height D (mm)	Section Width E (mm)	Delta 50		Delta 60		Weight (Kg)		Wall Stays (Suitable Fitting)						Electric Heating Elements			
						BTU's	Watts	BTU's	Watts	Empty	Filled	HAN103	HAN104	HAN205	HAN206	LD055	LD056	RTO035	1200W Output	1500W Output	2000W Output
						Min sections	Min sections	Min sections													
TBK042/043	865	220	700	120	81	537	157	685	201	14.3	18.0	✓	✓	✓	✓	✓	✓	7 (8‡)	8 (10‡)	9 (13‡)	

(Electric Heating Elements) ‡Denotes the minimum number of sections required to achieve maximum heat output for the heating element. For the full range/finishes of electric heating elements, see page 75



The Liberty 2 Column



Satin Polished



Antiqued Silver
Height 790mm

More paint finishes on page 3

The Dragonfly

The Dragonfly Cast iron radiator epitomises organic Art Nouveau design. Featuring lily pads, bull rushes, and as the radiator name suggests, dragonflies, this cast iron radiator boasts a unique ornate feet detail. An impressive output of 462 BTU's per section make this 790mm cast iron radiator great performer as well as aesthetically pleasing.

The extensive detail on this cast iron radiator is further enhanced by selecting our specialist patina finish, antique French grey.

Available in **over 10,000 painted colours** and bespoke finishes.



Highlight Polish
Height 790mm



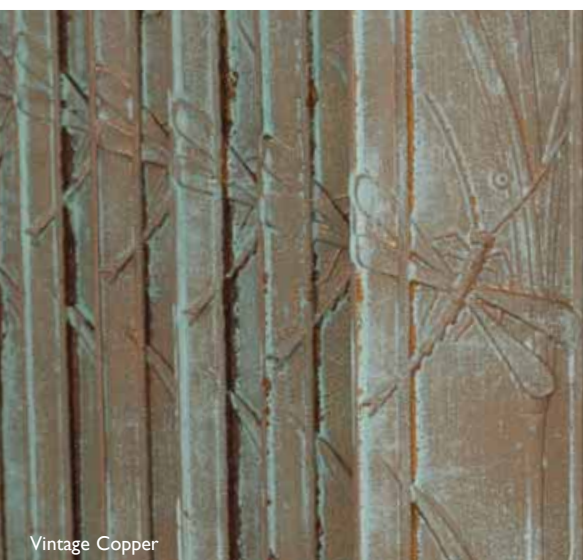
Satin Polished
Height 790mm



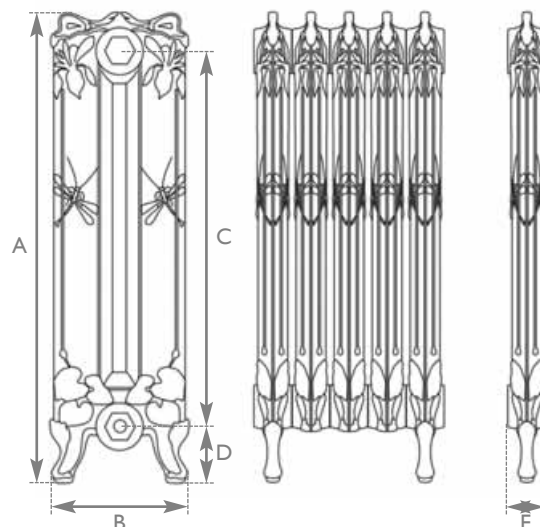
Roberson Royal Gold
Height 790mm



Hammered Bronze
Height 790mm



Vintage Copper



Code	Section Height A (mm)	Section Width B (mm)	Section Height C (mm)	Section Height D (mm)	Section Width E (mm)	Delta 50		Delta 60		Weight (Kg)		Wall Stays (Suitable Fitting)							Electric Heating Elements		
						BTU's	Watts	BTU's	Watts	Empty	Filled	HAN103	HAN104	HAN205	HAN206	LD055	LD056	RTO035	1200W Output	1500W Output	2000W Output
TBK046/047	790	225	620	105	85	462	136	578	169	12.2	15.1	✓	✓	✓	✓	✓	✓	✓	7 (9‡)	8 (11‡)	8 (15‡)

(Electric Heating Elements) ‡Denotes the minimum number of sections required to achieve maximum heat output for the heating element. For the full range/finishes of electric heating elements, see page 75



The Dragonfly



Highlight Polished



Roberson Pewter
Height 585mm & 795mm

The Deco

With its strong geometric forms, bring a touch of 1930s glamour to your home with the Deco cast iron radiator. The subtle Art Deco detailing transforms this radiator into an elegant option to some of our more highly decorative models and can suit a more minimalist setting.

Available in two heights of 585mm and 795mm, this model is suitable for both floor and wall mounting.

Select from **over 10,000 painted colours** and bespoke finishes.

More paint finishes on page 3



Antiqued French Grey
Height 795mm



Vellum
Height 795mm



Roberson Old Silver
Height 585mm



F&B Borrowed Light
Height 585mm

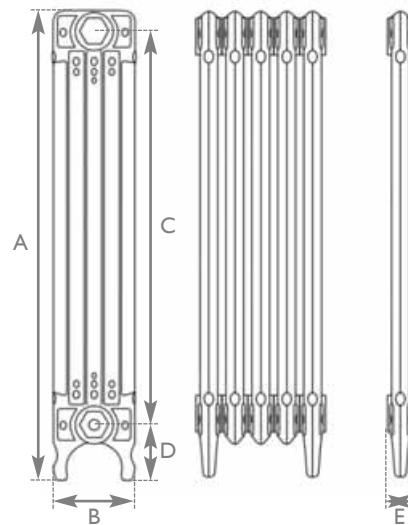


Little Greene
— PAINT & PAPER —

Roberson
Liquid Metals



Satin Polished



Code	Section Height A (mm)	Section Width B (mm)	Section Height C (mm)	Section Height D (mm)	Section Width E (mm)	Delta 50		Delta 60		Weight (Kg)		Wall Stays (Suitable Fitting)						Electric Heating Elements			
						BTU's	Watts	BTU's	Watts	Empty	Filled	HANI03	HANI04	HAN205	HAN206	LD055	LD056	RTO035	1200W Output	1500W Output	2000W Output
						Min sections	Min sections	Min sections	Min sections	Min sections	Min sections	Min sections	Min sections	Min sections	Min sections	Min sections	Min sections	Min sections			
TBK050/051	585	140	450	100	52	202	59	253	74	5.2	6.3	✓	✓	✓	✓	X	X	✓	11 (20‡)	11 (25‡)	12 (34‡)
TBK048/049	795	140	660	100	52	267	78	337	99	7.1	8.4	✓	✓	✓	✓	X	X	✓	11 (15‡)	11 (19‡)	12 (26‡)

(Electric Heating Elements) ‡Denotes the minimum number of sections required to achieve maximum heat output for the heating element. For the full range/finishes of electric heating elements, see page 75

AVAILABLE IN OVER
10,000 COLOURS
AVAILABLE IN OVER



The Deco



Hand Burnished, Height 780mm



Vintage Copper
Height 780mm

More paint finishes on page 3

The Daisy

With the daisy design organically growing from scroll detailed feet, combined with the arched top adorned with further daisy and ribbon detail, it's of no surprise the Daisy cast iron radiator is our most popular decorative design.

French in origin and dating from the 1890s the Daisy cast iron radiator is available in two heights, 595mm and 780mm making it a versatile radiator for use throughout the home.

Available in **over 10,000 painted colours** and bespoke finishes.



Little Greene
— PAINT & PAPER —

Roberson
Liquid Metals



Highlight Polish
Height 780mm



F&B Stone Blue
Height 780mm



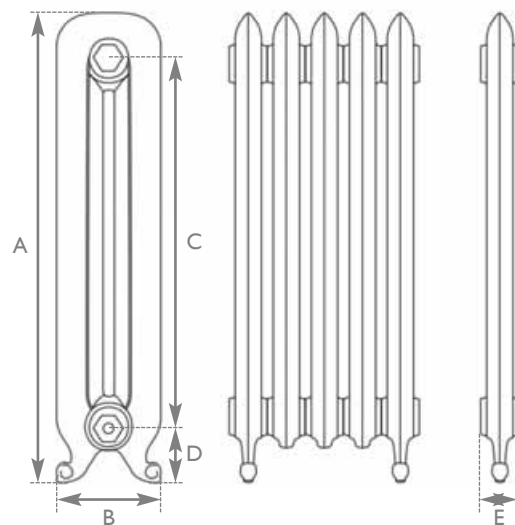
Pewter Lustre
Height 595mm



Buttermilk
Height 595mm



Hand Burnished



Code	Section Height A (mm)	Section Width B (mm)	Section Height C (mm)	Section Height D (mm)	Section Width E (mm)	Delta 50		Delta 60		Weight (Kg)		Wall Stays (Suitable Fitting)							Electric Heating Elements		
						BTU's	Watts	BTU's	Watts	Empty	Filled	HANI03	HANI04	HAN205	HAN206	LD055	LD056	RTO035	1200W Output	1500W Output	2000W Output
						Min sections	Min sections	Min sections													
TBK086/087	595	175	400	110	66	270	79	338	99	8.6	10.1	✓	✓	✓	✓	✓	✓	9 (15‡)	9 (19‡)	10 (25‡)	
TBK084/085	780	175	600	95	66	362	106	456	134	11.3	13.3	✓	✓	✓	✓	✓	✓	9 (11‡)	9 (14‡)	10 (19‡)	

(Electric Heating Elements) ‡Denotes the minimum number of sections required to achieve maximum heat output for the heating element. For the full range/finishes of electric heating elements, see page 75



The Daisy



Satin Polished



Copper Leaf & Verdigris
Height 800mm

The Verona

The versatile Verona cast iron radiator was originally manufactured in Massachusetts – USA by the revered American Radiator Company. The sections are heavily detailed with cherubs, dragons and lions and are entwined with vine leaves.

Using bespoke finishes such as antiqued French grey or selecting one of the burnished options further highlight this cast iron radiators superb detail.

For our full range of accessories including **valves**, **wall stays** and **bleed nipples** see pages 68-75.

More paint finishes on page 3



Roberson Old Silver
Height 800mm



Highlight Polish
Height 800mm



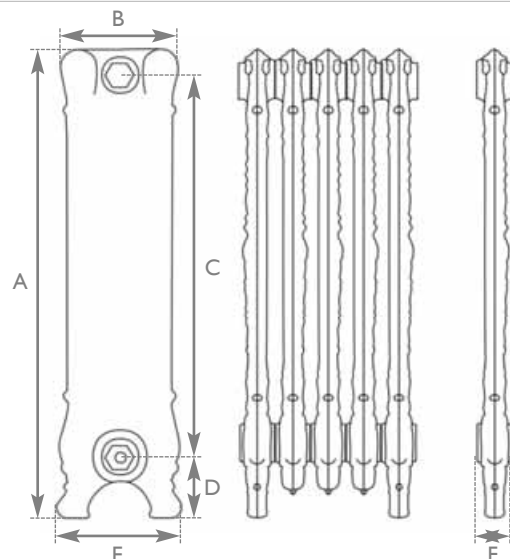
Gold Leaf Aged Black
Height 800mm



F&B Hay
Height 800mm



Antiqued Hammered Gold



Code	Section Height A (mm)	Section Width B (mm)	Section Height C (mm)	Section Height D (mm)	Section Width E (mm)	Section Depth F (mm)	Delta 50		Delta 60		Weight (Kg)		Wall Stays (Suitable Fitting)						Electric Heating Elements			
							BTU's	Watts	BTU's	Watts	Empty	Filled	HAN103	HAN104	HAN205	HAN206	LD055	LD056	RTO035	1200W Output	1500W Output	2000W Output
																				Min sections	Min sections	Min sections
LD005/006	800	200	640	110	215	62	384	112	488	143	14.3	16.5	✓	✓	✓	✓	X	X	✓	9 (11‡)	10 (13‡)	11 (18‡)

(Electric Heating Elements) ‡Denotes the minimum number of sections required to achieve maximum heat output for the heating element. For the full range/finishes of electric heating elements, see page 75



The Verona



Hand Burnished



Autumn Gold Highlight
Height 500mm

More paint finishes on page 3

The Ribbon 2 Column

The 2 column Ribbon is available in 3 heights and features a Celtic band pattern gracefully flowing down the radiator.

Originally manufactured by the American Radiator Company, circa 1880, originals of this model can be typically found in churches throughout the world.

If a higher heat output is required we also offer the Ribbon 4 column radiator.

Available in over 10,000 painted colours including Farrow & Ball, Little Greene and Roberson Liquid Metals. Specialist finishes are also available in Pewter Lustre, Hand Burnished, Satin Polished, Highlight and Antique.



Ancient Breeze
Height 795mm
2 Columns



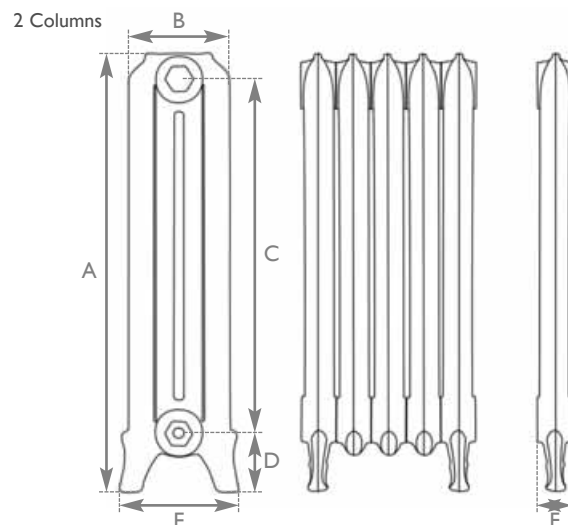
F&B Pigeon
Height 650mm
2 Columns



Vellum
Height 500mm
2 Columns



Hand Burnished



Code	Section Height A (mm)	Section Width B (mm)	Section Height C (mm)	Section Height D (mm)	Section Width E (mm)	Section Depth F (mm)	Delta 50		Delta 60		Weight (Kg)		Electric Heating Elements								
							BTU's	Watts	BTU's	Watts	Empty	Filled	Wall Stays (Suitable Fitting)								
							HAN103	HAN104	HAN205	HAN206	LD055	LD056	RTO035	1200W Output	1500W Output	2000W Output					
							Min sections	Min sections	Min sections												
TBK132/133	500	185	340	110	215	67	227	67	282	83	8.3	10.0	✓	✓	✓	✓	✓	X	9 (18‡)	9 (22‡)	10 (30‡)
TBK116/117	650	185	485	110	215	67	298	87	371	109	10.9	12.9	✓	✓	✓	✓	✓	X	9 (14‡)	9 (17‡)	10 (23‡)
TBK134/135	795	185	630	110	215	67	388	114	490	144	11.8	14.6	✓	✓	✓	✓	✓	X	9 (11‡)	9 (13‡)	10 (18‡)



The Ribbon 2 Column



Satin Polished, Height 810mm



Hammered Gold
Height 810mm

More paint finishes on page 3

The Ribbon 4 Column

The 4 column Ribbon is available in 2 heights and features a Celtic band pattern gracefully flowing down the radiator.

Originally manufactured by the American Radiator Company, circa 1880, originals of this model can be typically found in churches throughout the world.

Carron cast iron radiators include **FREE UK Mainland delivery** (Minimum spend and T&Cs apply)



Highlight Polish
Height 810mm

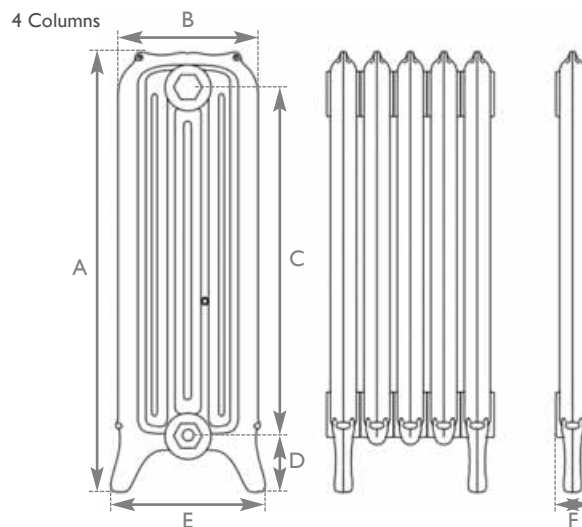
Roberson Baroque
Height 810mm

Vintage Copper
Height 530mm

Hand Burnished
Height 530mm



Antiqued Hammered Gold



Code	Section Height A (mm)	Section Width B (mm)	Section Height C (mm)	Section Height D (mm)	Section Width E (mm)	Section Depth F (mm)	Delta 50		Delta 60		Weight (Kg)		Wall Stays (Suitable Fitting)					Electric Heating Elements			
							BTU's	Watts	BTU's	Watts	Empty	Filled	HANI03	HANI04	HAN205	HAN206	LD055	LD056	RTO035	Min sections	Min sections
TBK114/115	530	260	350	110	285	71	379	111	479	140	11.36	13.01	✓	✓	✓	✓	✓	X	8 (11‡)	9 (14‡)	10 (18‡)
TBK130/131	810	265	630	112	290	71	579	170	740	217	19.2	22.0	✓	✓	✓	✓	X	8 (7‡)	9 (9‡)	10 (12‡)	

(Electric Heating Elements) ‡Denotes the minimum number of sections required to achieve maximum heat output for the heating element. For the full range/finishes of electric heating elements, see page 75

AVAILABLE IN OVER
10,000 COLOURS
AVAILABLE IN OVER



The Ribbon 4 Column



F&B New White



Highlight Polish
Height 985mm

More paint finishes on page 3

The Antoinette

The Antoinette cast iron radiator with its French Chateau styling makes the ideal statement piece whilst offering an impressive sectional BTU of 425. The intricate detail on this cast iron radiator lends itself perfectly for the hand burnished finish offered by Carron.

Our **tallest decorative cast iron radiator** at 985mm high, is only 155mm in depth and floor standing making the Antoinette suitable for all rooms including hallways.

Available in over 10,000 painted colours including Farrow & Ball, Little Greene and Roberson Liquid Metals. Specialist finishes are also available in Pewter Lustre, Hand Burnished, Satin Polished, Highlight and Antique.



Graphite Grey
Height: 985mm



Roberson Pale Gold
Height: 985mm



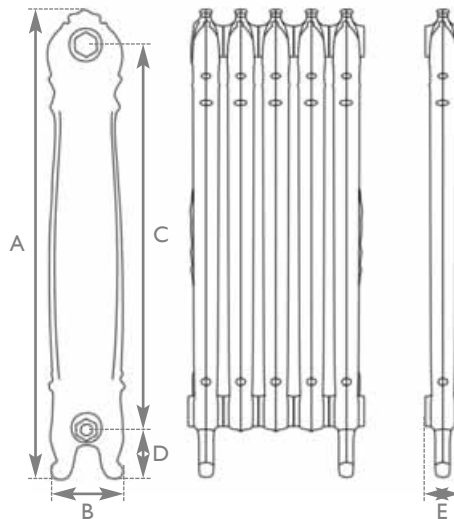
F&B Mouse's Back
Height: 985mm



Ancient Breeze
Height: 985mm

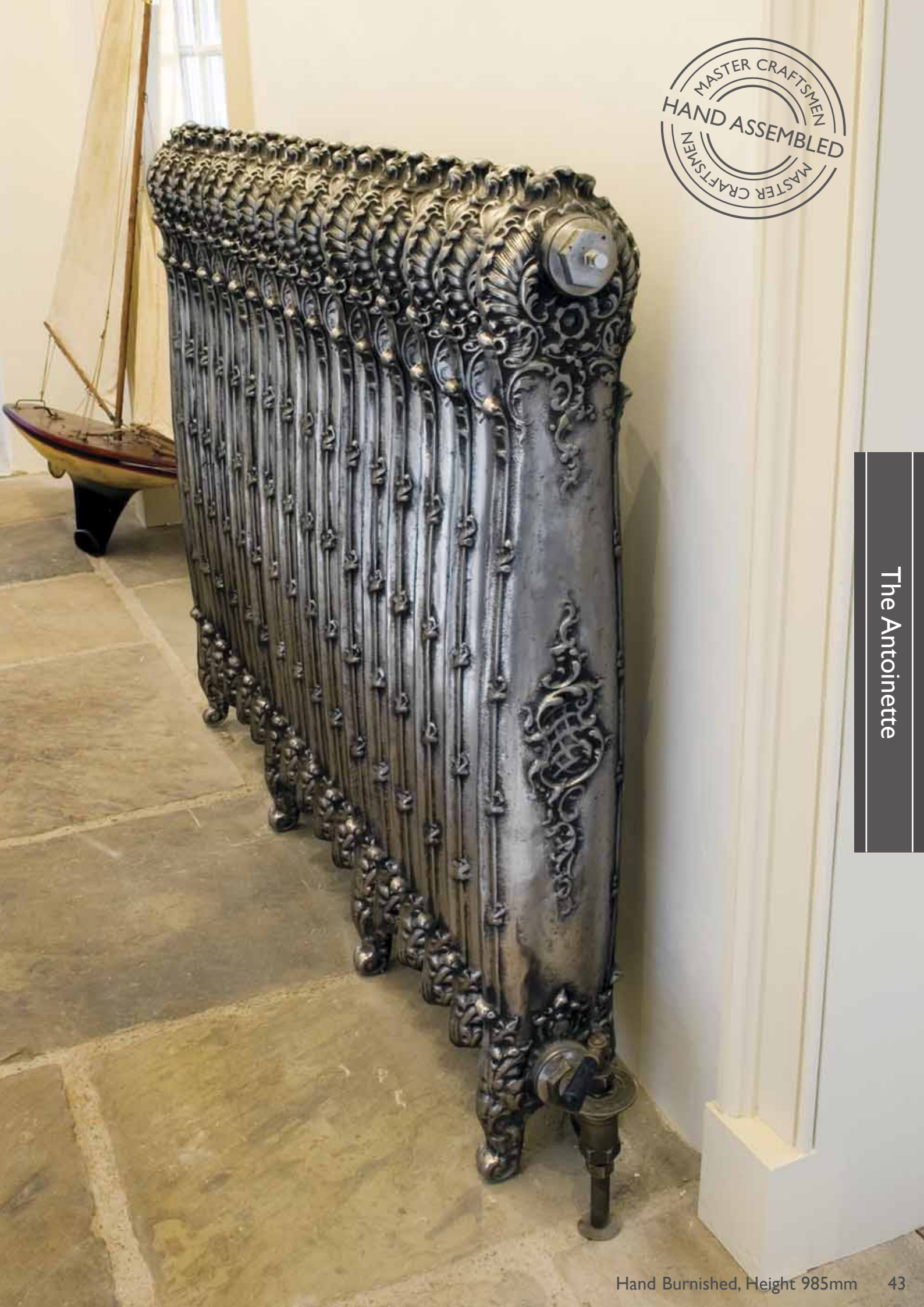


Hand Burnished



Code	Section Height A (mm)	Section Width B (mm)	Section Height C (mm)	Section Height D (mm)	Section Width E (mm)	Delta 50		Delta 60		Weight (Kg)		Wall Stays (Suitable Fitting)						Electric Heating Elements			
						BTU's	Watts	BTU's	Watts	Empty	Filled	HAN103	HAN104	HAN205	HAN206	LD055	LD056	RTO035	1200W Output	1500W Output	2000W Output
LD180/181	985	155	790	125	76	425	125	538	158	14.1	16.3	✓	✓	✓	✓	✓	✓	X	Min sections	Min sections	Min sections
																			8 (10‡)	8 (12‡)	9 (16‡)

(Electric Heating Elements) ‡Denotes the minimum number of sections required to achieve maximum heat output for the heating element. For the full range/finishes of electric heating elements, see page 75



The Antoinette



F&B Inchyra Blue



Parchment White
Height 670mm

More paint finishes on page 3

The Churchill

Originally the Churchill cast iron radiator style was heavy featured in government buildings. Due to its extraordinary high BTU output, up to 591 BTU's per section, making this cast iron radiator perfect for heating larger rooms.

Dating from the 1880s, this robust highly functional design is available in 2 heights, 670mm and 975mm. With its industrial styling, metallic painted finishes complete the look.

For our full range of accessories including **valves**, **wall stays** and **bleed nipples** see pages 68-75.



F&B House White
Height 975mm

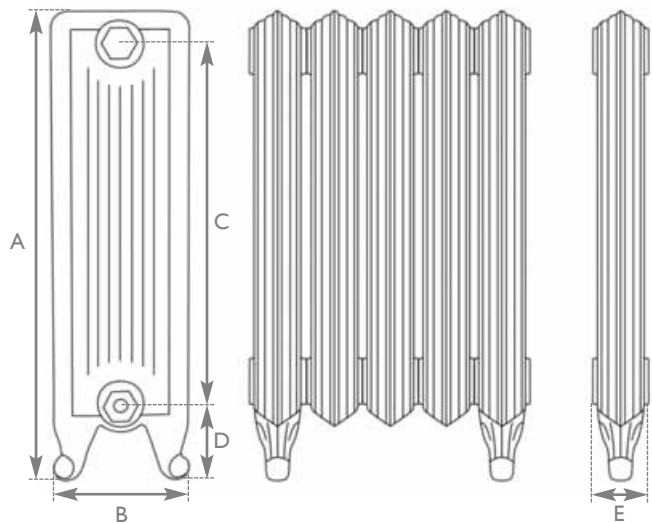
Foundry Grey
Height 975mm

Roberson Pewter
Height 670mm

Vintage Copper
Height 670mm

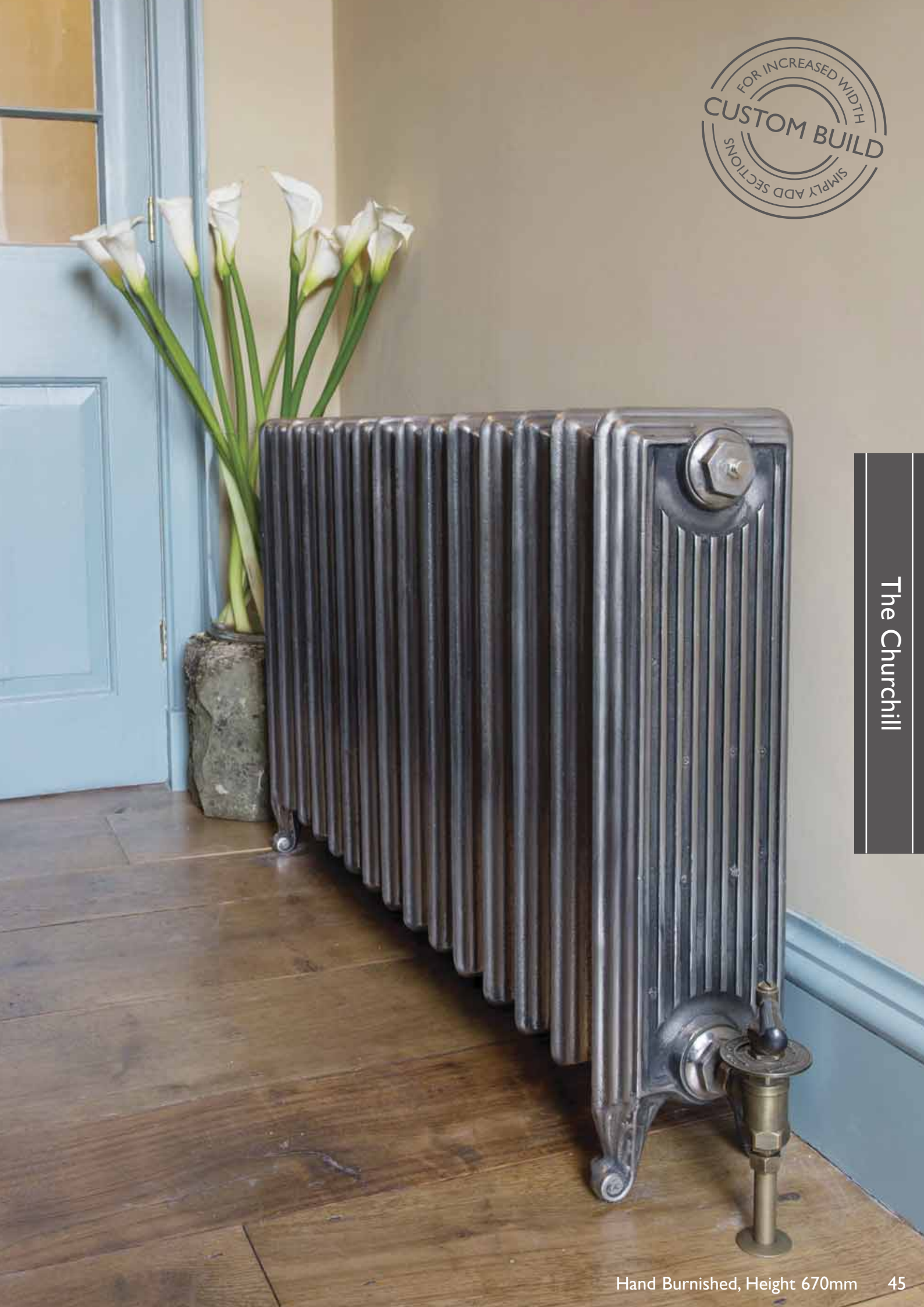


Hand Burnished



Code	Section Height A (mm)	Section Width B (mm)	Section Height C (mm)	Section Height D (mm)	Section Width E (mm)	Delta 50		Delta 60		Weight (Kg)		Wall Stays (Suitable Fitting)							Electric Heating Elements		
						BTU's	Watts	BTU's	Watts	Empty	Filled	HANI03	HANI04	HAN205	HAN206	LD055	LD056	RTO035	1200W Output	1500W Output	2000W Output
						Min sections	Min sections	Min sections													
LD080/081	670	195	500	115	76	431	126	532	156	14.9	17.3	✓	✓	✓	✓	✓	✓	X	8 (10‡)	8 (12‡)	9 (16‡)
LD082/083	975	195	790	140	80	591	173	755	221	24.6	28.5	✓	✓	✓	✓	✓	✓	X	7 (7‡)	8 (9‡)	9 (12‡)

(Electric Heating Elements) ‡Denotes the minimum number of sections required to achieve maximum heat output for the heating element. For the full range/finishes of electric heating elements, see page 75



The Churchill



Roberson Light Copper



Hand Burnished
Height 950mm



Vintage Copper
Height 660mm

The Rococo 1 Column

With elegant French styling featuring a decorative eared scroll top, the Rococo offers our largest range of models of one design.

With 6 models across the range, the Rococo cast iron radiator comes in a choice of 660mm and 950mm single columns, ideal for narrow spaces such as hallways, 560mm and 960mm 2 columns and 460mm and 780mm 3 columns, great for when heating larger rooms.

With such variety available, this allows the option to complete a whole project with one radiator style.

Bring out the beauty of the decoration by utilising the burnished or patina finishes.

More paint finishes on page 3



Vellum
Height 950mm
1 Column



Foundry Grey
Height 950mm
1 Column



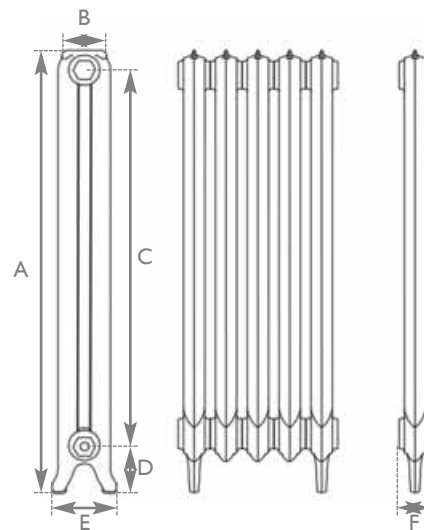
Antiqued
Willow Green
Height 660mm
1 Column



Highlight Polish
Height 660mm
1 Column



Hand Burnished



Code	Section Height A (mm)	Section Width B (mm)	Section Height C (mm)	Section Height D (mm)	Section Width E (mm)	Section Depth F (mm)	Delta 50		Delta 60		Weight (Kg)		Electric Heating Elements								
							Wall Stays (Suitable Fitting)		1200W Output		1500W Output		2000W Output								
							BTU's	Watts	BTU's	Watts	Empty	Filled	HAN103	HAN104	HAN205	HAN206	LD055	LD056	RTO035	Min sections	Min sections
LD221/222	660	115	500	110	140	75	237	69	297	87	8.1	10.1	✓	✓	✓	✓	✓	✓	8 (17‡)	8 (22‡)	9 (29‡)
LD217/218	950	115	790	110	140	75	329	96	410	120	10.8	12.1	✓	✓	✓	✓	✓	✓	8 (12‡)	8 (16‡)	9 (21‡)

(Electric Heating Elements) ‡Denotes the minimum number of sections required to achieve maximum heat output for the heating element. For the full range/finishes of electric heating elements, see page 75

CAST IRON RADIATORS
RADIATOR INLET
SELECT 15MM OR 22MM



The Rococo 1 Column



Antiqued French Grey



Hammered Gold
Height 960mm



Highlight Polish
Height 560mm

More paint finishes on page 3

The Rococo 2 Column

With elegant French styling featuring a decorative eared scroll top, the Rococo offers our largest range of models of one design.

With 6 models across the range, the Rococo cast iron radiator comes in a choice of 660mm and 950mm single columns, ideal for narrow spaces such as hallways, 560mm and 960mm 2 columns and 460mm and 780mm 3 columns, great for when heating larger rooms.

With such variety available, this allows the option to complete a whole project with one radiator style.

Bring out the beauty of the decoration by utilising the burnished or patina finishes.



Hand Burnished
Height 960mm
2 Columns



F&B Mole's Breath
Height 960mm
2 Columns



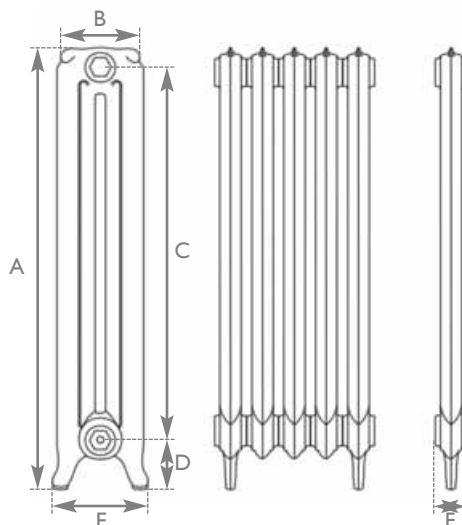
Roberson
Autumn Gold
Height 560mm
2 Columns



Antiqued F&B Eating
Room Red
Height 560mm
2 Columns



Hand Burnished



Code	Section Height A (mm)	Section Width B (mm)	Section Height C (mm)	Section Height D (mm)	Section Width E (mm)	Section Depth F (mm)	Delta 50		Delta 60		Weight (Kg)		Electric Heating Elements									
							Watts		Watts		Empty	Filled	Wall Stays (Suitable Fitting)									
							BTU's	Watts	BTU's	Watts			HAN103	HAN104	HAN205	HAN206	LD055	LD056	RTO035	1200W Output	1500W Output	2000W Output
LD232/233	560	185	400	110	205	73	288	85	361	106	8.0	9.5	✓	✓	✓	✓	✓	✓	✓	8 (14‡)	9 (18‡)	9 (24‡)
TBK088/089	960	185	790	110	205	76	489	143	616	181	16.6	19.4	✓	✓	✓	✓	✓	✓	✓	7 (8‡)	8 (10‡)	9 (14‡)

(Electric Heating Elements) ‡Denotes the minimum number of sections required to achieve maximum heat output for the heating element. For the full range/finishes of electric heating elements, see page 75



The Rococo 2 Column



Antiqued Hammered Gold



Hand Burnished
Height 460mm

More paint finishes on page 3

The Rococo 3 Column

With elegant French styling featuring a decorative eared scroll top, the Rococo offers our largest range of models of one design.

With 6 models across the range, the Rococo cast iron radiator comes in a choice of 660mm and 950mm single columns, ideal for narrow spaces such as hallways, 560mm and 960mm 2 columns and 460mm and 780mm 3 columns, great for when heating larger rooms.

With such variety available, this allows the option to complete a whole project with one radiator style.

Bring out the beauty of the decoration by utilising the burnished or patina finishes.



Highlight Polish
Height 780mm
3 Columns



Antiqued French Grey
Height 780mm
3 Columns



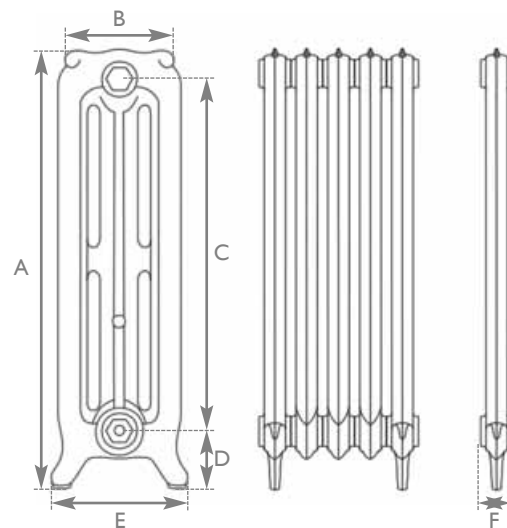
F&B Brassica
Height 460mm
3 Columns



Parchment White
Height 460mm
3 Columns



Hand Burnished



Code	Section Height A (mm)	Section Width B (mm)	Section Height C (mm)	Section Height D (mm)	Section Width E (mm)	Section Depth F (mm)	Delta 50		Delta 60		Weight (Kg)		Electric Heating Elements								
							Wall Stays (Suitable Fitting)		1200W Output		1500W Output		2000W Output								
							BTU's	Watts	BTU's	Watts	Empty	Filled	HAN103	HAN104	HAN205	HAN206	LD055	LD056	RTO035	Min sections	Min sections
TBK065/066	460	225	280	110	250	75	289	85	362	106	9.6	10.7	✓	✓	✓	✓	✓	✓	8 (14‡)	8 (18‡)	9 (24‡)
LD030/031*	780	225	600	110	250	66	467	137	592	174	15.2	17	✓	✓	✓	✓	✓	✓	9 (9‡)	9 (11‡)	10 (15‡)

(Electric Heating Elements) ‡Denotes the minimum number of sections required to achieve maximum heat output for the heating element. For the full range/finishes of electric heating elements, see page 75
*With decoration on front



The Rococo 3 Column



Antiqued Parchment White



Hammered Gold
Height 675mm

More paint finishes on page 3

The Chelsea

The design was originally commissioned for Chelsea Barracks officers mess, circa 1900. The Chelsea cast iron radiator is elaborately decorated with a flowing leaf design and embellished with a rose detail on the both the outer leg sections and the inlet bushings. Selecting an antique patina or the highlight polish can be used to further enhance this unique cast iron radiator.

This unusual design would make a statement in any room and with a height of 675mm would fit under most window sills.

For our full range of accessories including **valves**, **wall stays** and **bleed nipples** see pages 68-75.

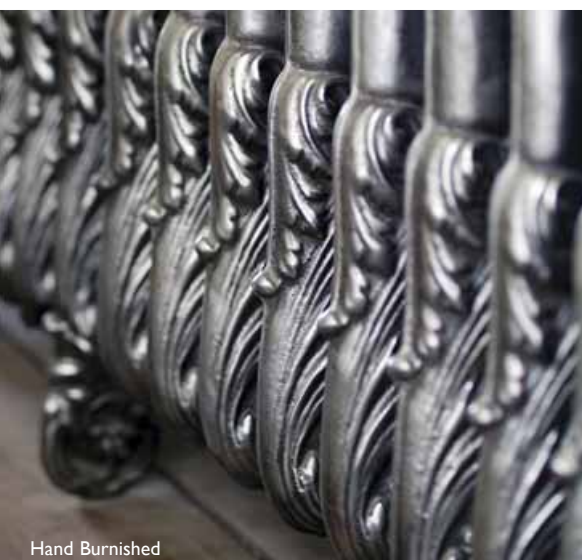


Highlight Polish
Height 675mm

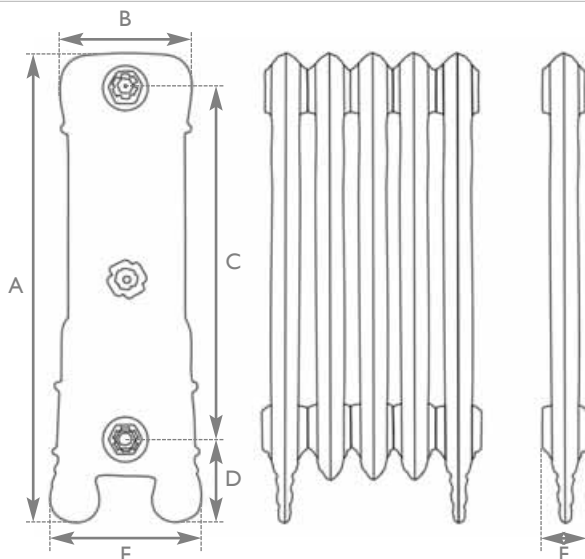
F&B Pavilion Gray
Height 675mm

F&B Oval Room
Blue
Height 675mm

Roberson
Regency Gold
Height 675mm



Hand Burnished



Code	Section Height A (mm)	Section Width B (mm)	Section Height C (mm)	Section Height D (mm)	Section Width E (mm)	Section Depth F (mm)	Delta 50		Delta 60		Weight (Kg)		Wall Stays (Suitable Fitting)						Electric Heating Elements			
							BTU's	Watts	BTU's	Watts	Empty	Filled	HAN103	HAN104	HAN205	HAN206	LD055	LD056	RTO035	1200W Output	1500W Output	2000W Output
																				Min sections	Min sections	Min sections
LD063/064	675	195	500	125	220	66	338	99	426	125	13.3	14.8	✓	✓	✓	✓	X	✓	✓	9 (12‡)	9 (15‡)	10 (20‡)

(Electric Heating Elements) ‡Denotes the minimum number of sections required to achieve maximum heat output for the heating element. For the full range/finishes of electric heating elements, see page 75



The Chelsea





F&B Down Pipe



Hand Burnished
Height 980mm

The Orleans

The fluid lines inspired by the Art Nouveau movement ensure this cast iron radiator will make a statement in any room. With a height of 980mm, this impressive radiator provides an exceptional heat output of 468 BTU's per section making it the perfect choice for heating larger spaces. This model can be used as either floor standing or wall mounted.

Accentuate the detail further by choosing from our antiqued patina finish or the extravagant hand burnished.

Carron cast iron radiators include **FREE UK Mainland delivery** (Minimum spend and T&Cs apply)

More paint finishes on page 3



Antiqued
Hammered Gold
Height 980mm



F&B Shadow White
Height 980mm



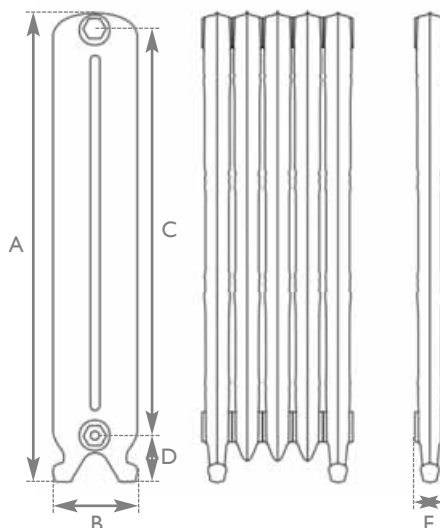
Roberson
Steel Grey
Height 980mm



Vellum
Height 980mm

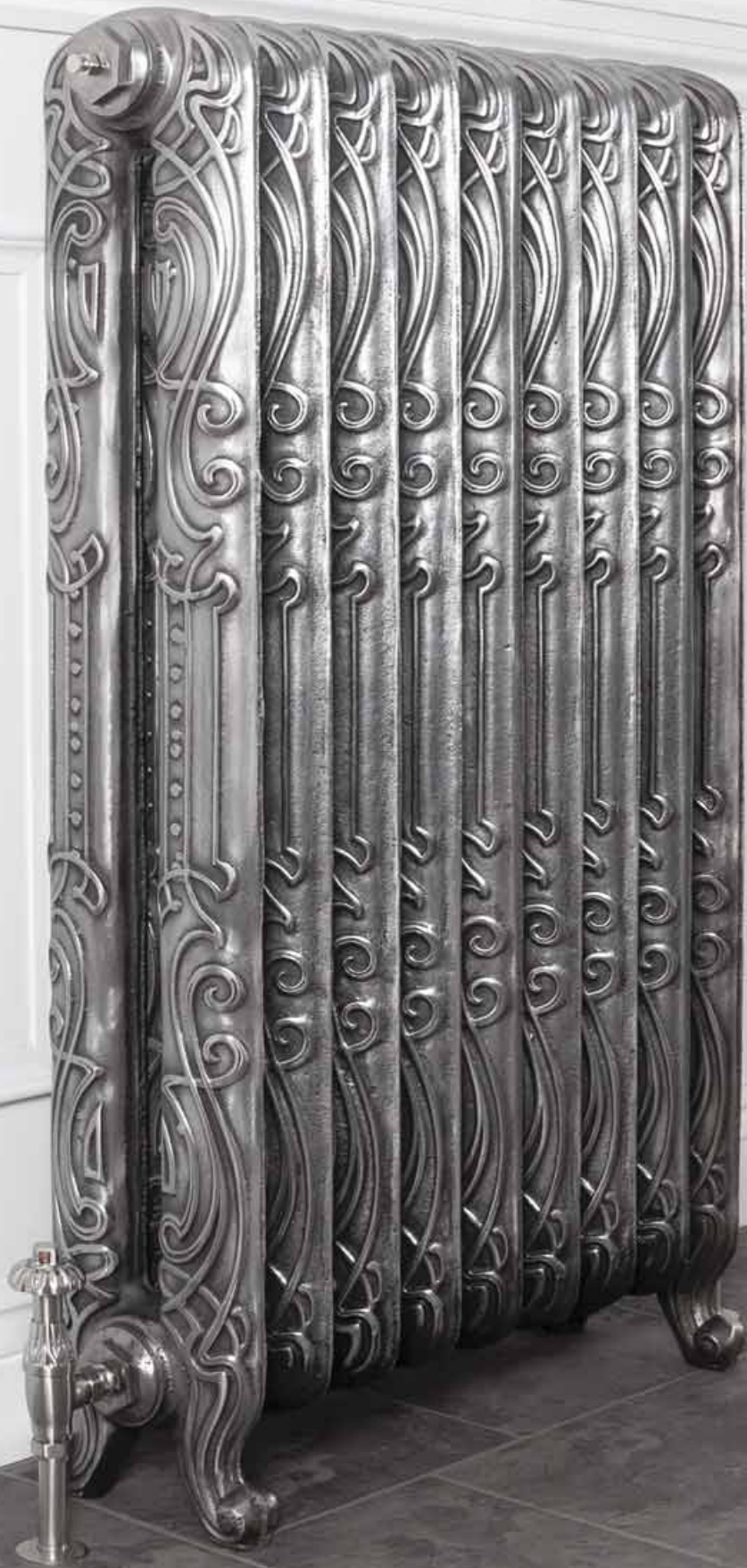


Highlight Polish



Code	Section Height A (mm)	Section Width B (mm)	Section Height C (mm)	Section Height D (mm)	Section Width E (mm)	Delta 50		Delta 60		Weight (Kg)		Wall Stays (Suitable Fitting)					Electric Heating Elements				
						BTU's	Watts	BTU's	Watts	Empty	Filled	HAN103	HAN104	HAN205	HAN206	LD055	LD056	RTO035	1200W Output	1500W Output	2000W Output
																		Min sections	Min sections	Min sections	
LD236/237	980	175	840	100	65	468	137	593	174	17.3	20.0	✓	✓	✓	✓	✓	✓	X	9 (9‡)	9 (11‡)	10 (15‡)

(Electric Heating Elements) ‡Denotes the minimum number of sections required to achieve maximum heat output for the heating element. For the full range/finishes of electric heating elements, see page 75



The Orleans



Satin Polished



F&B Parma Gray
Height 765mm

The Tuscany

The subtle pattern detail with symmetrical vertical lines, create a contemporary feel to the Tuscany cast iron radiator. The concave section profile and the curvature of the top makes this suitable for both modern and period settings. Suiting the darker range of the paint palette, this elegant cast iron radiator would prove a great addition to any room.

This radiator can be either floor standing or wall mounted, available in a height of 765mm commanding a BTU output of 372 per section.

Follow Us On Social Media



More paint finishes on page 3



F&B Mouse's Back
Height 765mm

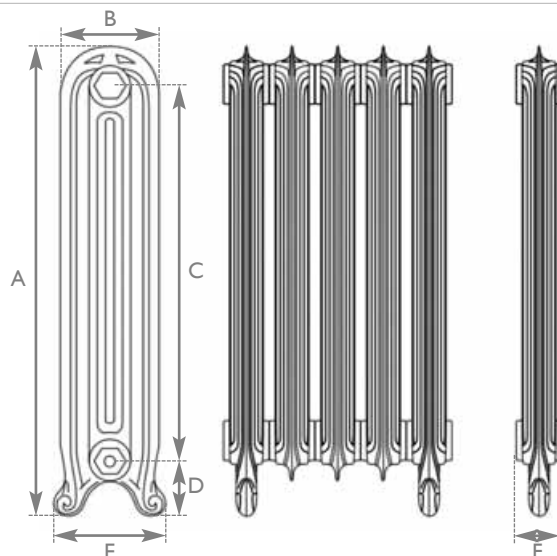
Antiqued
French Grey
Height 765mm

Hammered Bronze
Height 765mm

Roberson
Warm Platinum
Height 765mm



F&B Brassica



Code	Section Height A (mm)	Section Width B (mm)	Section Height C (mm)	Section Height D (mm)	Section Width E (mm)	Section Depth F (mm)	Delta 50		Delta 60		Weight (Kg)		Wall Stays (Suitable Fitting)						Electric Heating Elements			
							BTU's	Watts	BTU's	Watts	Empty	Filled	HAN103	HAN104	HAN205	HAN206	LD055	LD056	RTO035	1200W Output	1500W Output	2000W Output
																				Min sections	Min sections	Min sections
TBK040/041	765	160	600	100	180	77	372	109	468	137	8.6	10.4	✓	✓	✓	✓	✓	✓	✓	8 (11‡)	8 (14‡)	9 (18‡)

(Electric Heating Elements) ‡Denotes the minimum number of sections required to achieve maximum heat output for the heating element. For the full range/finishes of electric heating elements, see page 75



The Tuscany

The Vertical Enderby (Steel Radiators)

The Enderby (Steel Radiators)



TOW205
Incarnadine
Height 1910mm
2 Columns, 6 sections



TOW206
Stiffkey Blue
Height 1910mm
2 Columns, 8 sections



TOW207
Mizzle
Height 1910mm
2 Columns, 10 sections



TOW213
Mole's Breath
Height 1910mm
3 Columns, 6 sections



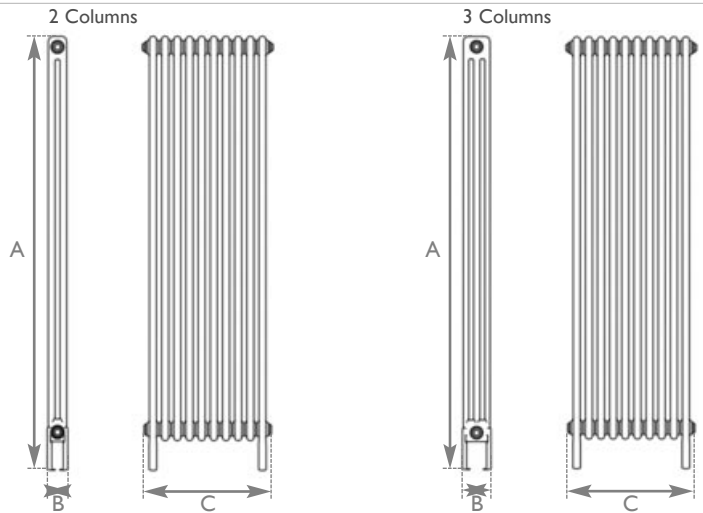
TOW214
All White
Height 1910mm
3 Columns, 8 sections



TOW215
Oval Room Blue
Height 1910mm
3 Columns, 10 sections



French Grey
3 Columns



Code	Number of Columns	Number of Sections	Height A (mm)	Depth B (mm)	Width C (mm)	Inlet Size	Delta 50		Delta 60		Weight (Kg)		Wall Stays (Suitable Fitting)						
							BTU's	Watts	BTU's	Watts	Empty	Filled	HAN103	HAN104	HAN205	HAN206	LD055	LD056	RTO035
TOW205	2	6	1910	68	284	15mm / 1/2"	2571	754	3250	953	20.2	29.2	✓	✓	✓	✓	✓	X	X
TOW206	2	8	1910	68	372	15mm / 1/2"	3431	1006	4337	1272	27.0	39.0	✓	✓	✓	✓	✓	X	X
TOW207	2	10	1910	68	460	15mm / 1/2"	4286	1257	5418	1589	33.7	48.7	✓	✓	✓	✓	✓	X	X
TOW213	3	6	1910	100	287	15mm / 1/2"	3219	944	4069	1193	30.1	43.3	✓	✓	✓	✓	✓	X	X
TOW214	3	8	1910	100	376	15mm / 1/2"	4293	1259	5426	1591	40.2	57.7	✓	✓	✓	✓	✓	X	X
TOW215	3	10	1910	100	465	15mm / 1/2"	5367	1574	6784	1990	50.2	72.1	✓	✓	✓	✓	✓	X	X

AVAILABLE IN OVER
2,000 COLOURS
AVAILABLE IN OVER

The Enderby (Steel Radiators)



The Enderby (Steel Radiators) - Up To 65% Lighter Than Cast Iron Radiators



TOW200 Salon Drab
Height 710mm
2 Columns, 10 sections



TOW201 Pavilion Blue
Height 710mm
2 Columns, 13 sections



TOW202 Mole's Breath
Height 710mm
2 Columns, 17 sections



TOW203 Satin Black
Height 710mm
2 Columns, 22 sections



TOW204 Dix Blue
Height 710mm
2 Columns, 26 sections



TOW208
Inchyra Blue
Height 710mm
3 Columns, 10 sections



TOW209
Bone
Height 710mm
3 Columns, 13 sections



TOW210
Parchment White
Height 710mm
3 Columns, 17 sections



TOW211
Elephant's Breath
Height 710mm
3 Columns, 22 sections

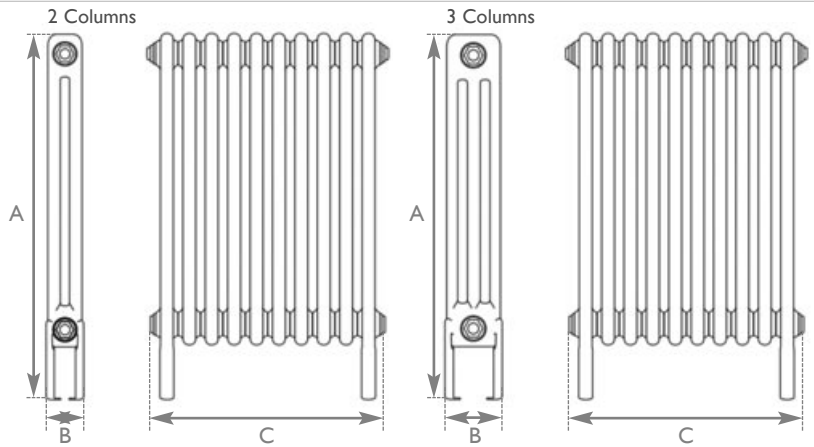


TOW212
Lamp Room Gray
Height 710mm
3 Columns, 26 sections

The Enderby (Steel Radiators)



Parchment White
2 Columns



Code	Number of Columns	Number of Sections	Height A (mm)	Depth B (mm)	Width C (mm)	Inlet Size	Delta 50		Delta 60		Weight (Kg)		Wall Stays (Suitable Fitting)						Electric Heating Element 1200W Output	
							BTU's	Watts	BTU's	Watts	Empty	Filled	HAN103	HAN104	HAN205	HAN206	LD055	LD056		RTO035
TOW200	2	10	710	68	460	15mm / 1/2"	1582	464	2000	586	12.7	18.3	✓	✓	✓	✓	✓	X	X	✓
TOW201	2	13	710	68	592	15mm / 1/2"	2056	603	2599	762	16.5	23.8	✓	✓	✓	✓	✓	X	X	✓
TOW202	2	17	710	68	768	15mm / 1/2"	2687	788	3396	996	21.6	31.2	✓	✓	✓	✓	✓	X	X	✓
TOW203	2	22	710	68	988	15mm / 1/2"	3478	1020	4396	1289	27.9	40.3	✓	✓	✓	✓	✓	X	X	✓
TOW204	2	26	710	68	1164	15mm / 1/2"	4109	1205	5194	1523	33.0	47.7	✓	✓	✓	✓	✓	X	X	✓
TOW208	3	10	710	100	465	15mm / 1/2"	1947	571	2461	722	16.3	24.4	✓	✓	✓	✓	✓	X	X	X
TOW209	3	13	710	100	599	15mm / 1/2"	2534	743	3203	939	21.2	31.8	✓	✓	✓	✓	✓	X	X	✓
TOW210	3	17	710	100	777	15mm / 1/2"	3311	971	4185	1227	27.7	41.5	✓	✓	✓	✓	✓	X	X	✓
TOW211	3	22	710	100	999	15mm / 1/2"	4286	1257	5418	1589	35.9	53.7	✓	✓	✓	✓	✓	X	X	✓
TOW212	3	26	710	100	1177	15mm / 1/2"	5064	1485	6401	1877	42.4	63.5	✓	✓	✓	✓	✓	X	X	✓



TOW216
Brassica
Height 710mm
4 Columns, 10 sections



TOW217
French Gray
Height 710mm
4 Columns, 13 sections



TOW218
Railings
Height 710mm
4 Columns, 17 sections

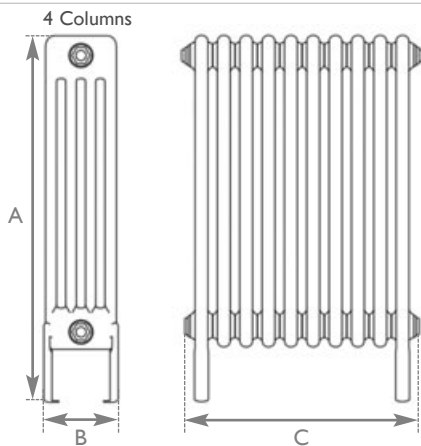


TOW219
Pavilion Gray
Height 710mm
4 Columns, 22 sections



TOW220
Incarnadine
Height 710mm
4 Columns, 26 sections

The Enderby (Steel Radiators)



Available In Over 2,000 Painted Colours

Upto 65% lighter than cast iron radiators, the Enderby steel radiators are ideal for projects where weight is a crucial factor.

All steel radiators come with a **5 year guarantee** and **Free UK Mainland Delivery** (T&Cs Apply)

Steel radiators can be painted in **over 2,000 colours** from the RAL and Cromadex with a colour match service available.

Code	Number of Columns	Number of Sections	Height A (mm)	Depth B (mm)	Width C (mm)	Inlet Size	Delta 50		Delta 60		Weight (Kg)		Wall Stays (Suitable Fitting)						Electric Heating Element 1200W Output	
							BTU's	Watts	BTU's	Watts	Empty	Filled	HANI03	HANI04	HAN205	HAN206	LD055	LD056		RTO035
TOW216	4	10	710	140	460	15mm / 1/2"	2472	725	3125	916	23.5	35.0	✓	✓	✓	✓	X	X	X	✓
TOW217	4	13	710	140	592	15mm / 1/2"	3214	943	4062	1192	30.6	45.5	✓	✓	✓	✓	X	X	X	✓
TOW218	4	17	710	140	768	15mm / 1/2"	4203	1233	5313	1559	40.0	59.5	✓	✓	✓	✓	X	X	X	✓
TOW219	4	22	710	140	988	15mm / 1/2"	5439	1595	6875	2016	51.8	77.0	✓	✓	✓	✓	X	X	X	✓
TOW220	4	26	710	140	1164	15mm / 1/2"	6428	1885	8125	2383	61.2	91.0	✓	✓	✓	✓	X	X	X	✓



TOW101 Welbourne
Chrome Finish Towel Radiator
With 8 White Steel Radiator Sections



TOW107 Broughton
Chrome Finish Towel Radiator
With 6 Victorian Cast Iron Radiator Sections
(Shown in F&B Lamp Room Gray)



TOW108 Broughton
Copper Finish Towel Radiator
With 6 Victorian Cast Iron Radiator Sections
(Shown in Buttermilk)

Towel Radiators

Influenced by original Victorian designs, these towel rails are available in a high quality chrome or copper finish.

They come with an integral radiator in cast iron or steel options, offering an attractive and efficient bathroom solution.

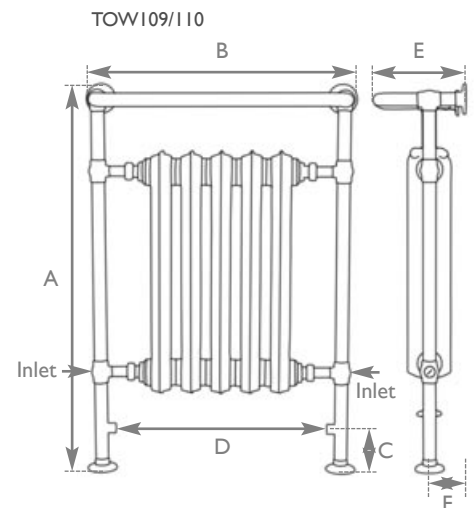
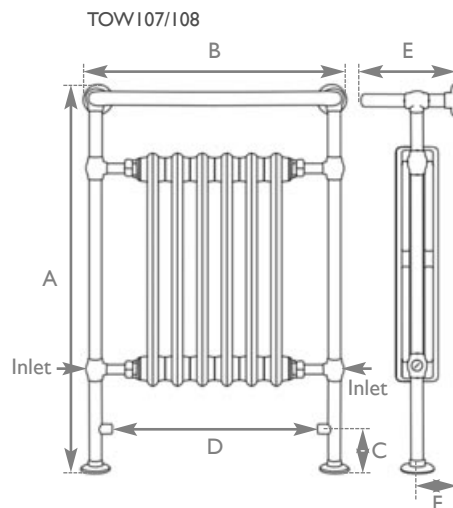
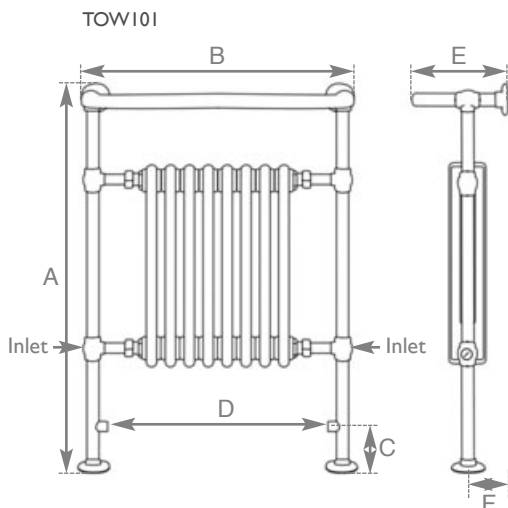
These copper plated towel rails are supplied un-lacquered. You can leave the surface to naturally tarnish over a period of use/time, or maintain the finish using a metal polish. We would recommend Autosol metal polish as being a suitable product to achieve this.



TOW109 Wilsford
Chrome Finish Towel Radiator
With 5 Rococo Cast Iron Radiator Sections
(Shown In Foundry Grey)



TOW110 Wilsford
Copper Finish Towel Radiator
With 5 Rococo Cast Iron Radiator Sections
(Shown In Hammered Bronze)



Code/Finish		Description	Height A (mm)	Width B (mm)	Inlet Pipe Centre Height C (mm)	Inlet Pipe Width D (mm)	Depth From Wall E (mm)	Inlet Pipe Centre Of Wall Width F (mm)	Dual Fuel Compatible	Inlet Size	Delta 50		Delta 60	
Copper	Chrome										BTU's	Watts	BTU's	Watts
N/A	TOW101	Floor Mounted Towel Radiator	960	670	105	530	235	90	✓	15mm / 1/2"	2944	862	3730	1093
	TOW108	Floor Mounted Towel Radiator	965	675	105	528	250	100	✓	15mm / 1/2"	1900	557	2407	705
	TOW110	Floor Mounted Towel Radiator	965	675	105	528	250	100	✓	15mm / 1/2"	1776	520	2250	659

TOW107F & TOW109F have Hand Burnished integral cast iron radiator sections



Towel Radiators



TOW133 Winthorpe
Chrome Finish Towel Rail
Also Available: TOW134
Copper Finish Towel Rail



TOW106
Beckingham
Copper Finish Towel Rail



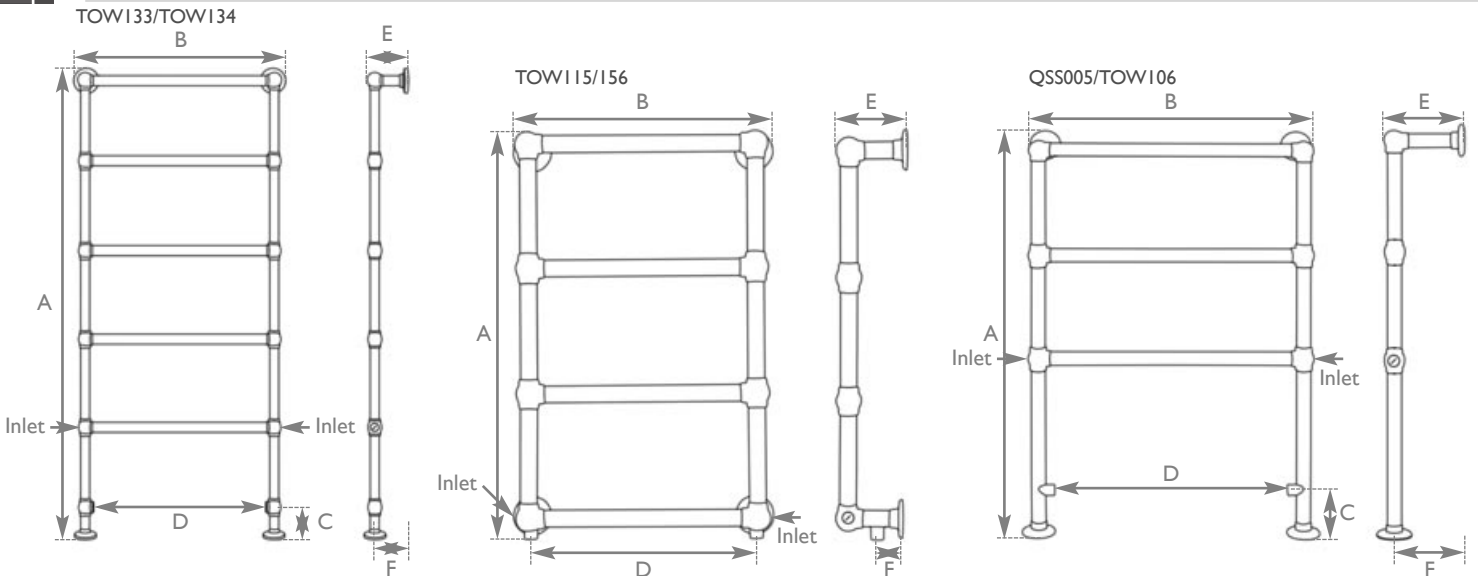
QSS005
Beckingham
Chrome Finish Towel Rail



TOW156
Bassingham
Copper Finish Towel Rail



TOW115
Bassingham
Chrome Finish Towel Rail



Code/Finish		Description	Height A (mm)	Width B (mm)	Inlet Pipe Centre Height C (mm)	Inlet Pipe Width D (mm)	Depth From Wall E (mm)	Inlet Pipe Centre Of Wall Width F (mm)	Dual Fuel Compatible	Inlet Size	Delta 50		Delta 60	
Copper	Chrome										BTU's	Watts	BTU's	Watts
TOW134	TOW133	5 Bar Floor Mounted Towel Rail	1550	600	100	454	130	105	✓	15mm / 1/2"	907	266	1142	335
TOW106	QSS005	3 Bar Floor Mounted Towel Rail	965	670	105	525	115	105	✓	15mm / 1/2"	412	120	527	154
TOW156	TOW115	4 Bar Wall Mounted Towel Rail	770	500	N/A	425	130	50	✓	15mm / 1/2"	407	119	521	153



Towel Rails

Chrome Finish



The Colossus

An ample framed towel rail, its design is a classic style but with striking knuckles and it boasts 40mm wide tubing that gives it a grand and impressive feel.

The bigger dimensions result in an increased heat output and it is dual fuel compatible.

Carron Towel Rails include **FREE UK Mainland delivery** (Minimum spend and T&Cs apply)

Follow Us On Social Media



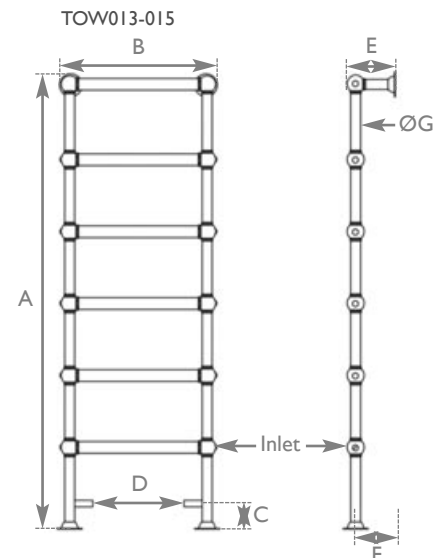
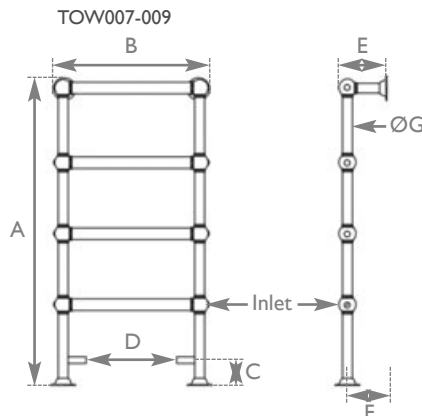
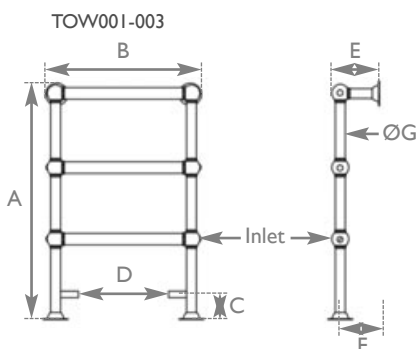
TOW015
Colossus
Nickel Finish Towel Rail



TOW001
Colossus
Copper Finish Towel Rail



TOW008
Colossus
Chrome Finish Towel Rail



Code/Finish			Description	Height A (mm)	Width B (mm)	Inlet Pipe Centre Height C (mm)	Inlet Pipe Width D (mm)	Depth From Wall E (mm)	Inlet Pipe Centre Of Wall Width F (mm)	Diameter G (mm)	Dual Fuel Compatible	Inlet Size	Delta 50		Delta 60	
Copper	Chrome	Nickel											BTU's	Watts	BTU's	Watts
TOW001	TOW002	TOW003	3 Bar Floor Mounted Towel Rail	1000	650	105	380	200	150	40	✓	15mm / 1/2"	558	163	714	209
TOW007	TOW008	TOW009	4 Bar Floor Mounted Towel Rail	1300	650	105	380	200	150	40	✓	15mm / 1/2"	717	209	918	268
TOW013	TOW014	TOW015	6 Bar Floor Mounted Towel Rail	1800	650	105	380	200	150	40	✓	15mm / 1/2"	985	288	1261	369



The Colossus



Left:
Chrome Finish



TOW032 Colossus
Chrome Finish Towel Rail



TOW027 Colossus
Nickel Finish Towel Rail

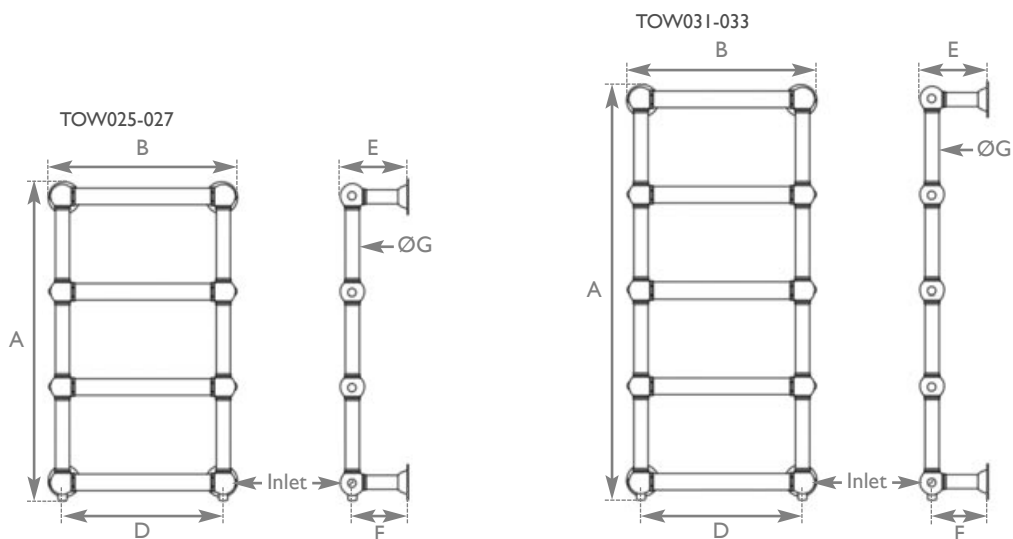


The Colossus

Left:
Chrome Finish



TOW019 Colossus
Copper Finish Towel Rail

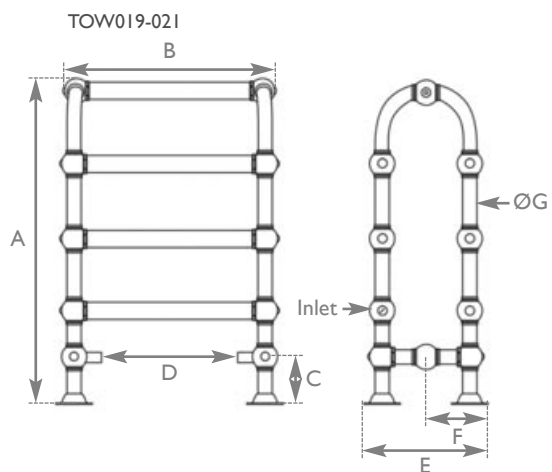


Code/Finish			Description	Height A (mm)	Width B (mm)	Inlet Pipe Centre Height C (mm)	Inlet Pipe Width D (mm)	Depth From Wall E (mm)	Inlet Pipe Centre Of Wall Width F (mm)	Diameter G (mm)	Dual Fuel Compatible	Inlet Size	Delta 50		Delta 60	
Copper	Chrome	Nickel											BTU's	Watts	BTU's	Watts
TOW025	TOW026	TOW027	4 Bar Wall Mounted Towel Rail	1000	600	N/A	500	186	150	40	✓	15mm / 1/2"	673	198	862	253
TOW031	TOW032	TOW033	5 Bar Wall Mounted Towel Rail	1300	600	N/A	500	186	150	40	✓	15mm / 1/2"	824	241	1055	309



The Colossus

TOW020 Colossus Horse Chrome Finish Towel Rail



Code/Finish			Description	Height A (mm)	Width B (mm)	Inlet Pipe Centre Height C (mm)	Inlet Pipe Width D (mm)	Depth From Wall E (mm)	Inlet Pipe Centre Of Wall Width F (mm)	Diameter G (mm)	Dual Fuel Compatible	Inlet Size	Delta 50	Delta 60		
Copper	Chrome	Nickel											BTU's	Watts	BTU's	Watts
TOW019	TOW020	TOW021	7 Bar Horse Towel Rail	935	625	130	370	350	180	40	✓	15mm / 1/2"	1264	370	1618	474



HAN017



HAN017
Daisy Wheel Manual Valve
Antiqued Brass Finish, 15mm Inlet,
3/4" Radiator Bush Required



HAN014
Daisy Wheel Manual Valve
Brass Finish, 15mm Inlet,
3/4" Radiator Bush Required

Valves

Select from over 15 manual valves in a variety of finishes including Antique Brass, Black Nickel, Satin Nickel, Chrome and Brass. Also available with the added advantage of a thermostatic feature on the 'Crocus and Kingsgrove' styles.

Matching pipe shrouds are also available to match the finish of the valve and are finished in Antique Brass, Black Nickel, Satin Nickel, Chrome and Brass.

All valves have a **3 year guarantee**.

Follow Us On Social Media



HAN002
Kingsgrove Thermostatic Valve
Brass Finish, 15mm Inlet,
1/2" Radiator Bush Required



HAN001
Kingsgrove Thermostatic Valve
Chrome Finish, 15mm Inlet,
1/2" Radiator Bush Required



LD090



LD090
Brumpton Manual Valve
Brass Finish, 15mm Inlet,
1/2" Radiator Bush Required



LD091
Brumpton Manual Valve
Chrome Finish, 15mm Inlet,
1/2" Radiator Bush Required



HAN016
Daisy Wheel Manual Valve
Satin Nickel Finish, 15mm Inlet,
3/4" Radiator Bush Required



HAN015
Daisy Wheel Manual Valve
Chrome Finish, 15mm Inlet,
3/4" Radiator Bush Required



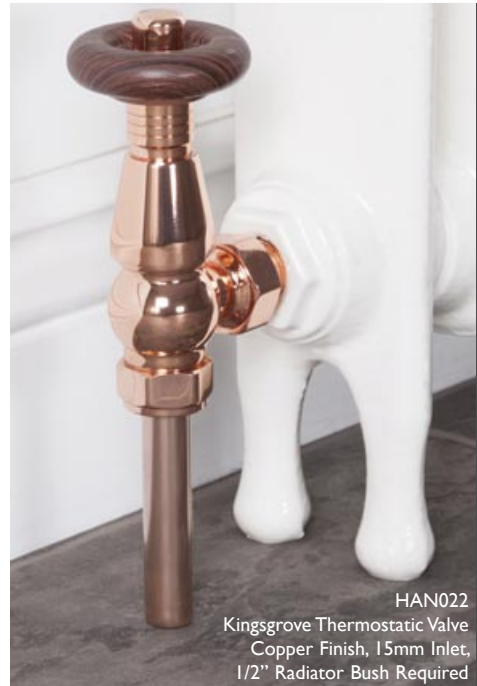
HAN016



HAN021
Kingsgrove Thermostatic Valve
Satin Nickel Finish, 15mm Inlet,
1/2" Radiator Bush Required



HAN020
Kingsgrove Thermostatic Valve
Antiqued Brass Finish, 15mm Inlet,
1/2" Radiator Bush Required



HAN022
Kingsgrove Thermostatic Valve
Copper Finish, 15mm Inlet,
1/2" Radiator Bush Required

Valves



LD117
Telford Manual Valve
Satin Nickel Finish, 15mm Inlet,
1/2" Radiator Bush Required



LD116
Telford Manual Valve
Chrome Finish, 15mm Inlet,
1/2" Radiator Bush Required



LD116



HAN004



HAN004
Crocus Wheel Thermostatic Valve
Antiqued Brass Finish, 15mm Inlet,
1/2" Radiator Bush Required



HAN003
Crocus Wheel Thermostatic Valve
Black Nickel Finish, 15mm Inlet,
1/2" Radiator Bush Required



HAN010



QSS044
Crocus Wheel Manual Valve
Chrome Finish, 15mm Inlet,
1/2" Radiator Bush Required



HAN010
Crocus Wheel Manual Valve
Satin Nickel Finish, 15mm Inlet,
1/2" Radiator Bush Required



HAN012
Towel Rail Manual Valve
Chrome Finish, 15mm Inlet,
1/2" Radiator Bush Required



HAN013
Towel Rail Manual Valve
Copper Finish, 15mm Inlet,
1/2" Radiator Bush Required



HAN011
Towel Rail Manual Valve
Nickel Finish, 15mm Inlet,
1/2" Radiator Bush Required



HAN023
Crocus Wheel Thermostatic Valve
Chrome Finish, 15mm Inlet,
1/2" Radiator Bush Required



HAN005
Crocus Wheel Thermostatic Valve
Satin Nickel Finish, 15mm Inlet,
1/2" Radiator Bush Required



HAN023



QSS046
Crocus Wheel Manual Valve
Black Nickel Finish, 15mm Inlet,
1/2" Radiator Bush Required



HAN007
Crocus Wheel Manual Valve
Antiqued Brass Finish, 15mm Inlet,
1/2" Radiator Bush Required



QSS046

Valves

Pipe Sleeve & Floor Plate Kits (Sold as Pairs)



HAN099
Pipe Sleeve Kit
130mm Pipe (Height)
To Fit 15mm Pipe
Antiqued Brass Finish



LD100
Pipe Sleeve Kit
130mm Pipe (Height)
To Fit 15mm Pipe
Brass Finish



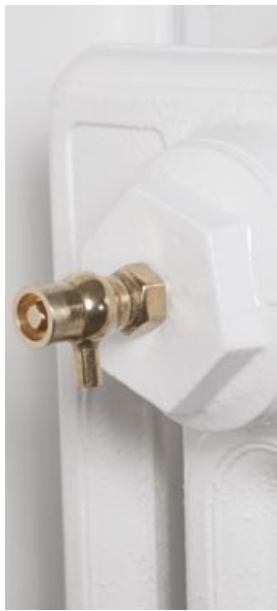
HAN018
Pipe Sleeve Kit
130mm Pipe (Height)
To Fit 15mm Pipe
Black Nickel Finish



LD101
Pipe Sleeve Kit
130mm Pipe (Height)
To Fit 15mm Pipe
Chrome Finish



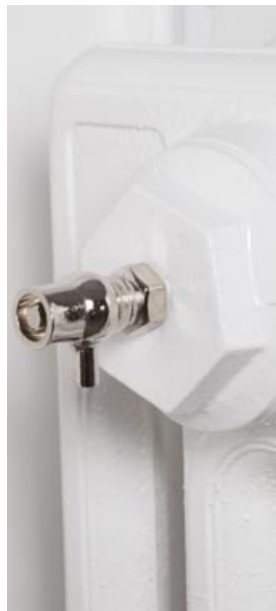
HAN017
Pipe Sleeve Kit
130mm Pipe (Height)
To Fit 15mm Pipe
Satin Nickel Finish



BWP041
Luxury Air Bleed Valve
Brass Finish



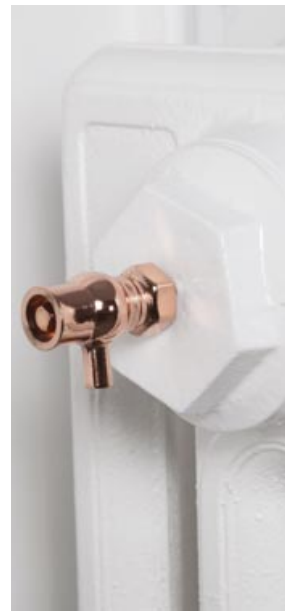
BWP042
Luxury Air Bleed Valve
Chrome Finish



BWP043
Luxury Air Bleed Valve
Polished Nickel Finish



BWP044
Luxury Air Bleed Valve
Black Nickel Finish



BWP045
Luxury Air Bleed Valve
Copper Finish



HAN084
Bleed Nipple
Brass Finish



LD110
Bleed Nipple
Satin Nickel Finish



LD111
Bleed Nipple
Chrome Finish

Accessories

Safety Bleed Valve - For Use With Electric Heating Elements



ELE013
Safety Bleed Valve
Chrome Finish



Anthracite With Black Flex Finish



Satin With Grey Flex Finish



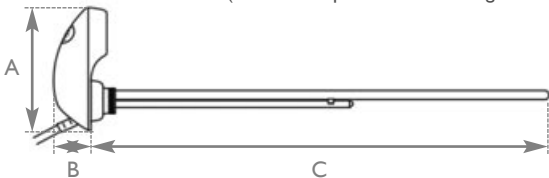
Quartz With White Flex Finish



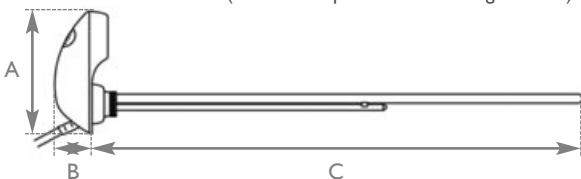
Gold With Gold Flex Finish

Heating Elements

ELE001/004/007/010 (1200W Output Electric Heating Element)



ELE002/005/008/011 (1500W Output Electric Heating Element)



ELE003/006/009/012 (2000W Output Electric Heating Element)



Code (1200W Output)	Height A (mm)	Width B (mm)	Width C (mm)	Bush Required (Inch)	Finish	Flex Finish
ELE001	125	40	470	1/2	Anthracite	Black
ELE004	125	40	470	1/2	Satin	Grey
ELE007	125	40	470	1/2	Quartz	White
ELE010	125	40	470	1/2	Gold	Gold

Code (1500W Output)	Height A (mm)	Width B (mm)	Width C (mm)	Bush Required (Inch)	Finish	Flex Finish
ELE002	125	40	520	3/4	Anthracite	Black
ELE005	125	40	520	3/4	Satin	Grey
ELE008	125	40	520	3/4	Quartz	White
ELE011	125	40	520	3/4	Gold	Gold

Code (2000W Output)	Height A (mm)	Width B (mm)	Width C (mm)	Bush Required (Inch)	Finish	Flex Finish
ELE003	125	40	570	3/4	Anthracite	Black
ELE006	125	40	570	3/4	Satin	Grey
ELE009	125	40	570	3/4	Quartz	White
ELE012	125	40	570	3/4	Gold	Gold



LD056



HAN205
Wall Stay
Stainless Steel 300mm



HAN103
Wall Stay
Stainless Steel 200mm



HAN206
Wall Stay
Solid Brass 300mm



HAN104
Wall Stay
Solid Brass 200mm



Wall Stays

Left:
RTO035



RTO035
Radiator
Wall Mounting
Bracket



LD056
Hexagon Shaft
Wall Stay
Galvanised 150mm



LD055
Square Plate
Wall Stay
Galvanised 160mm



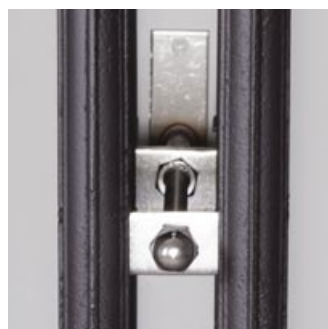
HAN206



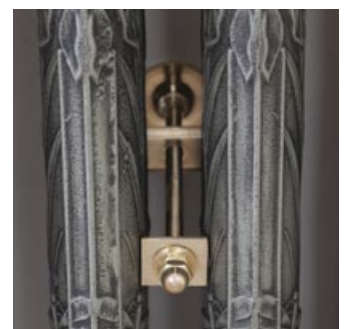
LD055



HAN103



HAN205



HAN104



Cast Iron Radiator Cover				Granite Top To Fit			
Code	Width (mm)	Depth (mm)	Height (mm)	Code	Width (mm)	Depth (mm)	Height (mm)
RX153	1790	320	850	HEF249	1830	345	30



Cast Iron Radiator Covers

RX198 & HEF253



Cast Iron Radiator Cover				Granite Top To Fit			
Code	Width (mm)	Depth (mm)	Height (mm)	Code	Width (mm)	Depth (mm)	Height (mm)
RX152	1580	320	900	HEF248	1650	355	30



RX197



RX198

Cast Iron Radiator Cover				Granite Top To Fit			
Code	Width (mm)	Depth (mm)	Height (mm)	Code	Width (mm)	Depth (mm)	Height (mm)
RX197	900	330	900	HEF252	940	355	30

Cast Iron Radiator Cover				Granite Top To Fit			
Code	Width (mm)	Depth (mm)	Height (mm)	Code	Width (mm)	Depth (mm)	Height (mm)
RX198	1010	320	850	HEF253	1030	345	30

Over **300 Stockists** Throughout The UK



Follow Us On Social Media:



Twitter



Facebook



Instagram



Pinterest

Carron
Radiators

www.carronheating.co.uk

T: 01400 263 319 | E: sales@carronheating.co.uk